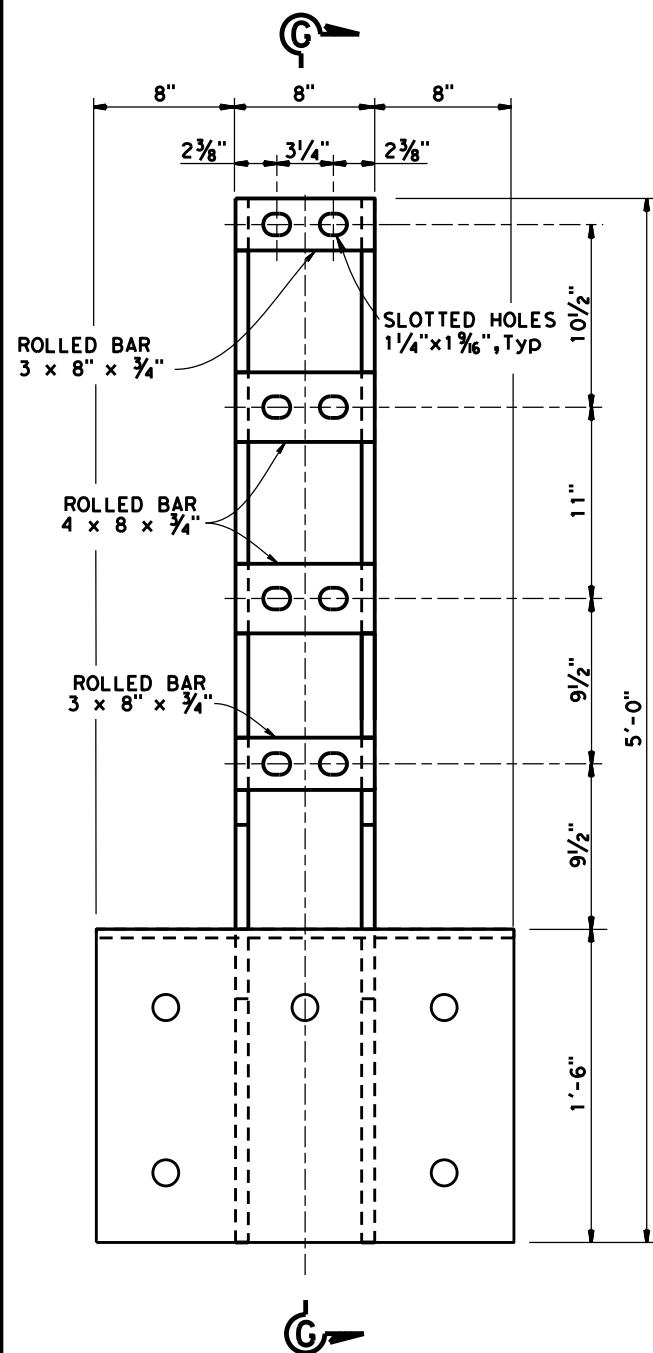


Dist	COUNTY	ROUTE	POST MILES TOTAL PROJECT	SHEET No.	TOTAL SHEETS
DDDD	CCCC	RRRR	PPPP	????	####

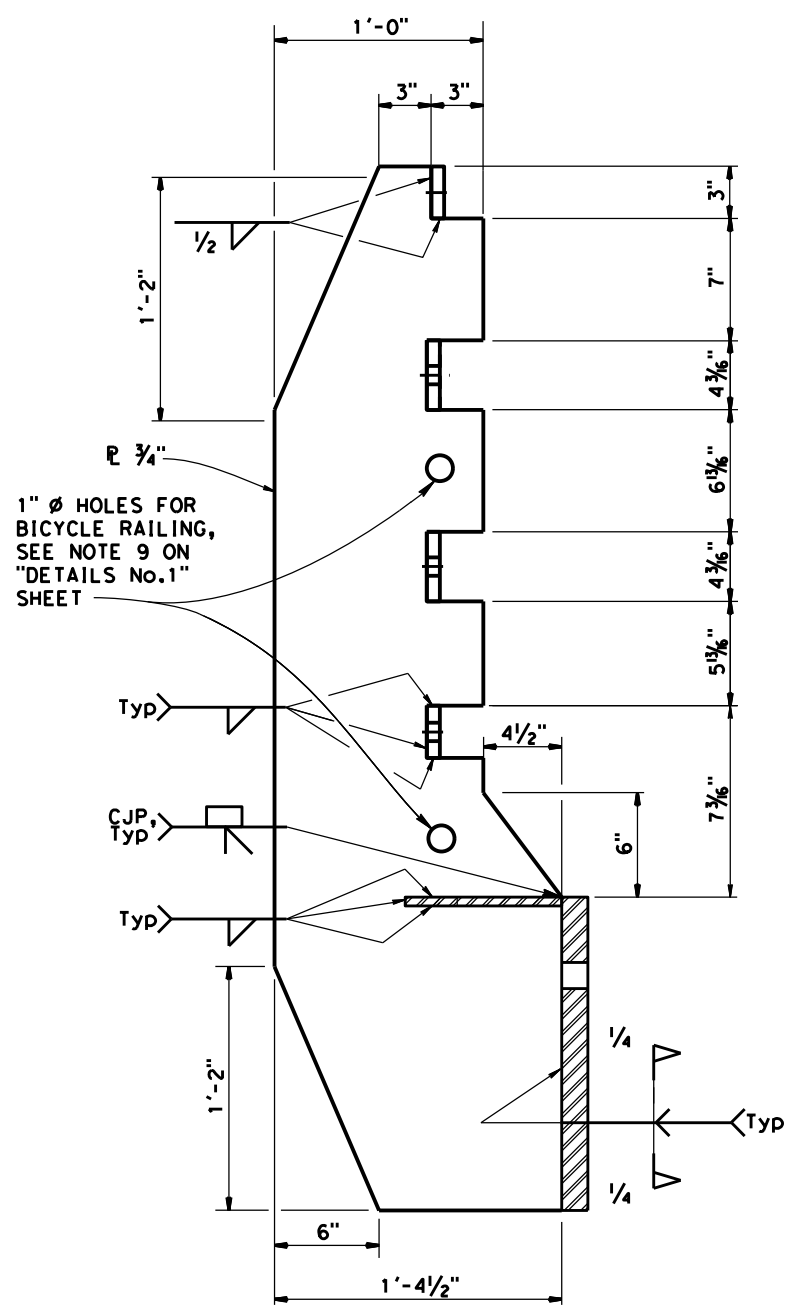
REGISTERED CIVIL ENGINEER	X
DATE	
MM/DD/YYYY	
PLANS APPROVAL DATE	

THE STATE OF CALIFORNIA OR ITS OFFICERS OR AGENTS SHALL NOT BE RESPONSIBLE FOR THE ACCURACY OR COMPLETENESS OF SCANNED COPIES OF THIS PLAN SHEET.

THE REGISTERED CIVIL ENGINEER FOR THE PROJECT IS RESPONSIBLE FOR THE SELECTION AND PROPER APPLICATION OF THE COMPONENT DESIGN AND ANY MODIFICATIONS SHOWN.

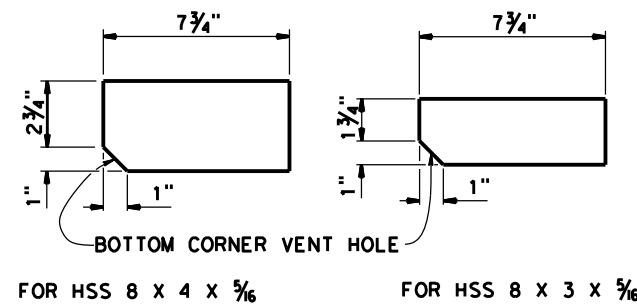


ELEVATION

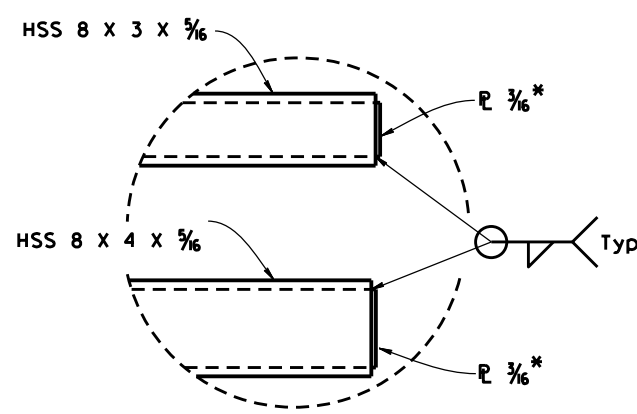


SECTION G-G

POST DETAILS

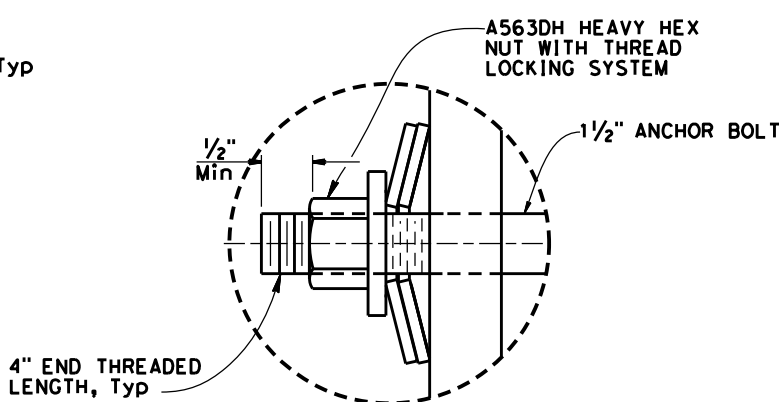


CAP PLATE DETAILS



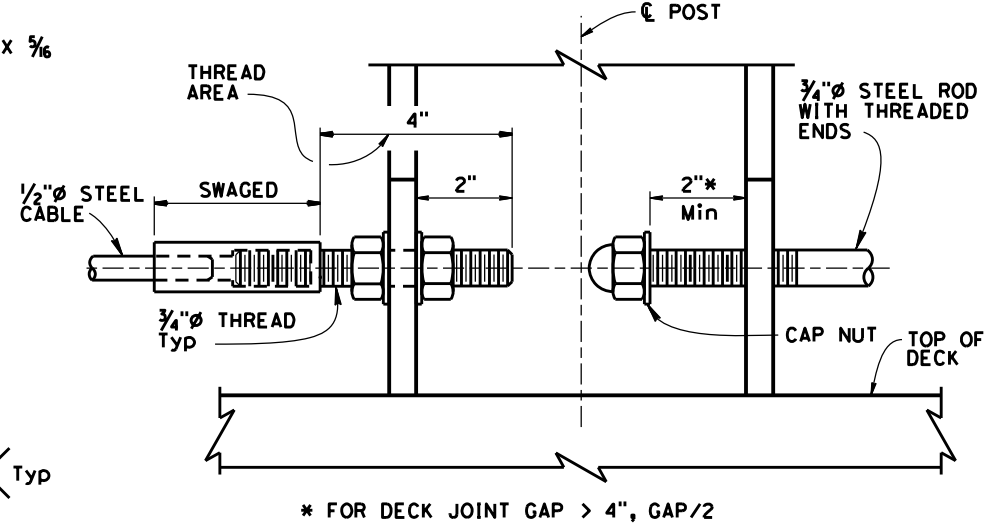
RAIL END DETAILS

* SEE "CAP PLATE DETAILS"



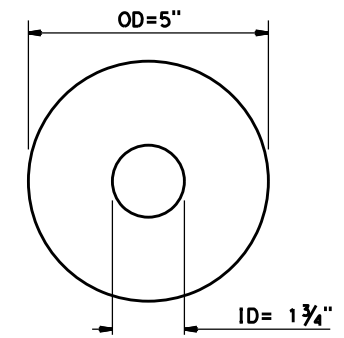
DETAIL X

NOTE: Disc springs shall be pretensioned to total 10,000 lbs

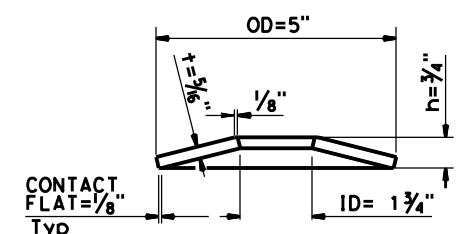


CABLE END DETAIL

* FOR DECK JOINT GAP > 4", GAP/2



PLAN



ELEVATION

DISK SPRING DETAIL

NO SCALE

BRIDGE STANDARD DETAILS			COPYRIGHT 2016 CALIFORNIA DEPARTMENT OF TRANSPORTATION ALL RIGHTS RESERVED	STATE OF CALIFORNIA DEPARTMENT OF TRANSPORTATION	DIVISION OF ENGINEERING SERVICES	BRIDGE No.	CALIFORNIA ST-70SM SIDE MOUNTED BRIDGE RAIL
x816-115-4	October 2019	X				DETAILS No. 4	
The components of the Bridge Standard Details have been prepared under the responsible charge of the technical staff, a registered civil engineer in the State of California.			DATE PLOTTED => #DATE	TIME PLOTTED => #TIME	ORIGINAL SCALE IN INCHES FOR REDUCED PLANS	UNIT: 3619	DISREGARD PRINTS BEARING EARLIER REVISION DATES
			FILE => #REQUEST	USERNAME => #USER	0 1 2 3	PROJECT NUMBER & PHASE: X	CONTRACT No.: X
							REVISION DATES
							3-3-18 03-14-19 10-2-18
							SHEET 4 OF 4