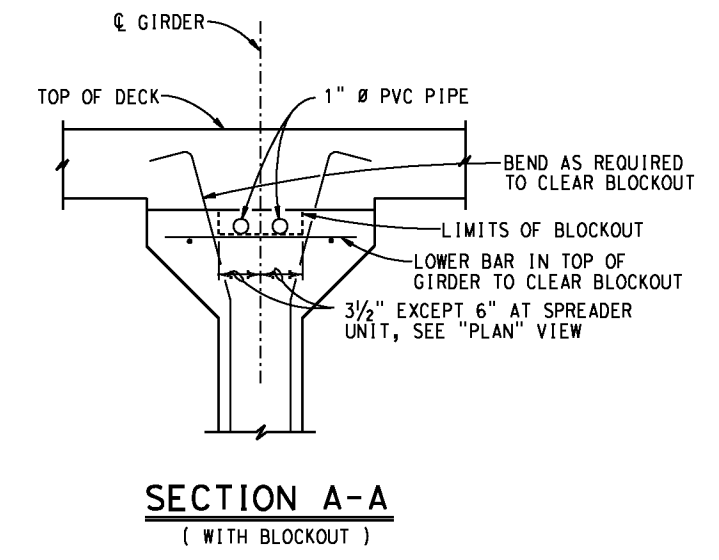
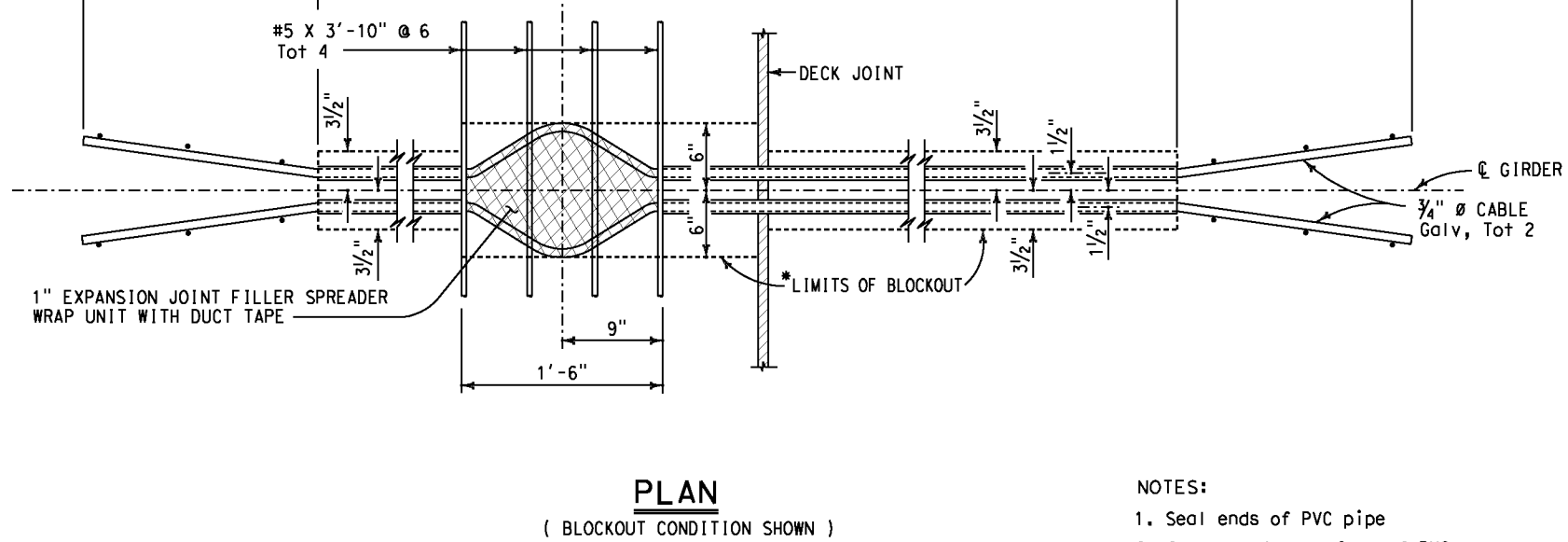
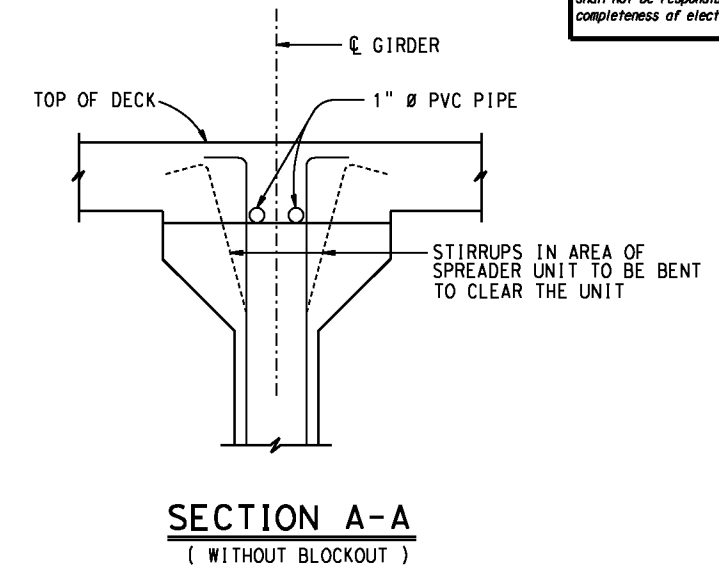
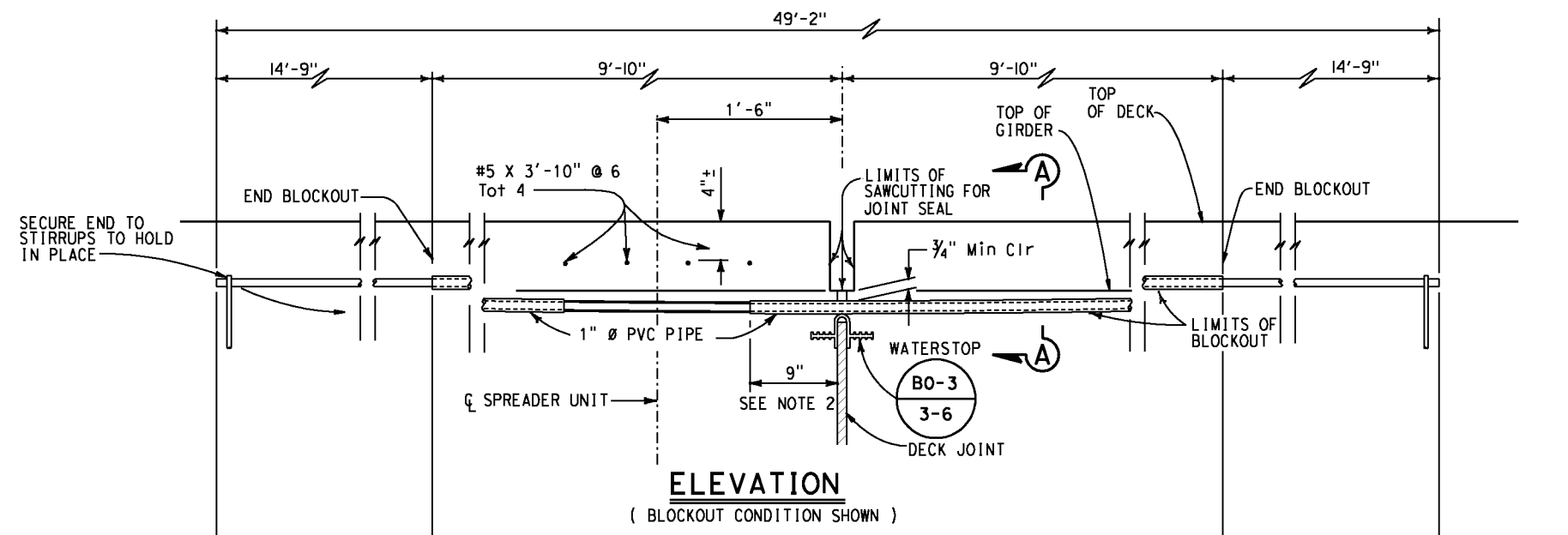
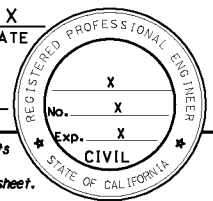


DIST	COUNTY	ROUTE	POST MILES TOTAL PROJECT	SHEET No.	TOTAL SHEETS
X	X	X	X	X	X
REGISTERED CIVIL ENGINEER			X	DATE	
PLANS APPROVAL DATE					
The State of California or its officers or agents shall not be responsible for the accuracy or completeness of electronic copies of this plan sheet.					



- NOTES:
1. Seal ends of PVC pipe
 2. Grease outer surface of PVC
- * Blockout required if placing restrainer units on top of precast girder interferes with sawcutting for joint seal

NO SCALE

STANDARD DRAWING	
FILE NO. xs7-060	APPROVAL DATE <u>July 2011</u>

STATE OF CALIFORNIA DEPARTMENT OF TRANSPORTATION	DIVISION OF ENGINEERING SERVICES
------------------------------------------------------------	-----------------------------------------

BRIDGE NO. X	X
POST MILE X	
CABLE RESTRAINER TYPE 5	

DATE PLOTTED => \$DATE USERNAME => \$USER