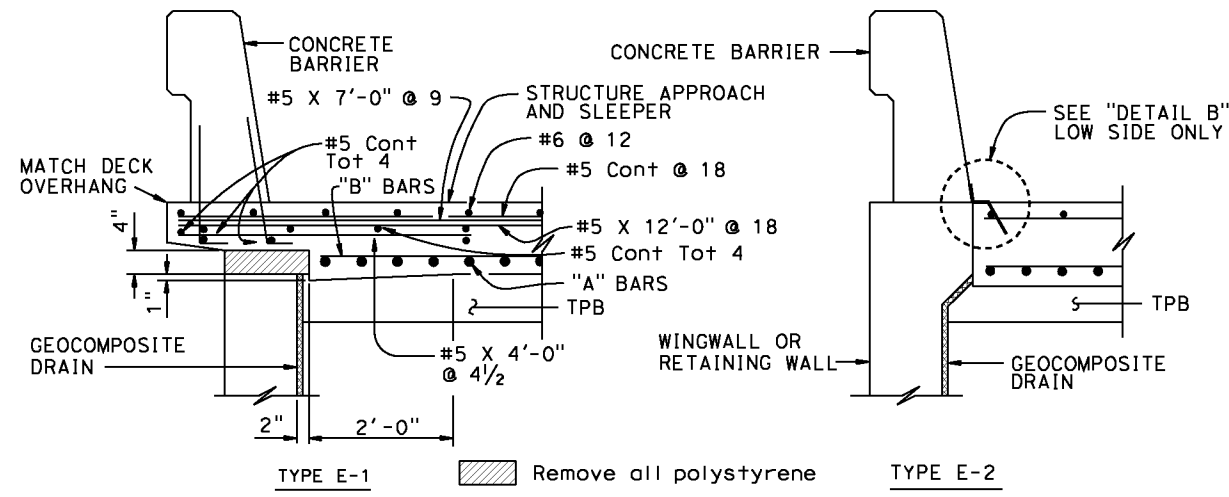


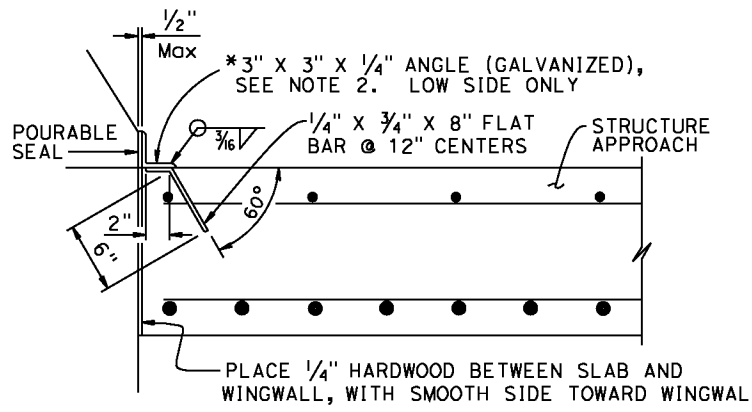
DIST	COUNTY	ROUTE	POST MILES TOTAL PROJECT	SHEET No.	TOTAL SHEETS
X	X	X	X	X	X

REGISTERED CIVIL ENGINEER	X	DATE	
PLANS APPROVAL DATE			

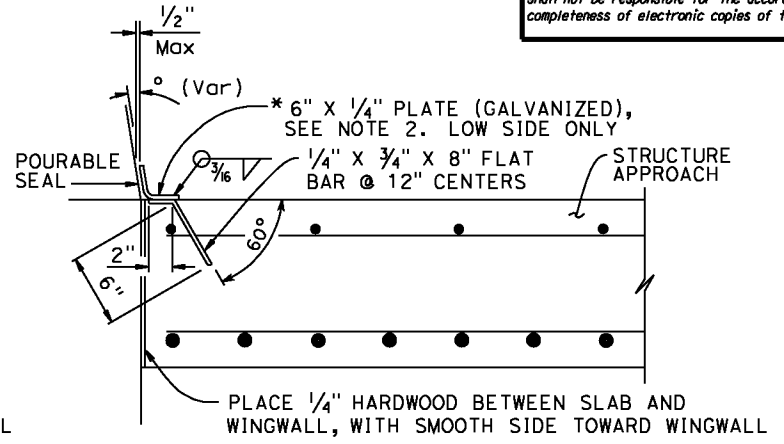
The State of California or its officers or agents shall not be responsible for the accuracy or completeness of electronic copies of this plan sheet.



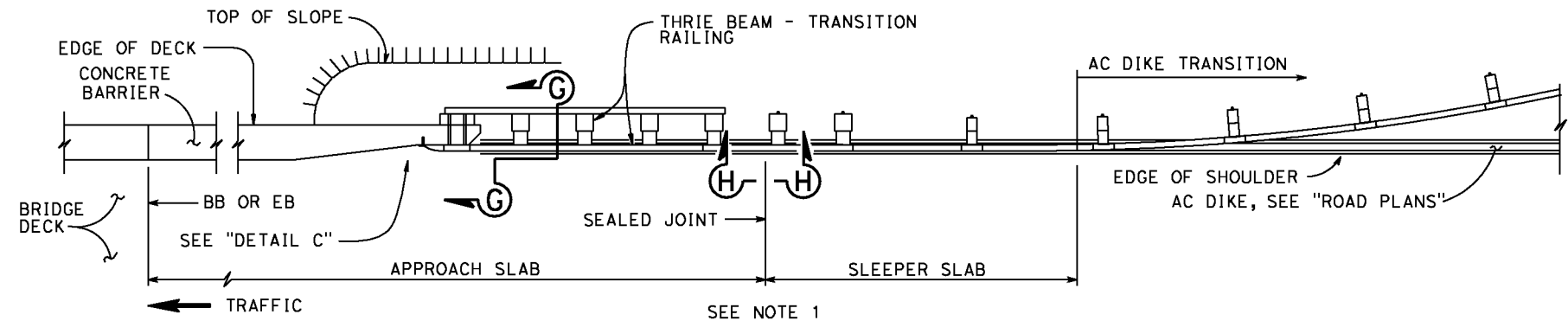
SECTION C-C
 $\frac{3}{4}'' = 1'-0''$
 (TYPE E-1 TO BE USED, UNLESS OTHERWISE SHOWN ON PLANS)



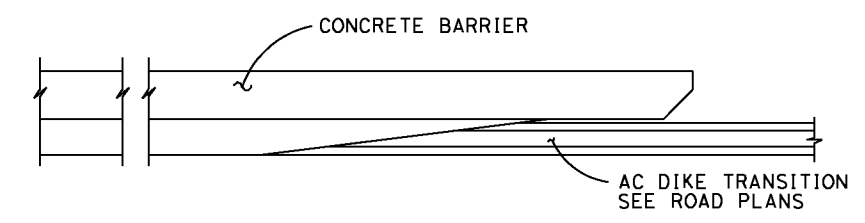
DETAIL B
 $\frac{1}{2}'' = 1'-0''$
 *(TO BE USED WITH CONCRETE BARRIER WITH VERTICAL FACE)



DETAIL B
 $\frac{1}{2}'' = 1'-0''$
 *(TO BE USED WITH CONCRETE BARRIER WITH SLOPING FACE)

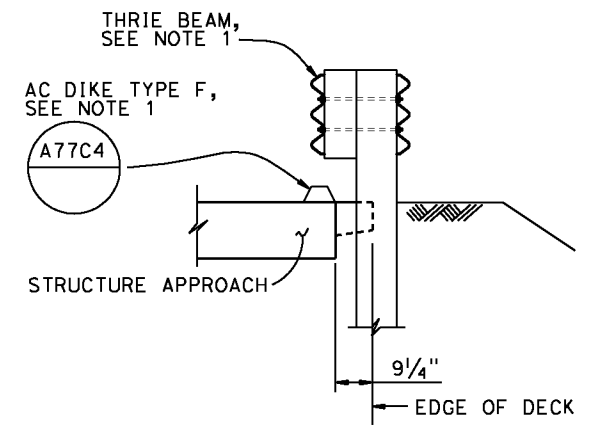


PLAN
 $\frac{1}{4}'' = 1'-0''$
 SEE NOTE 1

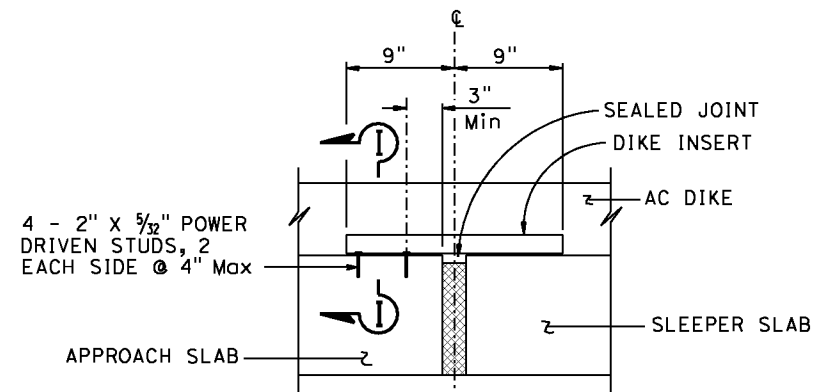


DETAIL C
 $\frac{1}{2}'' = 1'-0''$

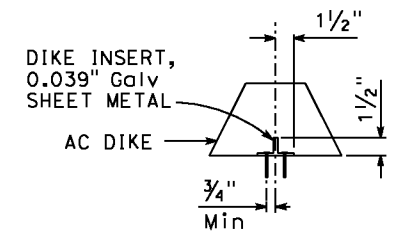
GUARD RAIL & DIKE DETAIL
 SCALE AS SHOWN



SECTION G-G
 $\frac{1}{2}'' = 1'-0''$



SECTION H-H
 $\frac{1}{2}'' = 1'-0''$



SECTION I-I
 $\frac{1}{2}'' = 1'-0''$

- NOTES:
- AC Dike and Thrie Beam, if required, are shown for typical application only. For details of this project, see "ROAD PLANS"
 - End angle at beginning of barrier transition, end of wingwall or end of Approach Slab, as applicable

STANDARD DRAWING	FILE NO. xs3-010-2	APPROVAL DATE <u>July 2011</u>
------------------	---------------------------	--------------------------------

STATE OF CALIFORNIA	DIVISION OF ENGINEERING SERVICES
DEPARTMENT OF TRANSPORTATION	BRIDGE NO. X
	POST MILE X

X		STRUCTURE APPROACH TYPE N(45D) DETAILS NO. 2	
REVISION DATES	SHEET	OF	
	X	X	