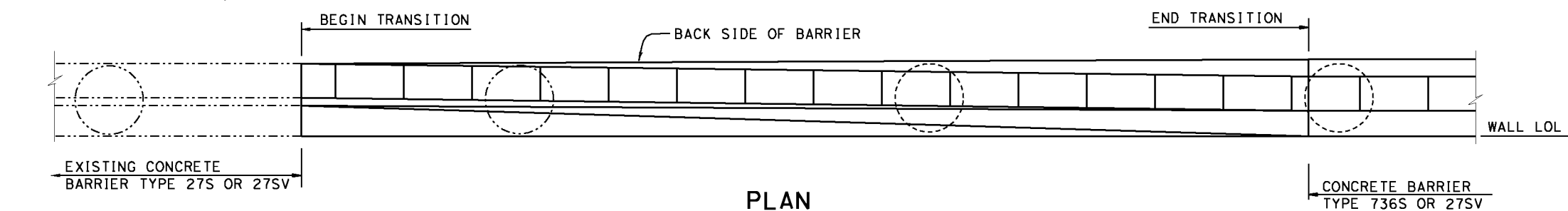
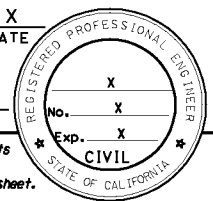


DIST	COUNTY	ROUTE	POST MILES TOTAL PROJECT	SHEET No.	TOTAL SHEETS
X	X	X	X	X	X

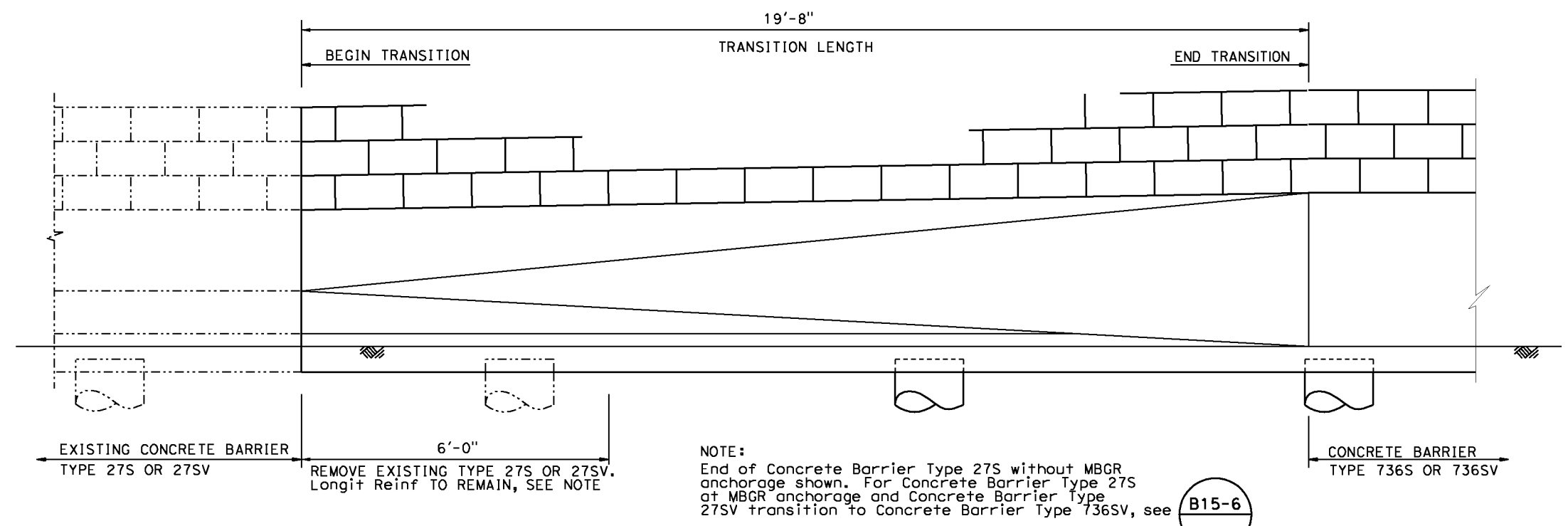
  

REGISTERED CIVIL ENGINEER	X
DATE	
PLANS APPROVAL DATE	

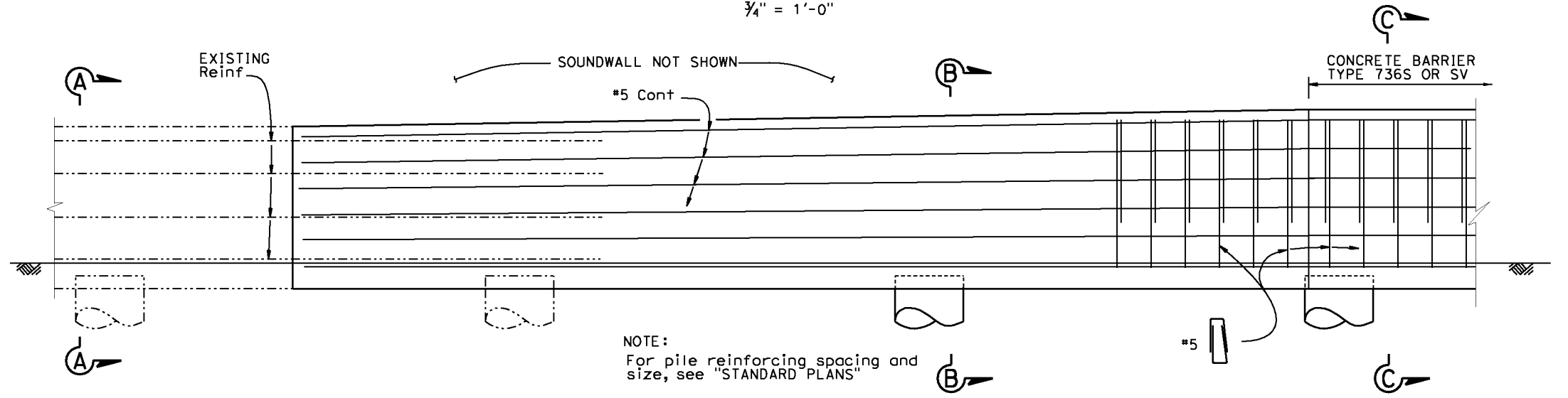
The State of California or its officers or agents shall not be responsible for the accuracy or completeness of electronic copies of this plan sheet.



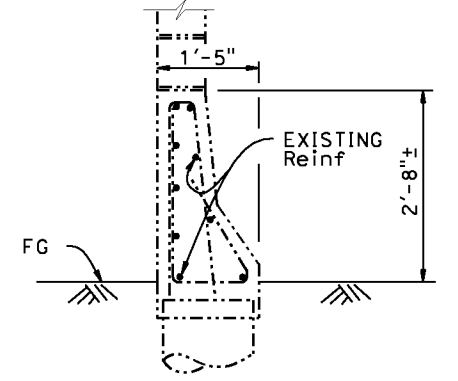
**PLAN**  
3/4" = 1'-0"



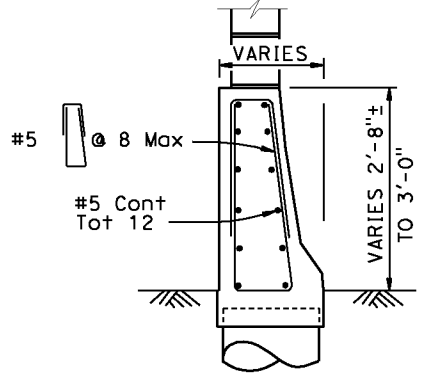
**ELEVATION**  
3/4" = 1'-0"



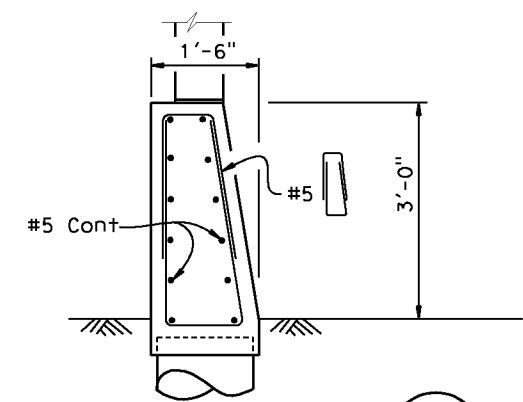
**REINFORCEMENT DETAIL ELEVATION**  
3/4" = 1'-0"



**SECTION A-A**  
3/4" = 1'-0"



**SECTION B-B**  
3/4" = 1'-0"



**SECTION C-C**  
3/4" = 1'-0"

NOTE:  
THE CONTRACTOR SHALL VERIFY ALL CONTROLLING FIELD DIMENSIONS BEFORE ORDERING OR FABRICATING ANY MATERIAL.

<b>STANDARD DRAWING</b>	
FILE NO. <b>xs16-040</b>	APPROVAL DATE <u>July 2011</u>

STATE OF CALIFORNIA  
DEPARTMENT OF TRANSPORTATION  
DIVISION OF ENGINEERING SERVICES

BRIDGE NO. X	<b>X</b>
POST MILE X	
<b>CONCRETE BARRIER TYPE 27S/SV TRANSITION TO TYPE 736S/SV</b>	

DATE PLOTTED => \$DATE USERNAME => \$USER TIME PLOTTED => \$TIME