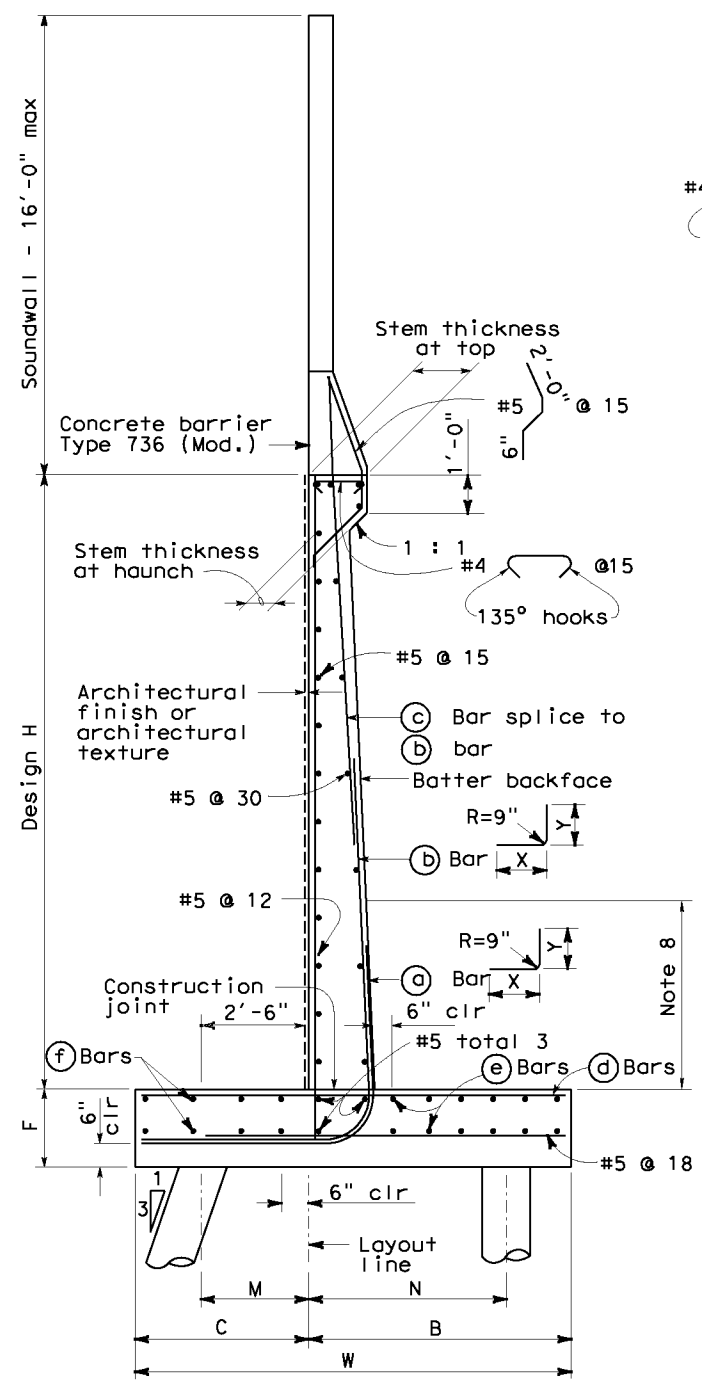


DIST	COUNTY	ROUTE	POST MILES TOTAL PROJECT	SHEET No.	TOTAL SHEETS
X	X	X	X	X	X

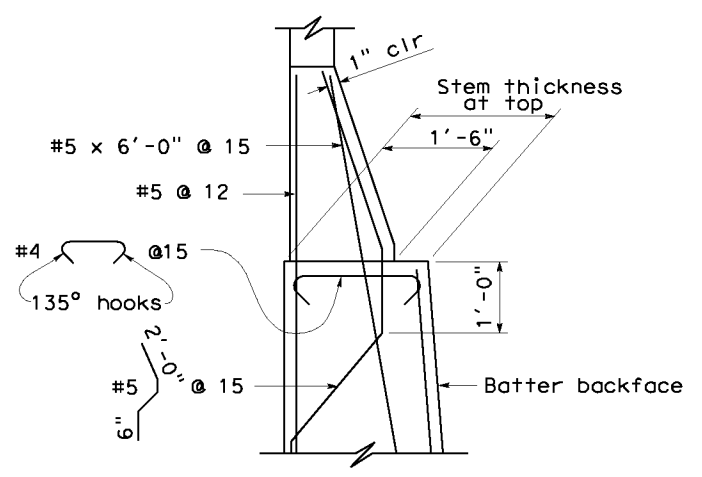
REGISTERED CIVIL ENGINEER	DATE
PLANS APPROVAL DATE	

REGISTERED PROFESSIONAL ENGINEER
No. X
Exp. X
CIVIL
STATE OF CALIFORNIA

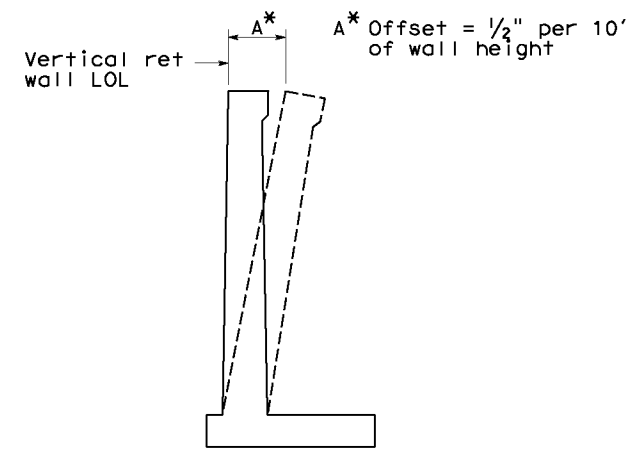
The State of California or its officers or agents shall not be responsible for the accuracy or completeness of electronic copies of this plan sheet.



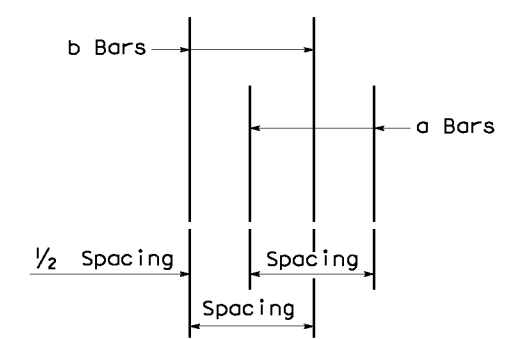
45T PILE FOOTING SECTION
NO SCALE



SPREAD FOOTING SECTION WITHOUT HAUNCH
NO SCALE



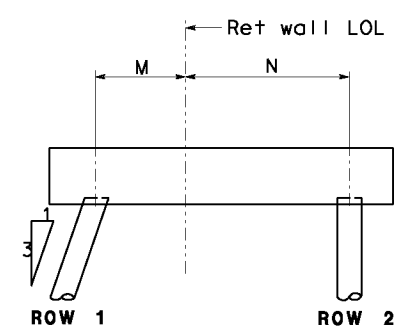
WALL OFFSET
NO SCALE
Values for offsetting forms to be determined by the engineer



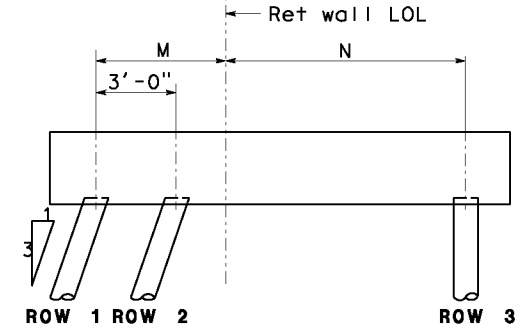
DETAIL A
NO SCALE

NOTES

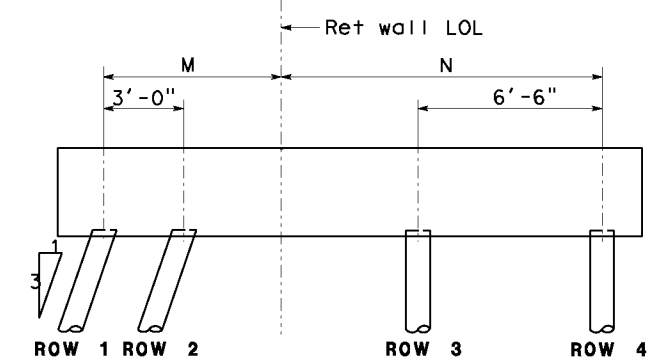
1. For soundwall and retaining wall architectural finish or texture, see details elsewhere in project plans.
2. For details not shown and drainage notes, see **B3-8**.
3. Footing cover, 1'-6" minimum.
4. For soundwall and barrier reinforcements, see "Soundwall Masonry Block on Barriers" Sheets in Standard Plans.



CONFIGURATION I



CONFIGURATION II



CONFIGURATION III

STANDARD DRAWING	
FILE NO. xs14-320-2x	APPROVAL DATE <u>July 2011</u>

STATE OF CALIFORNIA
DEPARTMENT OF TRANSPORTATION
DIVISION OF ENGINEERING SERVICES

BRIDGE NO. X	X
POST MILE X	
RETAINING WALL TYPE 1SWBP - DETAILS NO. 2	

DATE PLOTTED => \$TIME USERNAME => \$USER