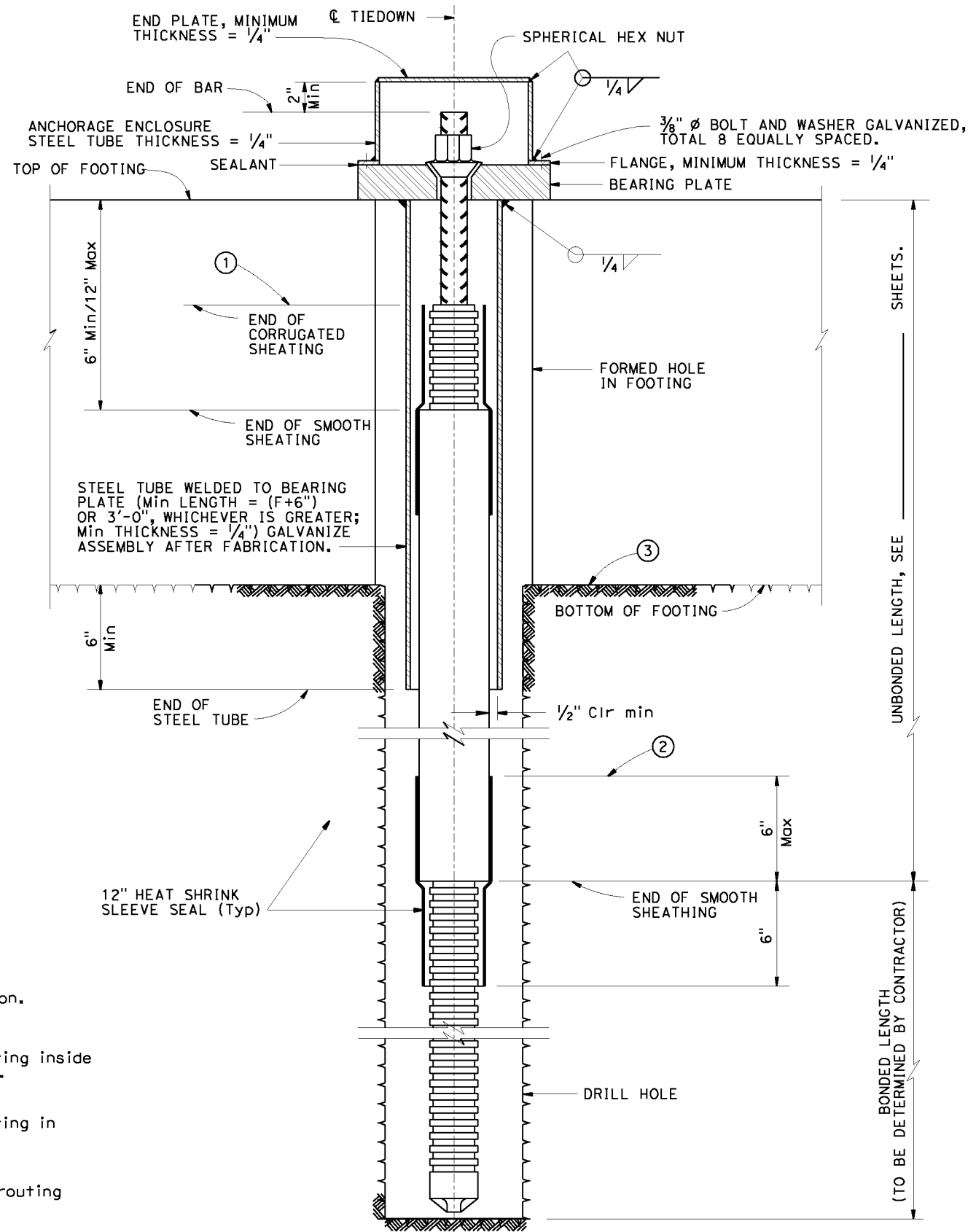


DIST	COUNTY	ROUTE	POST MILES TOTAL PROJECT	SHEET No.	TOTAL SHEETS
X	X	X	X	X	X

REGISTERED CIVIL ENGINEER	DATE
X	X

PLANS APPROVAL DATE
X

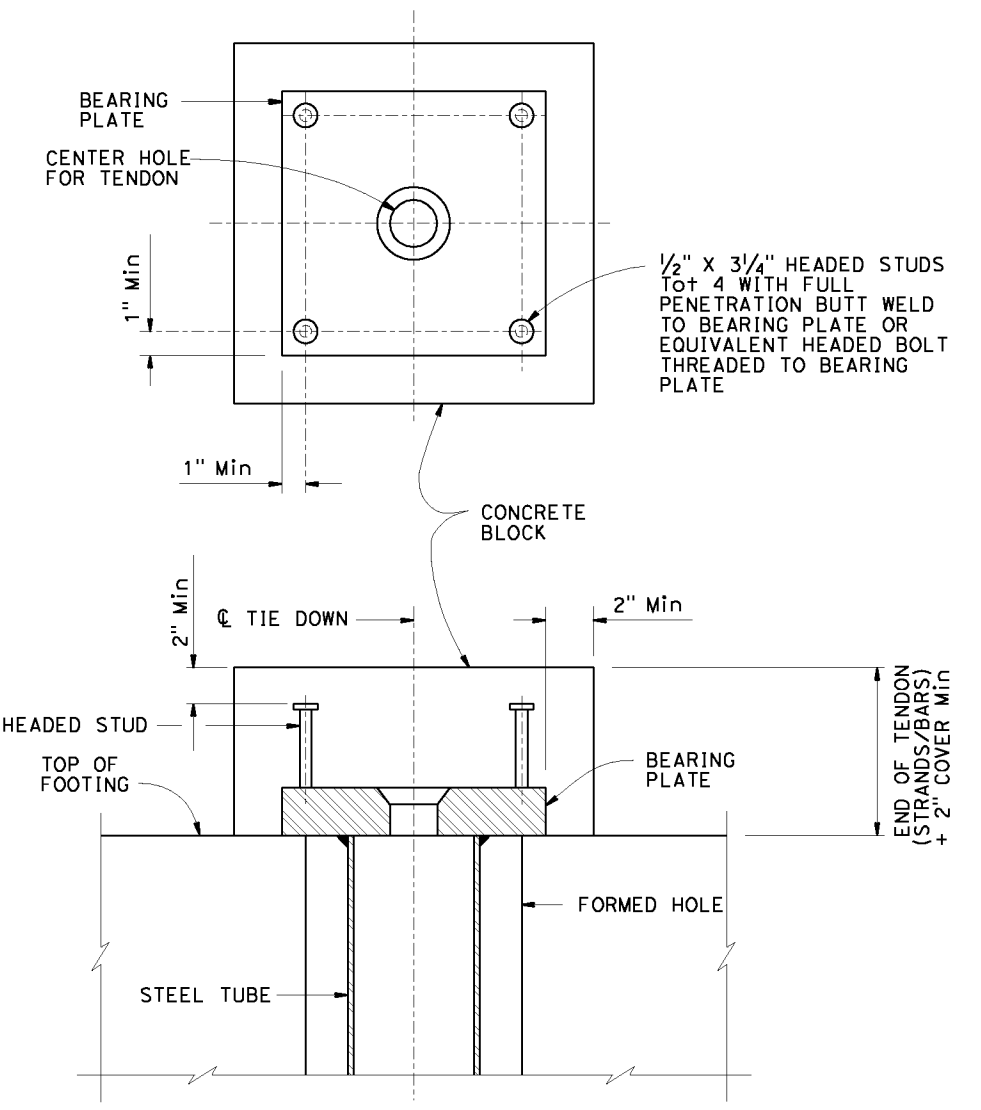
The State of California or its officers or agents shall not be responsible for the accuracy or completeness of electronic copies of this plan sheet.



TIEDOWN TENDON DETAILS (BAR)
Scale 3" = 1'

NOTE:
Anchorage enclosure shall have provision to allow injecting grout at low end and venting at high end. Galvanize enclosure after fabrication.

- ① Level of initial grouting inside corrugated sheathing.
- ② Level of initial grouting in drilled hole.
- ③ Level of secondary grouting in drilled hole.



ANCHOR ENCLOSURE (ALTERNATIVE)
Scale 3" = 1'

STANDARD DRAWING	
FILE NO. xs12-030-2x	APPROVAL DATE <u>July 2011</u>

STATE OF CALIFORNIA DEPARTMENT OF TRANSPORTATION	DIVISION OF ENGINEERING SERVICES
--	---

BRIDGE NO. X	X
POST MILE X	
TIEDOWN ANCHOR DETAILS NO. 2	

DATE PLOTTED => \$DATE USERNAME => \$USER TIME PLOTTED => \$TIME