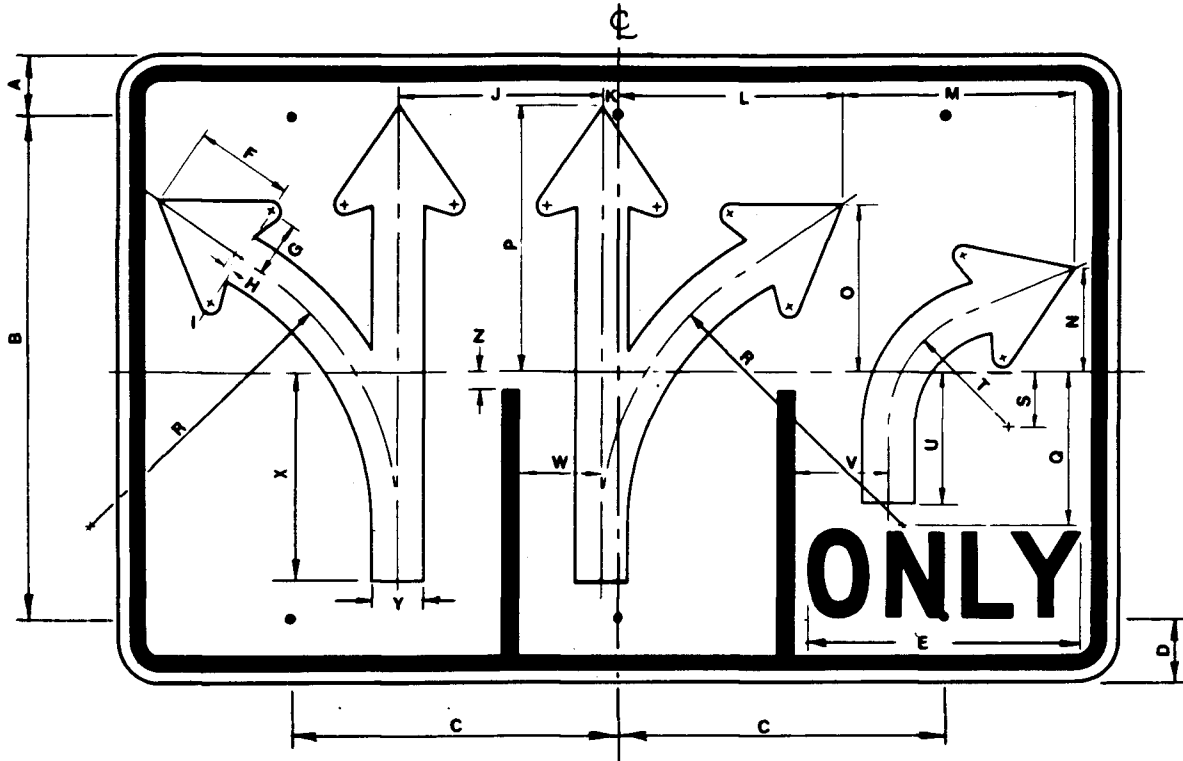


DEPARTMENT OF TRANSPORTATION



ALL DIMENSIONS ARE IN INCHES

R61 SUFFIX	SIZE	BORDER & BAR WIDTH	MARGIN WIDTH	CORNER RADIUS	LETTER SIZE, SERIES & STROKE	DIMENSIONS						
						A	B	C	D	E	F	G
-36	48 X 30	3/4	1/2	1-1/2	4D - .72	3	24	16	3	12-7/8	4-3/4	2-5/8
-37	72 X 45	1-1/4	3/4	3	6D - 1.08	-	-	-	5	18-3/4	7	3-3/4

R61 SUFFIX	DIMENSIONS													
	H	I	J	K	L	M	N	O	P	Q	R	S	T	U
-36	3/8	1/2 R	9-7/8	5/8	10-7/8	11-1/8	5	8	12-5/8	7-1/2	14-1/2	2-5/8	5-3/4	6-1/2
-37	1/2	3/4 R	14-3/4	1	16-3/8	16-3/4	7-1/2	12	18-3/4	11-1/4	21-5/8	4	8-5/8	9-3/4

WHITE REFLECTIVE BACKGROUND WITH BLACK BORDER. LEGEND & SYMBOL
3/8" DIA HOLES ●

DIMENSIONS				
V	W	X	Y	Z
4-1/2	4-9/16	10-1/4	3/4	1
6-3/4	6-7/8	15-1/2	1-1/4	1

APPROVED

[Signature]
CHIEF, OFFICE OF TRAFFIC

9/25/76
DATE

REVISION