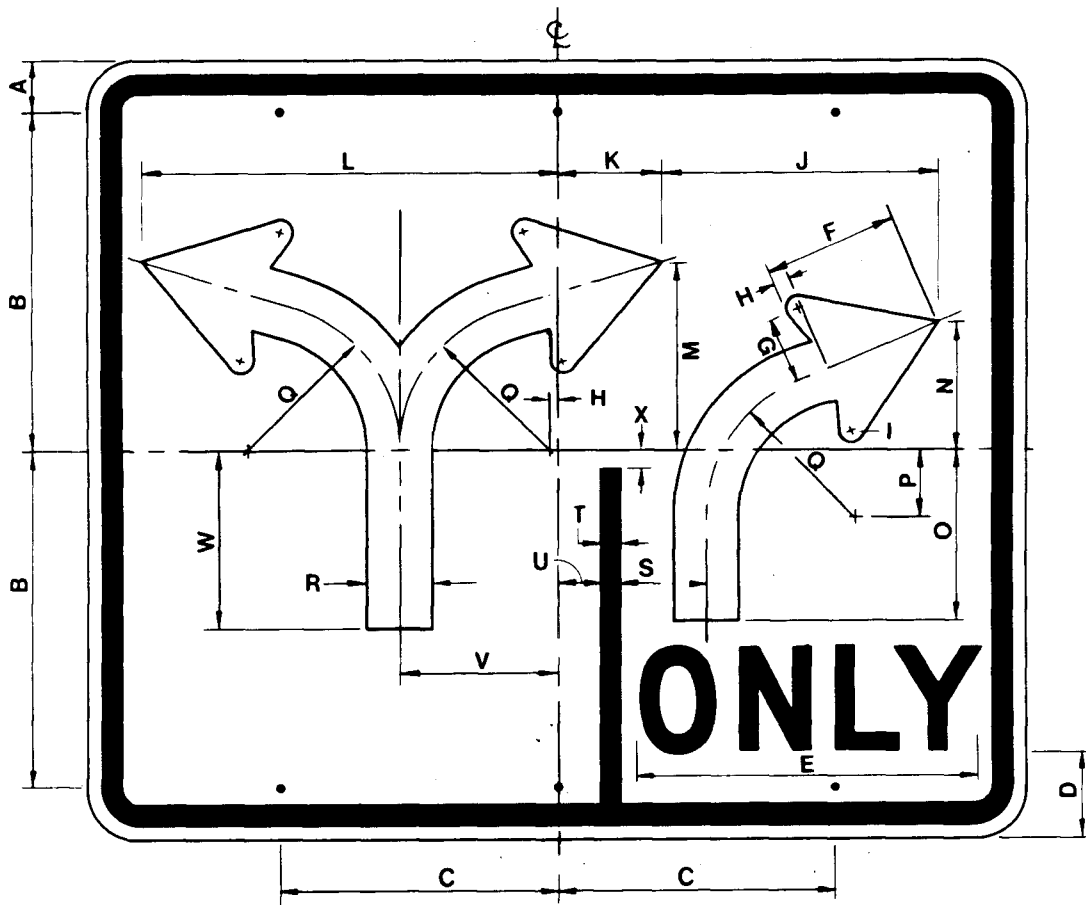


DEPARTMENT OF TRANSPORTATION

STATE OF CALIFORNIA



ALL DIMENSIONS ARE IN INCHES

R61 SUFFIX	SIZE	BORDER WIDTH	MARGIN WIDTH	CORNER RADIUS	LETTER SIZE, SERIES & STROKE	DIMENSIONS						
						A	B	C	D	E	F	G
-11	36 X 30	3/4	1/2	1-1/2	4D - .72	3	12	16	3	12-7/8	4-3/4	2-5/8
-12.1	54 X 45	1-1/4	3/4	3	6D - 1.08	3	19-1/2	16	5	18-3/4	7	3-3/4

R61 SUFFIX	DIMENSIONS													
	H	I	J	K	L	M	N	O	P	Q	R	S	T	U
-11	3/8	1/2	11-1/8	3-5/8	15-5/8	7-5/8	5	6-1/2	2-5/8	5-3/4	2-1/2	4-1/8	3/4	1-5/8
-12.1	1/2	3/4	16-3/4	5-1/2	23-1/2	11-1/2	7-1/2	9-3/4	4	8-5/8	3-3/4	6-3/16	1-1/4	2-1/2

WHITE REFLECTIVE BACKGROUND WITH BLACK BORDER, LEGEND & SYMBOL

3/8" DIA HOLES ●

DIMENSIONS				
V	W	X	Y	Z
6	7	1		
9	10-1/2	1		

APPROVED:

[Signature]
CHIEF, OFFICE OF TRAFFIC

3/28/76
DATE

CD3 6/17/87
REVISION