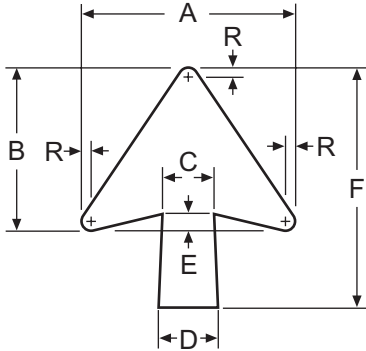


Standard Arrows for Directional Signs

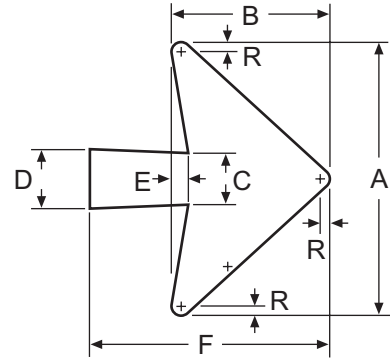
1 Line Horizontal, Vertical, or Diagonal Arrow



ENGLISH UNITS

Letter Sizes	A	B	C	D	E	F	R
4UC(EM), 4UC(E)	5-5/8	3-5/8	1-9/16	1-15/16	7/16	6-3/8	5/16
5UC(E)	7-1/16	4-9/16	1-15/16	2-7/16	9/16	8-1/16	3/8
6UC(EM)	8-7/16	5-7/16	2-5/16	2-15/16	5/8	9-9/16	1/2
6UC(E), 8UC(EM)	11-1/4	7-1/4	3-1/8	3-7/8	7/8	12-3/4	5/8
8UC(E), 10.67UC(EM)	14-1/4	9-13/16	3-3/8	4-1/2	1-5/16	17-1/4	3/4
10UC(E)	14	9	4	5	7/8	16	7/8
12UC(E), 13.3UC(EM)	17-1/2	11-3/4	4-3/8	5-5/8	1-1/2	20-1/4	7/8
15UC(E), 16UC(EM)	21-7/8	14-1/4	5	6-3/4	1-3/4	25	1

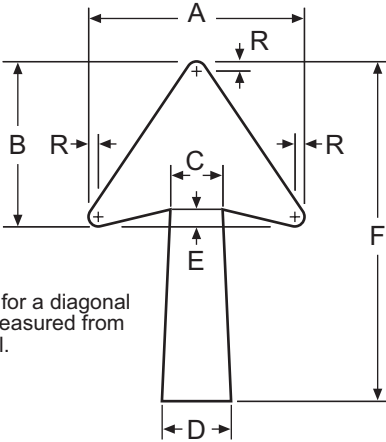
2 (or more) Line Horizontal Arrow



ENGLISH UNITS

Letter Sizes	A	B	C	D	E	F	R
4UC(EM), 4UC(E)	7-1/8	4-1/8	1-9/16	1-15/16	7/16	6-3/8	5/16
5UC(E)	9	5-3/16	1-15/16	2-7/16	9/16	8-1/16	3/8
6UC(EM)	10-11/16	6-3/16	2-5/16	2-15/16	5/8	9-9/16	1/2
6UC(E), 8UC(EM)	14-1/4	8-1/4	3-1/8	3-7/8	7/8	12-3/4	5/8
8UC(E), 10.67UC(EM)	18-3/4	10-7/8	3-3/4	5	1-5/16	17-1/4	13/16
10 or 12UC(E), 13.3UC(EM)	23-13/16	13-13/16	4-1/2	6	1-1/2	20-1/4	3/4
15UC(E), 16UC(EM)	28-1/2	16-1/2	5-3/8	7-1/8	1-3/4	25	1

2 (or more) Line Vertical or Diagonal Arrow

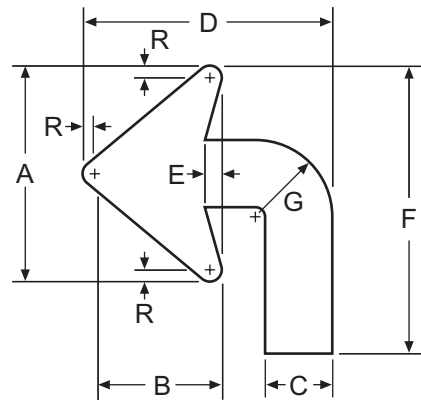


NOTE:
The angle for a diagonal arrow is measured from the vertical.

ENGLISH UNITS

Letter Sizes	A	B	C	D	E	F	R
4UC(EM), 4UC(E)	5-5/8	4-3/8	1-9/16	1-15/16	7/16	9-1/8	5/16
5UC(E)	7-1/16	5-1/2	1-15/16	2-7/16	9/16	11-1/2	3/8
6UC(EM)	8-7/16	6-9/16	2-5/16	2-15/16	5/8	13-11/16	1/2
6UC(E), 8UC(EM)	11-1/4	8-3/4	3-1/8	3-7/8	7/8	18-1/4	5/8
8UC(E), 10.67UC(EM)	15-1/8	11-9/16	3-3/4	5	1-5/16	24-1/4	13/16
10 or 12UC(E), 13.3UC(EM)	18-1/4	14	4-1/2	6	1-1/2	29-1/4	3/4
15UC(E), 16UC(EM)	22-1/4	17	5-3/8	7-1/8	1-3/4	35-5/8	1

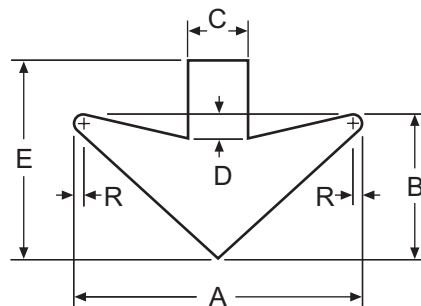
Advance Arrow (Left or Right Turn)



ENGLISH UNITS

Letter Sizes	A	B	C	D	E	F	G	R
6UC(EM)	8-7/16	5-7/16	2-5/8	9-3/4	5/8	11-1/4	3R	1/2
6UC(E), 8UC(EM)	11-1/4	7-1/4	3-1/2	13	7/8	15	4R	5/8

Vertical Down Arrow



ENGLISH UNITS

A	B	C	D	E	R
24	12	5	2	16-1/2	3/4
32	16	6-1/2	3	22	1