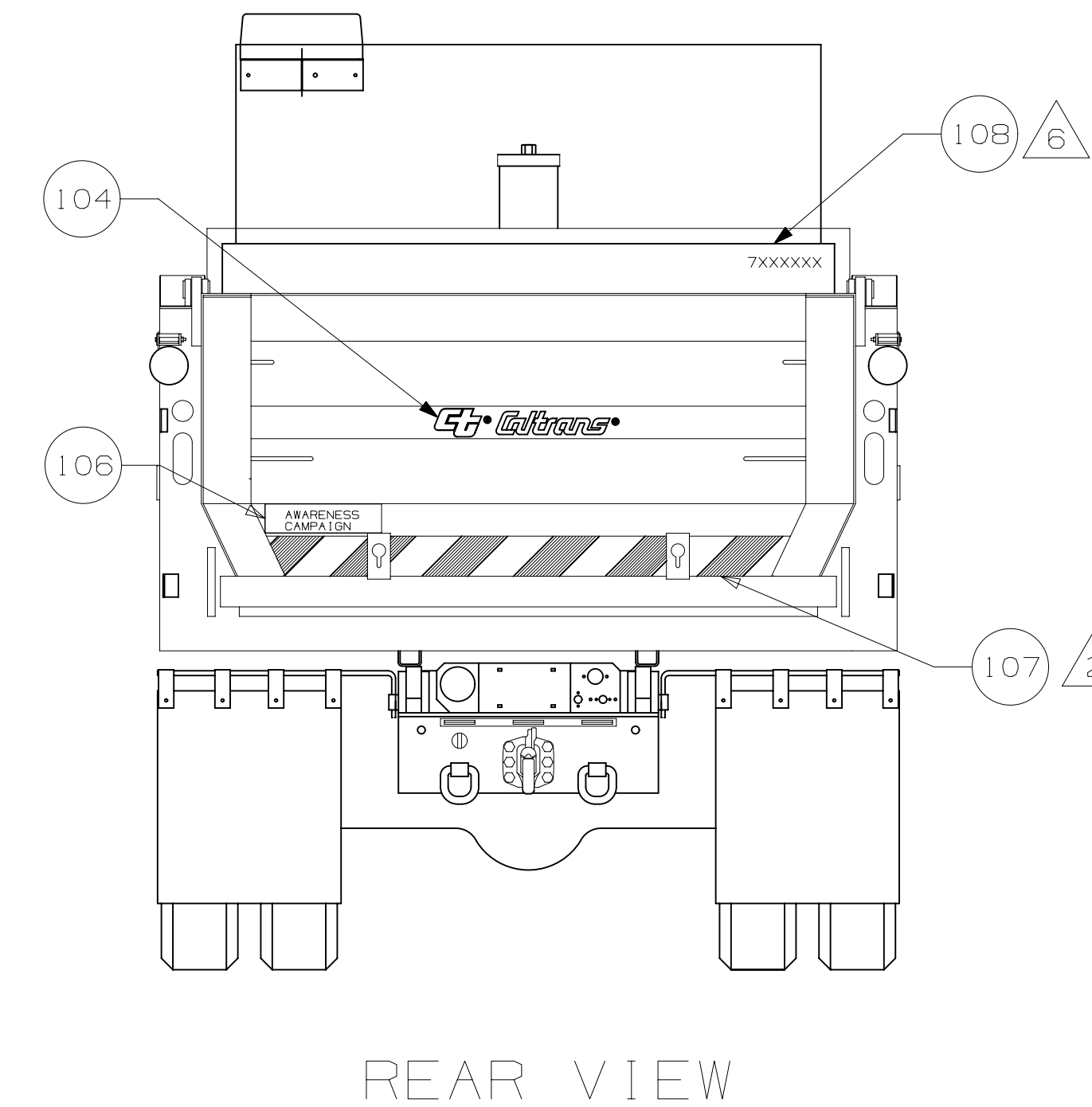
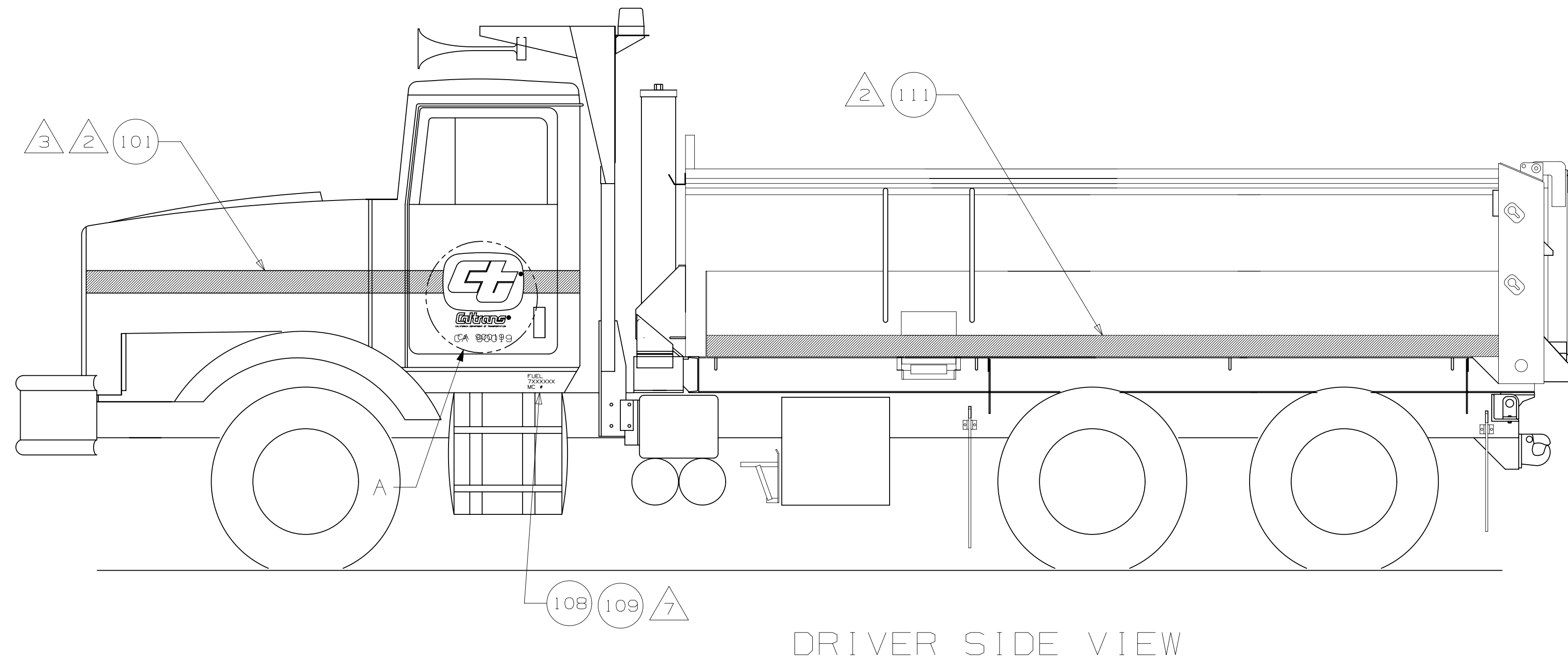
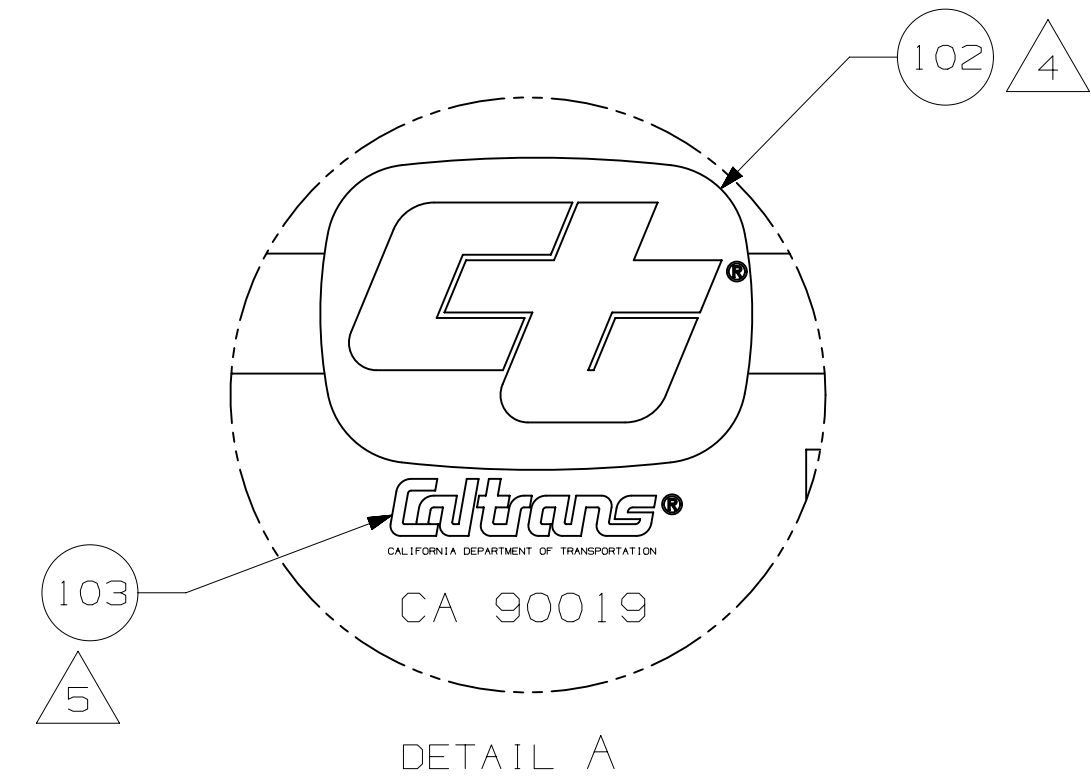


BILL OF MATERIALS

ITEM	QTY	DESCRIPTION	CT DWG # / MF'R #	CT STK #
101	AS REOD	DECAL, ORANGE REFLECTIVE SHEET, 5" WIDE	MATERIAL PER SPECIFICATION	053-4813
102	2	DECAL, 'CT' WHITE REFLECTIVE, 9" X 12"	03-D004-01	053-4760
103	2	DECAL, 'CALTRANS' BLACK SCRIPT, 2 1/2"	03-D005-01	053-4763
104	1	DECAL, 'CT CALTRANS' ORANGE SCRIPT, 5"	03-D014-01	053-4800
105	1			
106	1	APPROVED PUBLIC AWARENESS CAMPAIGN BUMPER STICKER	-	*
107	1	STRIPING, ORANGE/WHITE DIAG., REFLECTIVE, 8" X 8'	MATERIAL PER SPECIFICATION	053-2047
108	1	EQ ID # & MC #- SPECIAL ORDER	-	053-4892
109	AS REOD	DECAL, "DIESEL FUEL"	-	053-1511
110	2	DECAL 'CA 90019'		053-2362
111	AS REOD	DECAL, ORANGE REFLECTIVE SHEET, 4" WIDE	MATERIAL PER SPECIFICATION	053-4767



NOTES:

1 ALL DELINEATION WILL BE IN COMPLIANCE WITH CALTRANS EQUIPMENT QUALITY STANDARDS. GO TO www.dot.ca.gov/hq/eqsc AND CLCK ON THE LINK "EQUIPMENT QUALITY STANDARDS" THEN "FLEET IDENTIFICATION"

2 STRIPING APPLICATION: ALL STICKERS, LABELS AND STRIPING SHALL BE LEVEL, STRAIGHT, BUBBLE-FREE AND DEBRIS-FREE. NO SPLICING OF TAPE OR STRIPING SHALL BE ACCEPTABLE. ALL EDGES ON STRIPING SHALL BE TRIMMED 1/8 INCH FROM THE EDGES OF DOORS, PANELS, FENDERS, LIGHTS, EMBLEMS, ETC. ORANGE REFLECTIVE SHEETS (ITEM 101, 111) AND STRIPING (ITEM 107) SHALL BE TRIMMED TO MATCH BODY CONTOURS AND CREASES WHEN IT WILL NOT LAY HORIZONTAL. ANY REFLECTIVE TYPE OF STRIPE OR STICKER SHALL NOT BE PULLED FROM THE VEHICLE AND REAPPLIED DURING APPLICATION, SINCE THE REFLECTIVE MATERIAL WILL BE COMPROMISED.

3 PLACE LOWER EDGE OF ITEM 101 APPROXIMATELY 1/2 WAY BETWEEN THE BOTTOM OF THE WINDOW AND THE BOTTOM OF DOOR. MAKE ADJUSTMENT SLIGHTLY AS REQUIRED TO CLEAR FENDER CUTOUTS AND OTHER FEATURES TO IMPROVE EASE OF INSTALLATION. ITEM 101 POSITION MAY BE ADJUSTED SLIGHTY TO ALIGN WITH BODY STRIPE IF POSSIBLE

4 ITEM 102: LOCATE SUCH THAT THE LOGO IS CENTERED ON THE VERTICAL CENTERLINE OF THE DOOR AND ON THE STRIPE (ITEM 101).

5 ITEM 103 TO BE LOCATED BELOW THE "CT" LOGO AND ALONG THE VERTICAL CENTERLINE OF THE DOOR.

6 SEVEN-DIGIT EQUIPMENT IDENTIFICATION NUMBER (EQ. ID #) ALWAYS STARTS WITH A "7" AND SHALL BE AFFIXED TO THE REAR OF THE VEHICLE IN THE UPPER RIGHT CORNER.

7 THE FOLLOWING DECAL GROUP SHALL BE PLACED DIRECTLY ABOVE OR NEXT TO EACH FUEL FILLER IN ORDER FROM TOP TO BOTTOM: FUEL TYPE, EQ. ID, MC#

COPYRIGHT 2015 CALIFORNIA DEPARTMENT OF TRANSPORTATION. ALL RIGHTS RESERVED

THIS DOCUMENT CONTAINS CONFIDENTIAL AND PROPRIETARY INFORMATION THAT CANNOT BE REPRODUCED OR DIVULGED, IN WHOLE OR IN PART, WITHOUT WRITTEN AUTHORIZATION FROM CALTRANS DIVISION OF EQUIPMENT, OFFICE OF ENGINEERING AND PRODUCTION

REV	DESCRIPTION	BY
NEXT ASSEMBLY XX		
STATE OF CALIFORNIA DEPT OF TRANSPORTATION DIVISION OF EQUIPMENT		
10 YARD DELINEATION		
SCALE 1/20	DATE 11/14/11	I-05320-DE
DRAWN DUNKHAM	DESIGNED STAFF	
TOLERANCE-UNLESS OTHERWISE SPECIFIED	CHECKED	APPROVED
DECIMAL ± XX		
FRACTIONAL ± XX		
ANGULAR ± XX		
DRILLED HOLES ± XX		
REAMED HOLES ± XX		
SHEET 1 OF 1 SHEETS		

MAINTENANCE CLASS 05320 10-YD Truck



MAINTENANCE CLASS 05320 10-YD Truck



MAINTENANCE CLASS 05320 10-YD Truck







MAINTENANCE CLASS 05320 10-YD ROLL-OFF TRUCK w/ WING PLOW



MAINTENANCE CLASS 05320 10-YD ROLL-OFF TRUCK w/ WING PLOW



MAINTENANCE CLASS 05320 10-YD ROLL-OFF TRUCK w/ WING PLOW

