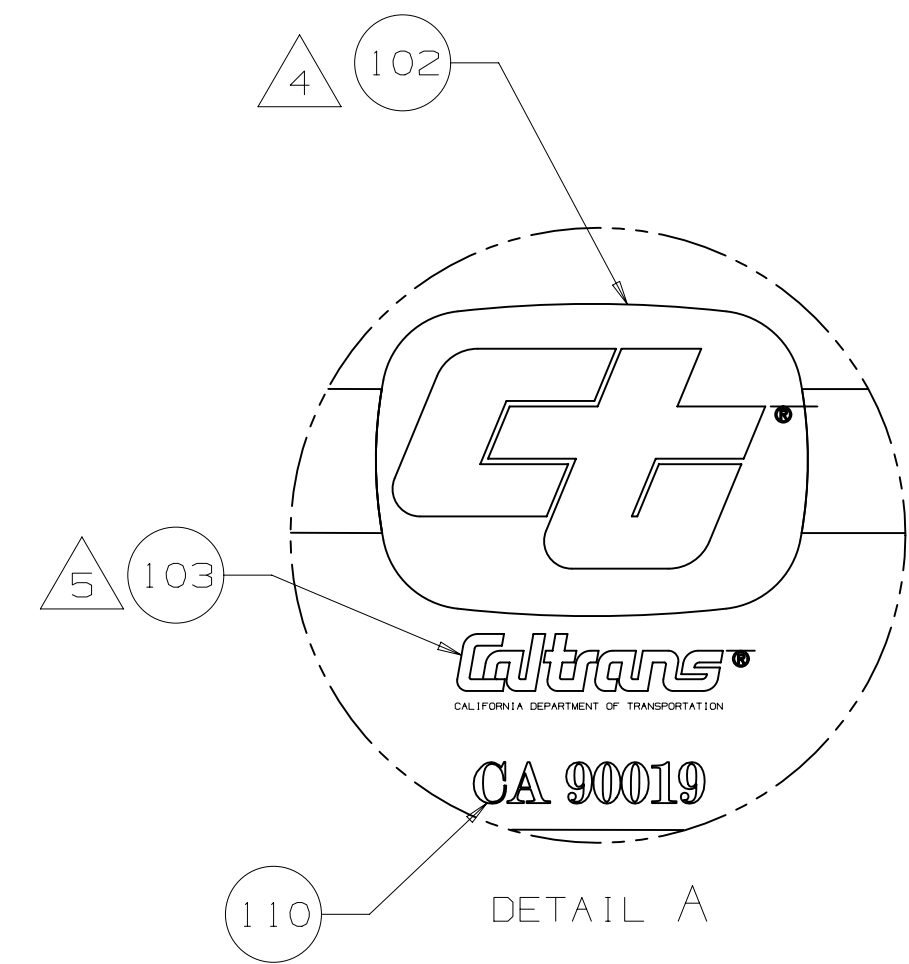
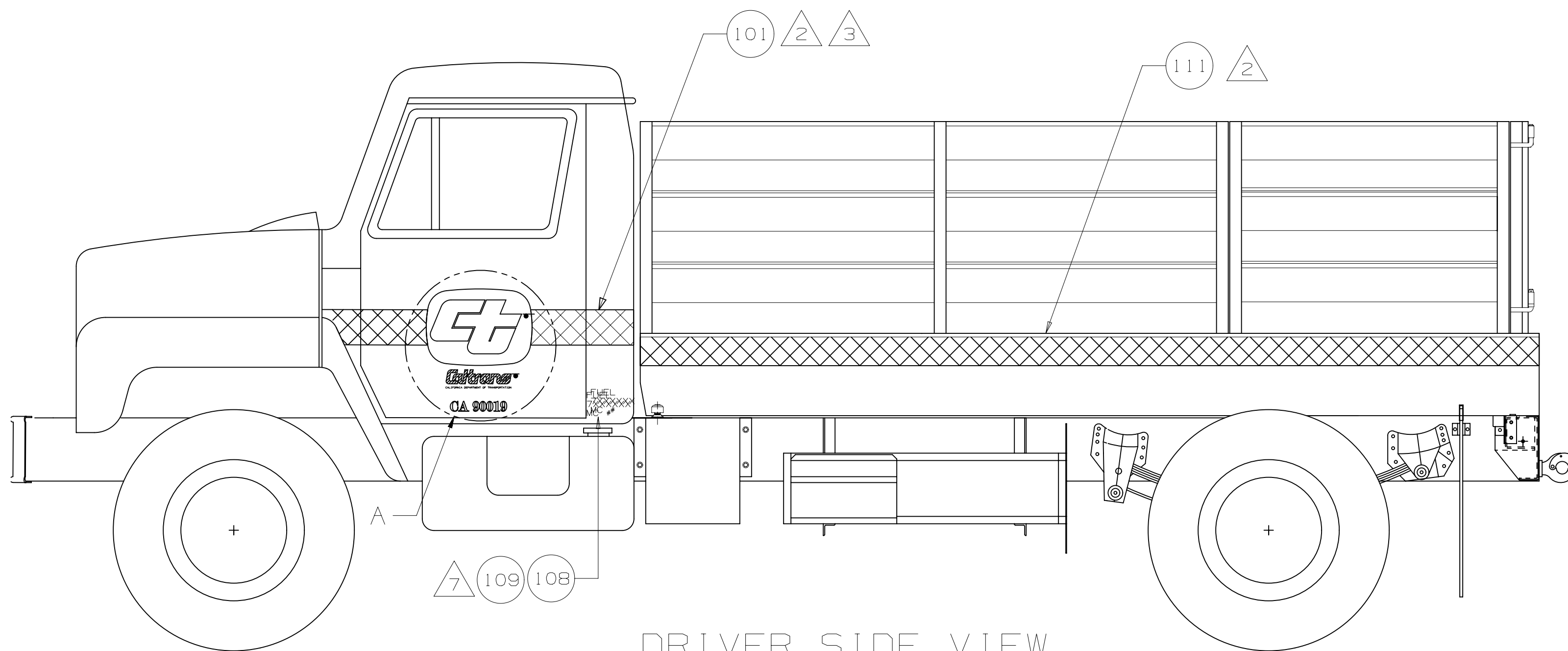


# BILL OF MATERIALS

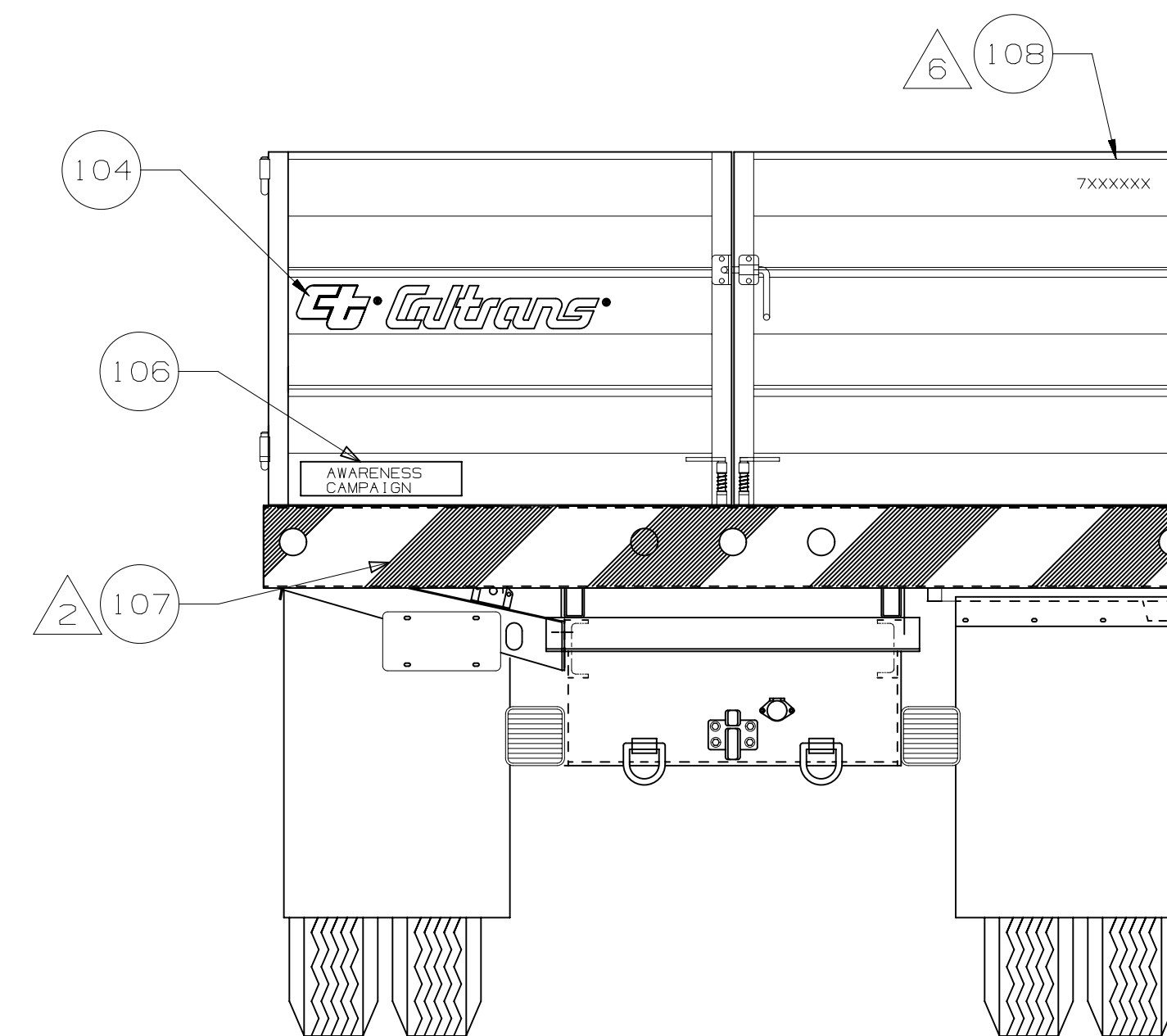
ITEM	QTY	DESCRIPTION	CT DWG # / MF'R #	CT STK #
101	AS REOD	DECAL, ORANGE REFLECTIVE SHEET, 5" WIDE	MATERIAL PER SPECIFICATION	053-4813
102	2	DECAL, 'CT' WHITE REFLECTIVE, 9" X 12"	03-D004-01	053-4760
103	2	DECAL, 'CALTRANS' BLACK SCRIPT, 2 1/2"	03-D005-01	053-4763
104	1	DECAL, 'CT CALTRANS' ORANGE SCRIPT, 5"	03-D014-01	053-4800
105				
106	1	APPROVED PUBLIC AWARENESS CAMPAIGN BUMPER STICKER	-	*
107	1	STRIPING, ORANGE/WHITE DIAG., REFLECTIVE, 8" X 8'	MATERIAL PER SPECIFICATION	053-2047
108	1	EQ ID # & MC #- SPECIAL ORDER	-	053-4892
109	AS REOD	DECAL, "DIESEL FUEL"	-	053-1511
110	2	DECAL 'CA 90019'		053-2362
111	AS REOD	DECAL, ORANGE REFLECTIVE SHEET, 4" WIDE	MATERIAL PER SPECIFICATION	053-4767



DETAIL A



DRIVER SIDE VIEW  
PASSENGER SIDE - SAME DECALS



REAR VIEW

## NOTES :

- 1 ALL DELINEATION WILL BE IN COMPLIANCE WITH CALTRANS EQUIPMENT QUALITY STANDARDS. GO TO [www.dot.ca.gov/hq/eqsc](http://www.dot.ca.gov/hq/eqsc) AND CLCK ON THE LINK "EQUIPMENT QUALITY STANDARDS" THEN "FLEET IDENTIFICATION"
- 2 STRIPING APPLICATION: ALL STICKERS, LABELS AND STRIPING SHALL BE LEVEL, STRAIGHT, BUBBLE-FREE AND DEBRIS-FREE. NO SPLICING OF TAPE OR STRIPING SHALL BE ACCEPTABLE. ALL EDGES ON STRIPING SHALL BE TRIMMED 1/8-3/8 INCH FROM THE EDGES OF DOORS, PANELS, FENDERS, LIGHTS, EMBLEMS, ETC. ORANGE REFLECTIVE SHEETS (ITEM 101, 111) AND STRIPING (ITEM 107) SHALL BE TRIMMED TO MATCH BODY CONTOURS AND CREASES WHEN IT WILL NOT LAY HORIZONTAL. ANY REFLECTIVE TYPE OF STRIPE OR STICKER SHALL NOT BE PULLED FROM THE VEHICLE AND REAPPLIED DURING APPLICATION, SINCE THE REFLECTIVE MATERIAL WILL BE COMPROMISED.
- 3 PLACE LOWER EDGE OF ITEM 101 APPROXIMATELY 1/2 WAY BETWEEN THE BOTTOM OF THE WINDOW AND THE BOTTOM OF DOOR. MAKE ADJUSTMENT SLIGHTLY AS REQUIRED TO CLEAR FENDER CUTOUTS AND OTHER FEATURES TO IMPROVE EASE OF INSTALLATION. ITEM 101 POSITION MAY BE ADJUSTED SLIGHTY TO ALIGN WITH BODY STRIPE IF POSSIBLE
- 4 ITEM 102: LOCATE SUCH THAT THE LOGO IS CENTERED ON THE VERTICAL CENTERLINE OF THE DOOR AND ON THE STRIPE (ITEM 101). STRIPE 101 TO BE TRIMMED TO MATCH EDGES OF ITEM 102
- 5 ITEM 103 TO BE LOCATED BELOW THE "CT" LOGO AND ALONG THE VERTICAL CENTERLINE OF THE DOOR.
- 6 SEVEN-DIGIT EQUIPMENT IDENTIFICATION NUMBER (EQ. ID #) ALWAYS STARTS WITH A "7" AND SHALL BE AFFIXED TO THE REAR OF THE VEHICLE IN THE UPPER RIGHT CORNER.
- 7 THE FOLLOWING DECAL GROUP SHALL BE PLACED DIRECTLY ABOVE OR NEXT TO EACH FUEL FILLER IN ORDER FROM TOP TO BOTTOM: FUEL TYPE, EQ. ID, MC#

COPYRIGHT 2015 CALIFORNIA DEPARTMENT OF TRANSPORTATION. ALL RIGHTS RESERVED

THIS DOCUMENT CONTAINS CONFIDENTIAL AND PROPRIETARY INFORMATION THAT CANNOT BE REPRODUCED OR DIVULGED, IN WHOLE OR IN PART, WITHOUT WRITTEN AUTHORIZATION FROM CALTRANS DIVISION OF EQUIPMENT, OFFICE OF ENGINEERING AND PRODUCTION

REV	DATE	DESCRIPTION	BY
Q	Aug 2015	ADDED ITEM 111	J Payne
P	June 2015	UPDATE TO DECALS W/HIGH REFLECTIVITY	J Payne
O	July 2014	UPDATED PER 7-18-14 MEMO	J Payne
N	July 2012	CHANGED SOME NOTES	J Payne
M	04/12	ADD NEW 110- "CA 90019" DECAL	ORTEGA
L	03/12	REMOVED 110- HYD OIL DECAL	WHEELER
K	02/10	FORMATTED DETAIL LABELS ADDED ITEM 107.	ORTEGA
J	09/09	CHANGED 103 FROM 3"	ORTEGA
I	08/09	CHANGED NOTE 7 AND 8 REMOVED NOTE 9	JDR
H	05/09	ADDED # 112 & DETAIL VIEWS REMOVED CLEAN AIR DECAL #107	ORTEGA
G	10/08	ADDED NOTE 111 AND NOTE 9	JDR
F	12/07	CHG'D QTY OF ITEM 104 FROM 2	JDR
E	03/07	ADDED ITEMS 108, 109 & 110; DRAWING STANDARDIZATION UPDATE	SPARTZ
D	12/04	EDITED ITEMS AND NOTES	JJ
C	3/04	ADDED ITEM 106 & 107	JDR
B	6/02	CHANGED ITEM 104	JDR
A	1/02	ITEM 101, 580 TO 680	DOWNIN

NEXT ASSEMBLY		STATE OF CALIFORNIA DEPARTMENT OF TRANSPORTATION	
		<b>DIVISION OF EQUIPMENT</b>	
		MEDIUM & HEAVY DUTY CARGO BODIES DELINEATION	
SCALE	NONE	DATE	12/00
DRAWN	WHEELER	DESIGNED	MANAGEMENT
CHECKED		APPROVED	
			I-02550-DE
			SHEET 1 OF 1 SHEETS