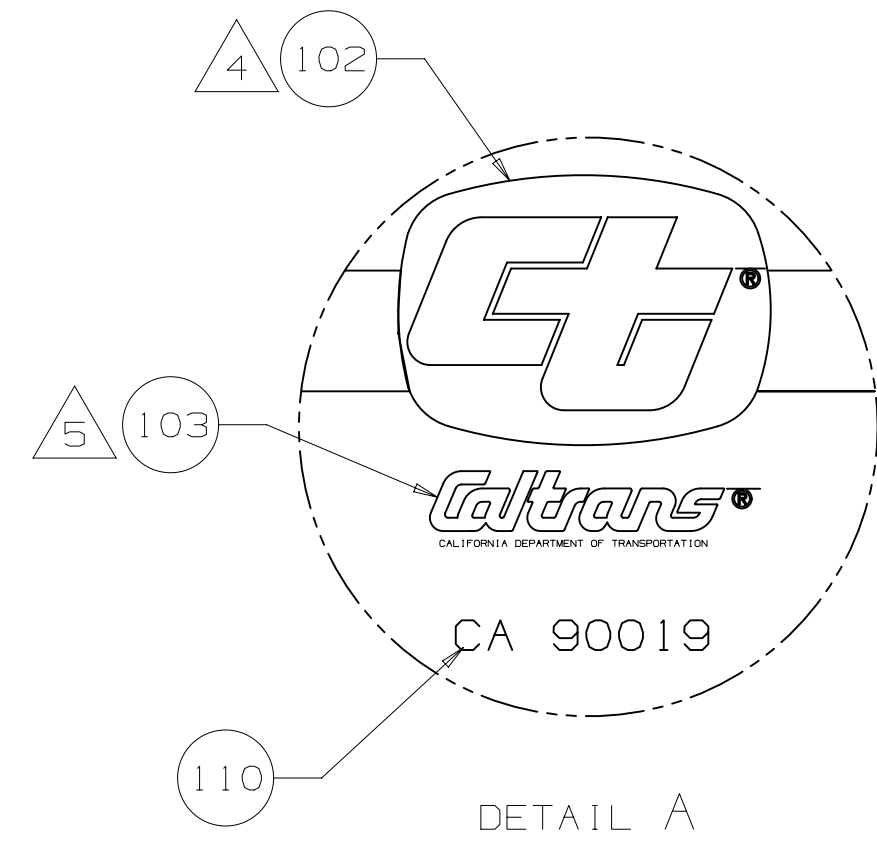
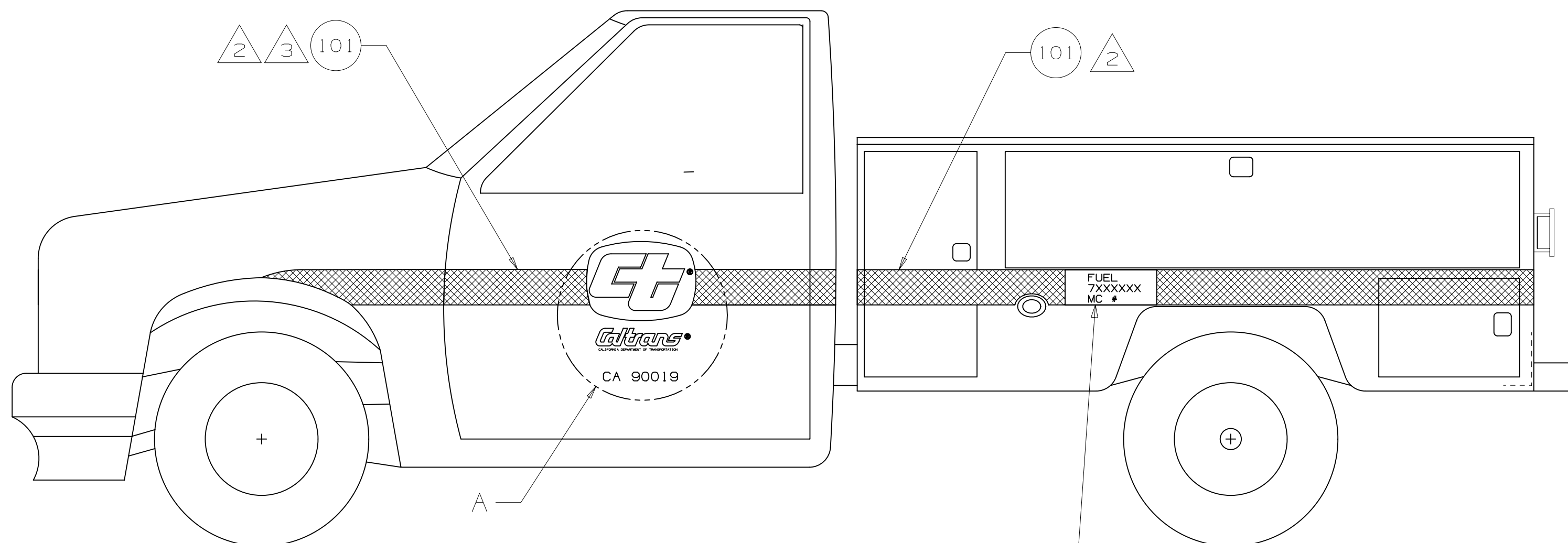


BILL OF MATERIALS

ITEM	QTY	DESCRIPTION	CT DWG # / MF'R #	CT STK #
101	AS REOD	DECAL, ORANGE REFLECTIVE SHEET, 5" WIDE	MATERIAL PER SPECIFICATION	053-4813
102	2	DECAL, 'CT' WHITE REFLECTIVE, 9" X 12"	03-D004-01	053-4760
103	2	DECAL, 'CALTRANS' BLACK SCRIPT, 2 1/2"	03-D005-01	053-4763
104	1	DECAL 'CT CALTRANS' ORANGE SCRIPT, 3"	03-D014-01	053-4802
105				
106	1	APPROVED PUBLIC AWARENESS CAMPAIGN BUMPER STICKER	-	*
107	1	STRIPING, ORANGE/WHITE DIAG., REFLECTIVE, 8" X 8'	MATERIAL PER SPECIFICATION	053-2047
108	1	EQ ID # & MC #- SPECIAL ORDER	-	053-4892
109	AS REOD	APPROPRIATE FUEL TYPE DECAL: 'UNLEADED FUEL ONLY', 'E-85 OR GASOLINE', 'DIESEL ONLY'	-	053-1510 053-4990 053-1511
110	2	DECAL 'CA 90019'		053-2362

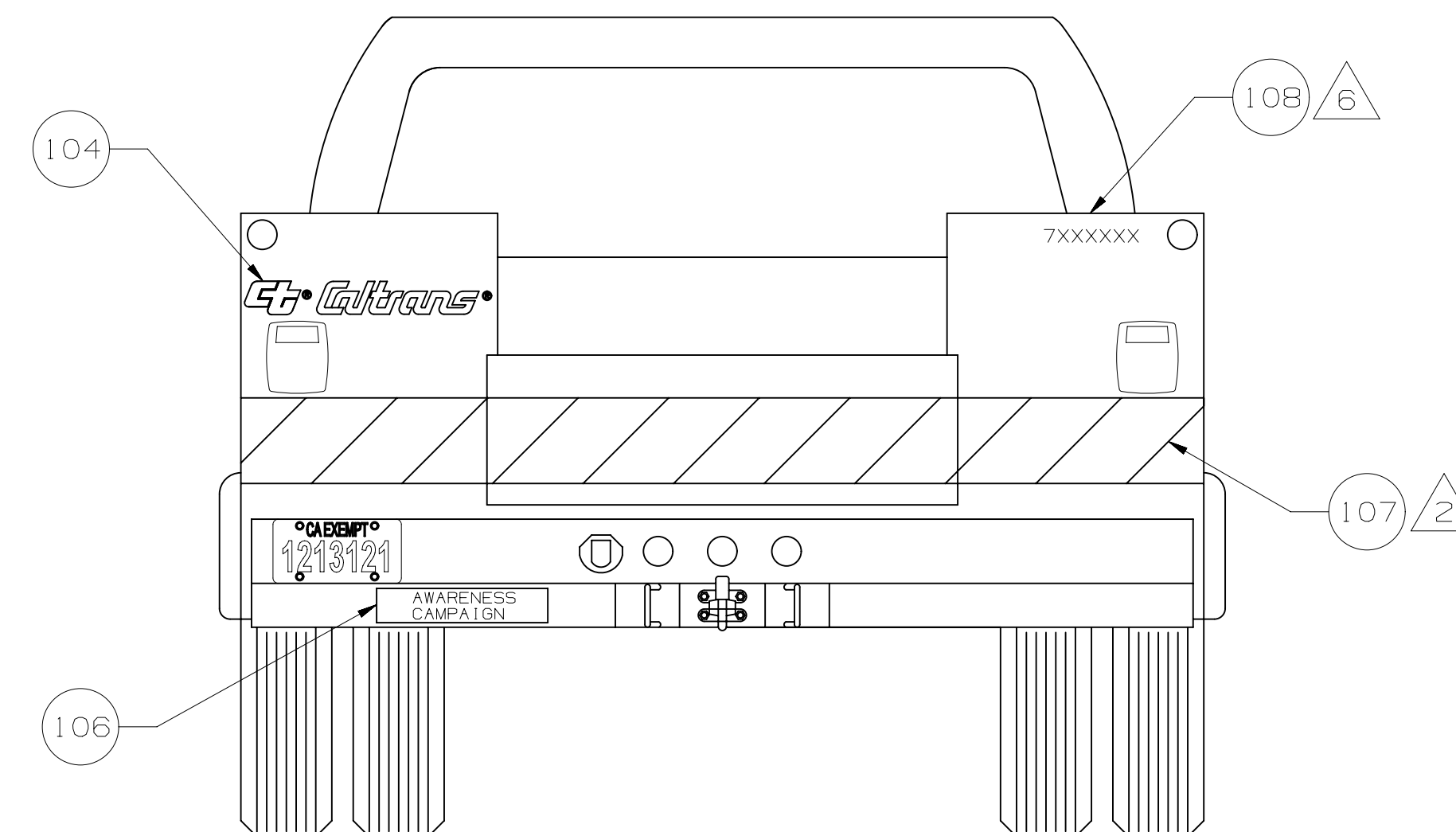


DETAIL A



DRIVER SIDE VIEW

PASSENGER SIDE- SAME DECALS



REAR VIEW

NOTES:

- 1 ALL DELINEATION WILL BE IN COMPLIANCE WITH CALTRANS EQUIPMENT QUALITY STANDARDS. GO TO www.dot.ca.gov/hq/eqsc AND CLCK ON THE LINK "EQUIPMENT QUALITY STANDARDS" THEN "FLEET IDENTIFICATION"
- 2 STRIPING APPLICATION: ALL STICKERS, LABELS AND STRIPING SHALL BE LEVEL, STRAIGHT, BUBBLE-FREE AND DEBRIS-FREE. NO SPLICING OF TAPE OR STRIPING SHALL BE ACCEPTABLE. ALL EDGES ON STRIPING SHALL BE TRIMMED 1/8-3/8 INCH FROM THE EDGES OF DOORS, PANELS, FENDERS, LIGHTS, EMBLEMS, ETC. ORANGE REFLECTIVE SHEETS (ITEM 101) AND STRIPING (ITEM 107) SHALL BE TRIMMED TO MATCH BODY CONTOURS AND CREASES WHEN IT WILL NOT LAY HORIZONTAL. ANY REFLECTIVE TYPE OF STRIPE OR STICKER SHALL NOT BE PULLED FROM THE VEHICLE AND REAPPLIED DURING APPLICATION, SINCE THE REFLECTIVE MATERIAL WILL BE COMPROMISED.
- 3 PLACE LOWER EDGE OF ITEM 101 APPROXIMATELY 1/2 WAY BETWEEN THE BOTTOM OF THE WINDOW AND THE BOTTOM OF DOOR. MAKE ADJUSTMENT SLIGHTLY AS REQUIRED TO CLEAR FENDER CUTOUTS AND OTHER FEATURES TO IMPROVE EASE OF INSTALLATION. ITEM 101 POSITION MAY BE ADJUSTED SLIGHTY TO ALIGN WITH BODY STRIPE IF POSSIBLE
- 4 ITEM 102: LOCATE SUCH THAT THE LOGO IS CENTERED ON THE VERTICAL CENTERLINE OF THE DOOR AND ON THE STRIPE (ITEM 101). STRIPE 101 TO BE TRIMMED TO MATCH EDGES OF ITEM 102
- 5 ITEM 103 TO BE LOCATED BELOW THE "CT" LOGO AND ALONG THE VERTICAL CENTERLINE OF THE DOOR.
- 6 SEVEN-DIGIT EQUIPMENT IDENTIFICATION NUMBER (EQ. ID #) ALWAYS STARTS WITH A "7" AND SHALL BE AFFIXED TO THE REAR OF THE VEHICLE IN THE UPPER RIGHT CORNER.
- 7 THE FOLLOWING DECAL GROUP SHALL BE PLACED DIRECTLY ABOVE OR NEXT TO EACH FUEL FILLER IN ORDER FROM TOP TO BOTTOM: FUEL TYPE, EQ. ID, MC#

REV	DATE	DESCRIPTION	BY
M	June 2015	UPDATE TO DECALS W/HIGH REFLECTIVITY	J Payne
L	JULY 2014	UPDATE PER 7-18-14 MEMO	J Payne
K	04/12	ADDED ITEM 105 ID SYMBOL TO DWG; ITEM 106 WAS AVERY DENNISON 911	SPARTZ
J	03/12	ITEM 110 QTY WAS 4	SPARTZ
I	05/10	ADDED ITEM 111 & NOTE 9	GEF
H	11/08	ADDED ITEM 110; UPDATED ALL DECALS	MCGAUGH/SPARTZ
G	07/08	UPDATED & CORRECTED NOTES	SPARTZ
F	03/08	DELETED CLEAN AIR DECAL (053-4758); RE-NUMBERED FROM ITEM 105 ON; ADDED DIESEL FUEL TO ITEM 108; CORRECTED CT STK NO. FOR ITEM 4892; REVISED DRAWING TITLE	SPARTZ
E	12/06	ADDED ITEMS 109 & 110	SPARTZ
D	04/06	DRAWING STANDARDIZATION UPDATE	SPARTZ
C	May 03	ADDED ITEM 106	J Payne
B	06/02	ADDED 105 AND MOVED 103 FROM CENTERLINE	MATSUO
A	01/02	ITEM 101 580 TO 680	DOWNIN

NEXT ASSEMBLY WAS 1-008UB-DE		STATE OF CALIFORNIA DEPARTMENT OF TRANSPORTATION DIVISION OF EQUIPMENT	
TOLERANCE-UNLESS OTHERWISE SPECIFIED		3/4-TON & 1-TON UTILITY BODY DELINEATION	
DECIMAL ±	FRACTIONAL ±	SCALE NONE	DATE 12/04
ANGULAR ±	DRILLED HOLES ±	DRAWN JOHNSON	DESIGNED WHEELER
REAMED HOLES ±	CHECKED	APPROVED	SHEET 1 OF 1 SHEETS
		I-00830-DE	

MAINTENANCE CLASS 10844 UTILITY BODY, 3/4 TON CREW CAB, 4x4, GAS



MAINTENANCE CLASS 10844 UTILITY BODY, 3/4 TON, CREW CAB, 4x4, GAS



MAINTENANCE CLASS 10844 UTILITY BODY, 3/4 TON, CREW CAB, 4x4, GAS



MAINTENANCE CLASS 10844 UTILITY BODY, ¾ TON, CREW CAB, 4x4, GAS



MAINTENANCE CLASS 10830 UTILITY BODY, 3/4 TON, 4x4, GAS



MAINTENANCE CLASS 10830 UTILITY BODY, 3/4 TON, 4x4, GAS



MAINTENANCE CLASS 10830 UTILITY BODY, ¾ TON, 4x4, GAS



MAINTENANCE CLASS 10830 UTILITY BODY, ¾ TON, 4x4, GAS



MAINTENANCE CLASS 10844 UTILITY BODY, 3/4-Ton, CREW CAB, 4x4, GAS



MAINTENANCE CLASS 10844 UTILITY BODY, 3/4-Ton, CREW CAB, 4x4, GAS



MAINTENANCE CLASS 10844 UTILITY BODY, 3/4-Ton, CREW CAB, 4x4, GAS



MAINTENANCE CLASS 10844 UTILITY BODY, 3/4-Ton, CREW CAB, 4x4, GAS



MAINTENANCE CLASS 11038 UTILITY BODY, 1-TON, w/ PLOW 4x4, FLEX FUEL



MAINTENANCE CLASS 11038 UTILITY BODY, 1-TON, w/ PLOW 4x4, FLEX FUEL



MAINTENANCE CLASS 11038 UTILITY BODY, 1-TON, w/ PLOW 4x4, FLEX FUEL



MAINTENANCE CLASS 11038 UTILITY BODY, 1-TON, w/ PLOW 4x4, FLEX FUEL

