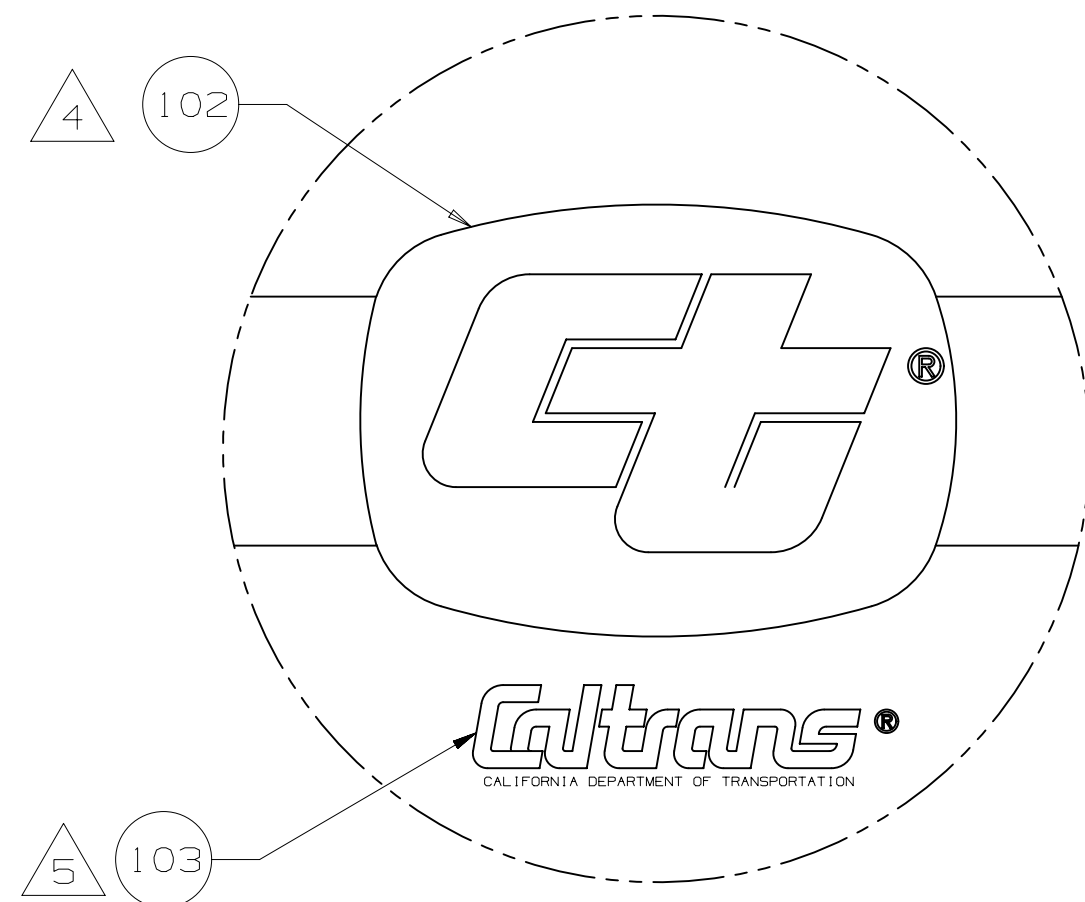
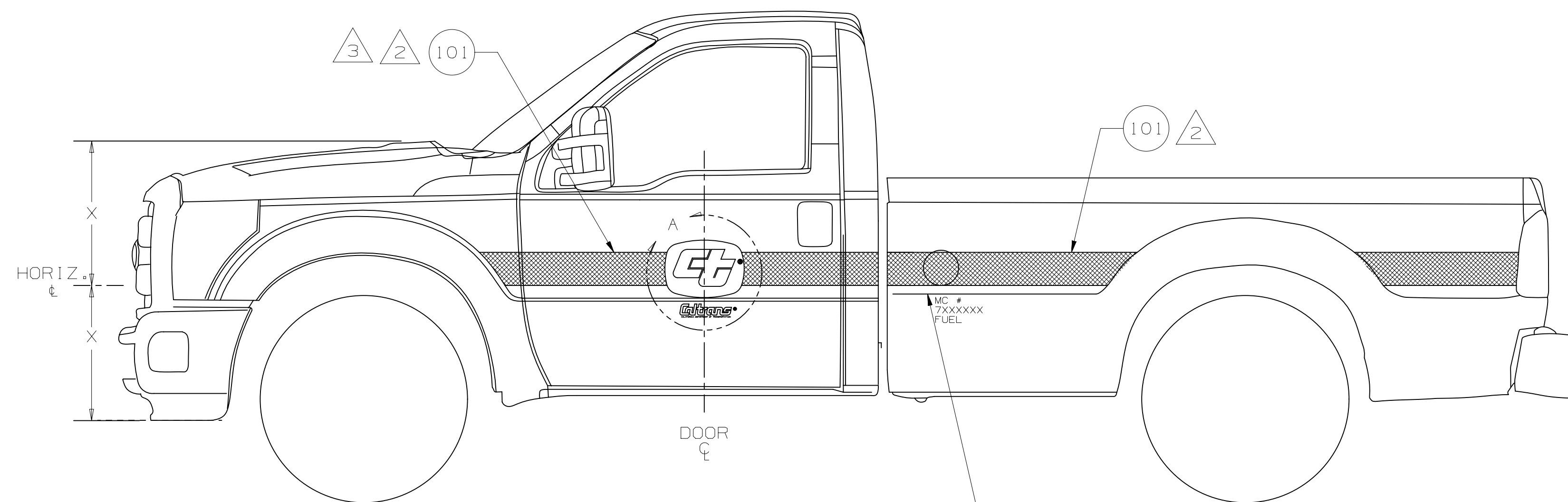


BILL OF MATERIALS

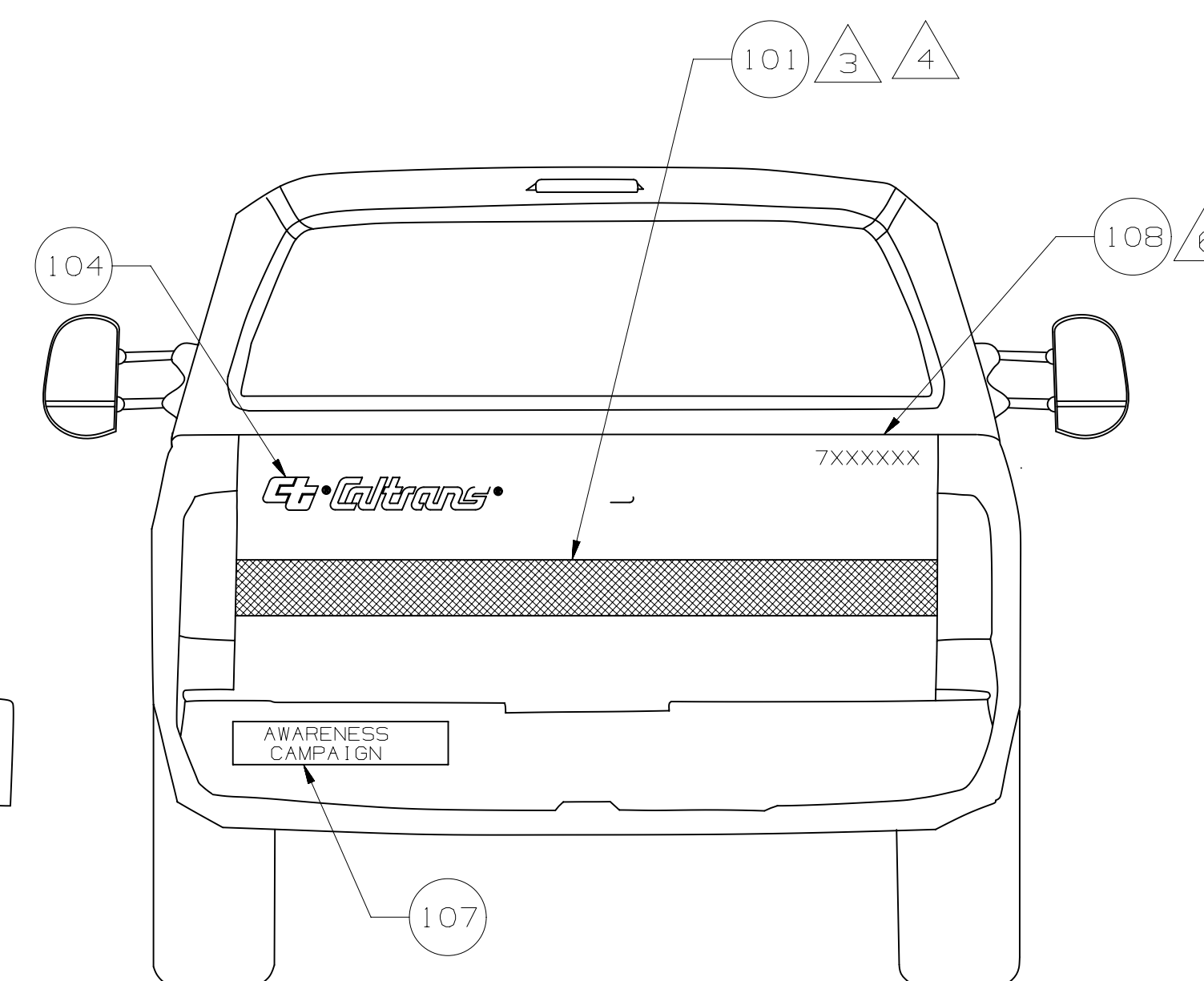
ITEM	QTY	DESCRIPTION	MF'R #/ CT DWG #	CT STK #
101	AS REQ'D	DECAL, REFLECTIVE SHEET, ORANGE, 5" WIDE	MATERIAL PER SPECIFICATION	053-4813
102	2	DECAL, 'CT' DOOR, WHITE REFLECTIVE, 9" X 12"	03-D004-01	053-4760
103	2	DECAL, 'CALTRANS' BLACK SCRIPT, 2.5"	03-D005-01	053-4763
104	1	DECAL, 'CT CALTRANS' ORANGE SCRIPT, 4"	03-D014-01	053-4801
105				
106	1	APPROVED PUBLIC AWARENESS CAMPAIGN BUMPER STICKER		
107	1	EQ. ID # & MC # DECALS - SPECIAL ORDER	-	053-4892
108	1	APPROPRIATE FUEL TYPE DECAL: 'UNLEADED FUEL ONLY' 'E-85 OR GASOLINE'	-	053-1510 053-4990



DETAIL A



DRIVER SIDE VIEW
PASSENGER SIDE- SAME DECALS



REAR VIEW

NOTES :

1 ALL DELINEATION WILL BE IN COMPLIANCE WITH CALTRANS EQUIPMENT QUALITY STANDARDS. GO TO www.dot.ca.gov/hq/eqsc AND CLICK ON THE LINK "EQUIPMENT QUALITY STANDARDS" THEN "FLEET IDENTIFICATION"

- 2 STRIPING APPLICATION: ALL STICKERS, LABELS AND STRIPING SHALL BE LEVEL, STRAIGHT, BUBBLE-FREE AND DEBRIS-FREE. NO SPLICING OF TAPE OR STRIPING SHALL BE ACCEPTABLE. ALL EDGES ON STRIPING SHALL BE TRIMMED 1/8-3/8 INCH FROM THE EDGES OF DOORS, PANELS, FENDERS, LIGHTS, EMBLEMS, ETC. ORANGE REFLECTIVE SHEETS (ITEM 101) AND STRIPING SHALL BE TRIMMED TO MATCH BODY CONTOURS AND CREASES WHEN IT WILL NOT LAY HORIZONTAL. ANY REFLECTIVE TYPE OF STRIPE OR STICKER SHALL NOT BE PULLED FROM THE VEHICLE AND REAPPLIED DURING APPLICATION, SINCE THE REFLECTIVE MATERIAL WILL BE COMPROMISED.
- 3 PLACE LOWER EDGE OF ITEM 101 APPROXIMATELY 1/2 WAY BETWEEN THE BOTTOM OF THE WINDOW AND THE BOTTOM OF DOOR. MAKE ADJUSTMENT SLIGHTLY AS REQUIRED TO CLEAR FENDER CUTOUTS AND OTHER FEATURES TO IMPROVE EASE OF INSTALLATION. ITEM 101 POSITION MAY BE ADJUSTED SLIGHTLY TO ALIGN WITH BODY STRIPE IF POSSIBLE
- 4 ITEM 102: LOCATE SUCH THAT THE LOGO IS CENTERED ON THE VERTICAL CENTERLINE OF THE DOOR AND ON THE STRIPE (ITEM 101). STRIPE 101 TO BE TRIMMED TO MATCH EDGES OF ITEM 102
- 5 ITEM 103 TO BE LOCATED BELOW THE "CT" LOGO AND ALONG THE VERTICAL CENTERLINE OF THE DOOR.
- 6 SEVEN-DIGIT EQUIPMENT IDENTIFICATION NUMBER (EQ. ID #) ALWAYS STARTS WITH A "7" AND SHALL BE AFFIXED TO THE REAR OF THE VEHICLE IN THE UPPER RIGHT CORNER.
- 7 THE FOLLOWING DECAL GROUP SHALL BE PLACED DIRECTLY ABOVE OR NEXT TO EACH FUEL FILLER IN ORDER FROM TOP TO BOTTOM: FUEL TYPE, EQ. ID, MC#

COPYRIGHT 2015 CALIFORNIA DEPARTMENT OF TRANSPORTATION. ALL RIGHTS RESERVED

THIS DOCUMENT CONTAINS CONFIDENTIAL AND PROPRIETARY INFORMATION THAT CANNOT BE REPRODUCED OR DIVULGED, IN WHOLE OR IN PART, WITHOUT WRITTEN AUTHORIZATION FROM CALTRANS DIVISION OF EQUIPMENT, OFFICE OF ENGINEERING AND PRODUCTION

REV	DATE	DESCRIPTION	BY
E	June 2015	UPDATE TO DECALS W/HIGH REFLECTIVITY	J Payne
D	July 2014	UPDATE PER 7-18-14 MEMO DWG NUM WAS 1-008PU-DE	J Payne
C	7/13	UPDATED DWG LIGHT RACK, TRUCK MODEL YEAR REMOVED NOTE 7-(CLEAN AIR STICKER), 103	ORTEGA
B	05/09	REMOVED CLEAN AIR DECAL, #104 WAS 4" INSERT "R" LOGO #105, & #110	ORTEGA
A	04/07	ADDED ITEMS 108 & 109	TARK

NEXT ASSEMBLY		STATE OF CALIFORNIA DIVISION OF EQUIPMENT	
		DIVISION OF EQUIPMENT	
TOLERANCE-UNLESS OTHERWISE SPECIFIED		3/4-TON & 1-TON FLEETSIDE PICKUP DELINEATION	
DECIMAL ±	DATE 12/04	SCALE	DESIGNED WHEELER
FRACTIONAL ±	DRAWN JOHNSON	CHECKED	APPROVED
ANGULAR ±			
DRILLED HOLES ±			
REAMED HOLES ±			
			1-00800-DE
			SHEET 1 OF 1 SHEETS



MAINTENANCE CLASS 00800 ¾- and 1-Ton SUPERDUTY FLEETSIDE PICKUPS



MAINTENANCE CLASS 00800 ¾- and 1-Ton SUPERDUTY FLEETSIDE PICKUPS





MAINTENANCE CLASS 00807 PICKUP, ¾ TON, GAS



MAINTENANCE CLASS 00807 PICKUP, ¾ TON, GAS



MAINTENANCE CLASS 00807 PICKUP, ¾ TON, GAS





MAINTENANCE CLASS 10807 PICKUP, ¾ TON, 4x4 GAS



MAINTENANCE CLASS 10807 PICKUP, 3/4 TON, 4x4 GAS



MAINTENANCE CLASS 10807 PICKUP, ¾ TON, 4x4 GAS



MAINTENANCE CLASS 10807 PICKUP, ¾ TON, 4x4 GAS



MAINTENANCE CLASS 00828 PICKUP ¾ TON, EXTENDED CAB, FLEX FUEL



MAINTENANCE CLASS 00828 PICKUP ¾ TON, EXTENDED CAB, FLEX FUEL



MAINTENANCE CLASS 00828 PICKUP ¾ TON, EXTENDED CAB, FLEX FUEL



MAINTENANCE CLASS 00828 PICKUP ¾ TON, EXTENDED CAB, FLEX FUEL

