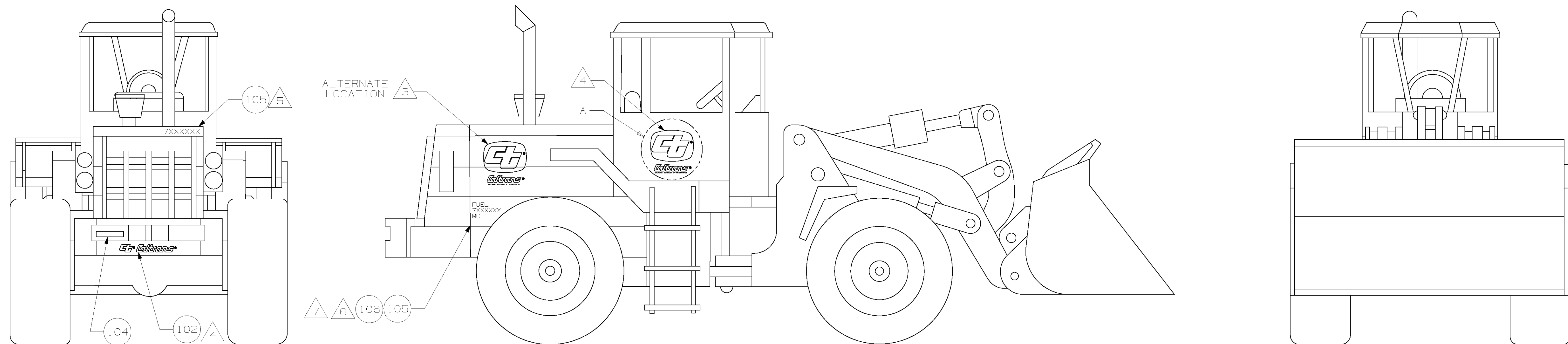
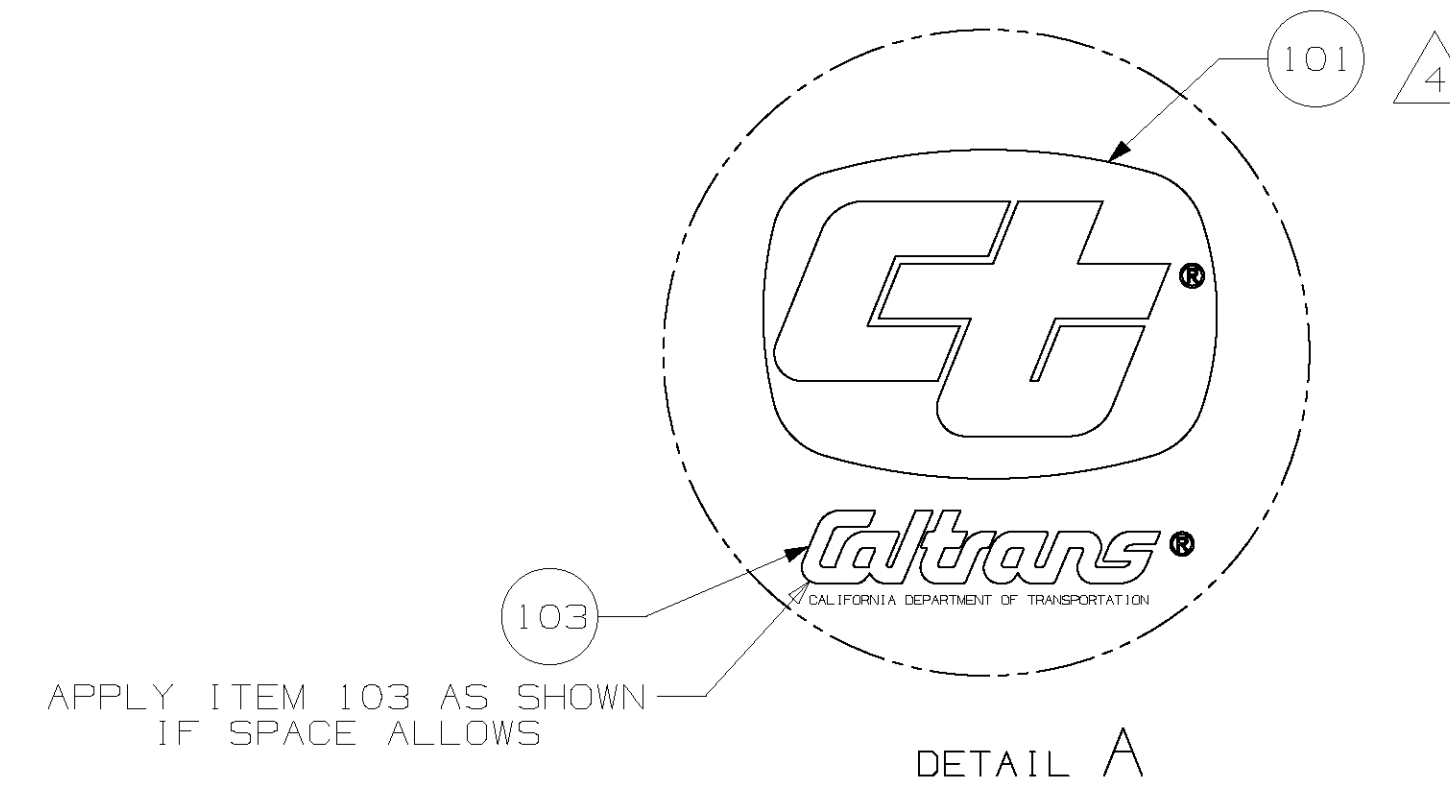


BILL OF MATERIALS

ITEM	QTY	DESCRIPTION	MANUF # DWG NO.	CT NO.	
△4	101	2	DECAL, 'CT' WHITE REFLECTIVE, 7" X 9"	03-D004-01	053-4761
	102	1	DECAL, 'CT CALTRANS' WHITE SCRIPT, 3"	03-D014-01	053-4752
△4	103	2	DECAL, 'CALTRANS' BLACK SCRIPT, 2"	03-D005-01	053-4764
	104	1	APPROVED PUBLIC AWARENESS CAMPAIGN BUMPER STICKER	X	*
△5	105	1	EQ. ID # & MC # DECALS - SPECIAL ORDER	X	053-4892
△6	106	△7	APPROPRIATE FUEL TYPE DECAL: 'DIESEL ONLY'	X	053-1511



NOTES :

1. ALL DELINEATION WILL BE IN COMPLIANCE WITH CALTRANS EQUIPMENT QUALITY STANDARDS. GO TO www.dot.ca.gov/hq/eqsc TO VIEW EQUIPMENT QUALITY STANDARDS.
2. STRIPING APPLICATION: ALL STICKERS, LABELS AND STRIPING SHALL BE LEVEL, STRAIGHT, BUBBLE FREE AND DEBRIS FREE. NO SPLICING OF TAPE OR STRIPING SHALL BE ACCEPTABLE. ALL EDGES ON STRIPING SHALL BE TRIMMED 1/8 INCH FROM THE EDGES OF DOORS, PANELS, FENDERS, LIGHTS, EMBLEMS, ETC. ANY REFLECTIVE TYPE OF STRIPE OR STICKER MAY NOT BE PULLED FROM THE VEHICLE AND REAPPLIED DURING APPLICATION, SINCE THE REFLECTIVE MATERIAL WILL BE COMPROMISED.
- △3 INSTALL 101, 103 IN ALTERNATE LOCATION IF DECALS WILL NOT FIT ON DOOR AS SHOWN.
- △4 ITEM 101 AND 103 TO BE LOCATED SUCH THAT "CT" LOGO ITEM 101 IS CENTERED ON ITEM 103 AND CENTERED ON THE VERTICAL CENTER LINE OF THE DOOR.
- △5 SEVEN-DIGIT EQUIPMENT IDENTIFICATION NUMBER (EQ. ID #) ALWAYS STARTS WITH A "7" AND SHALL BE AFFIXED TO THE REAR OF THE VEHICLE IN THE UPPER RIGHT CORNER.
- △6 THE FOLLOWING DECAL GROUP SHALL BE PLACED DIRECTLY ABOVE OR NEXT TO THE FUEL FILLER IN ORDER FROM TOP TO BOTTOM:
FUEL TYPE, EQ. ID, MC
- △7 QUANTITY OF MC# AND FUEL TYPE DECALS MAY VARY BY CHASSIS SUPPLIER; ONE OF EACH DECAL PER FUEL FILLER.

C	June 2015	UPDATE TO DECALS W/HIGH REFLECTIVITY	J Payne
B	July 2014	UPDATED PER 7-18-14 MEMO	J Payne
A	Dec 2012	UPDATED NOTE SET	J Payne
REV		DESCRIPTION	BY
NEXT ASSEMBLY		STATE OF CALIFORNIA DEPARTMENT OF TRANSPORTATION	
XX		DIVISION OF EQUIPMENT	
TOLERANCE-UNLESS OTHERWISE SPECIFIED		FRONT END LOADER, DELINEATION	
DECIMAL	± x	SCALE	x
FRACTIONAL	± x	DATE	18 June 12
ANGULAR	± x	DRAWN	J Payne
DRILLED HOLES	+ x	DESIGNED	x
REAMED HOLES	± x	CHECKED	
		APPROVED	
			I-41846-DE
			SHEET 1 OF 1 SHEETS