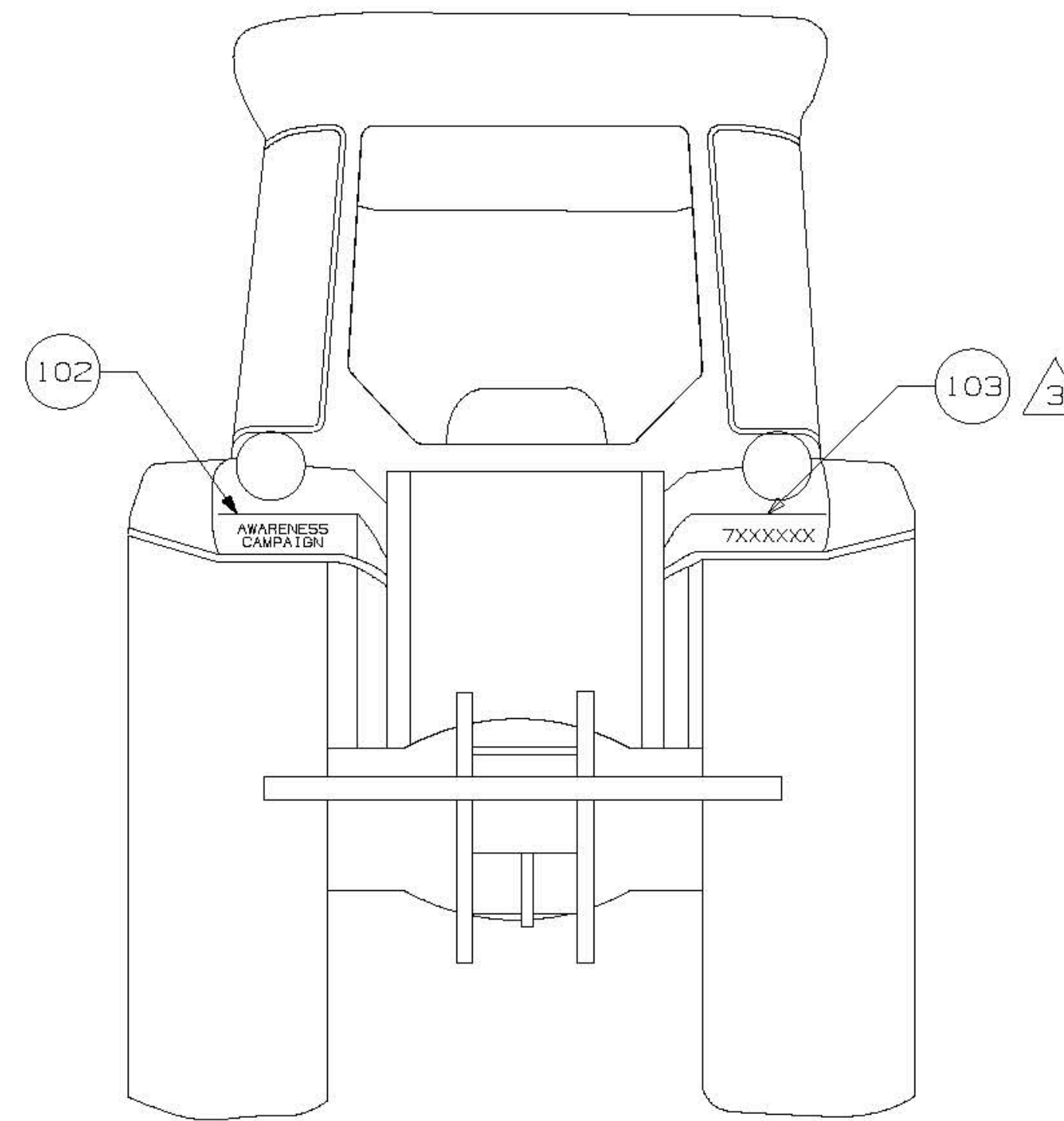
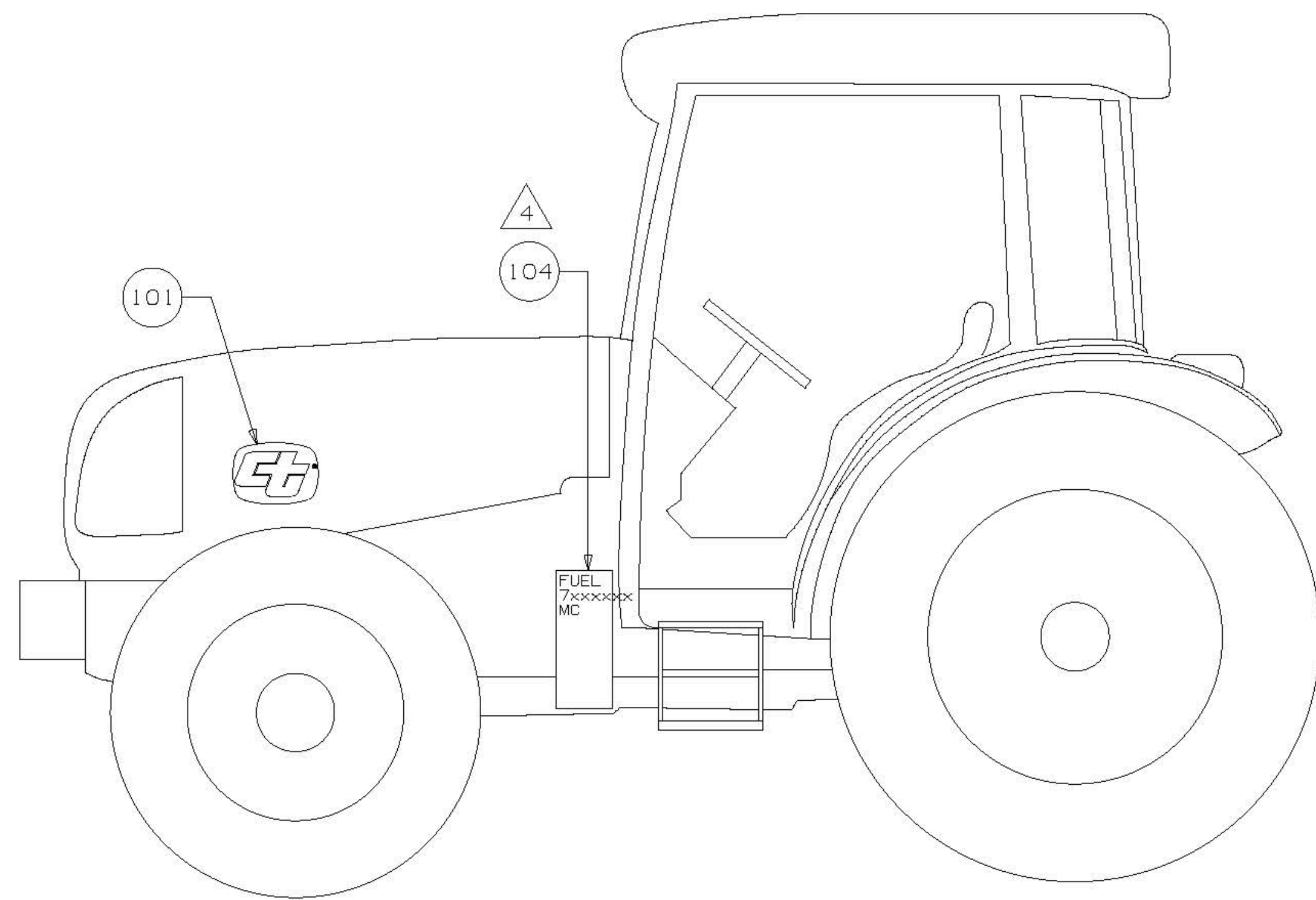




BILL OF MATERIALS

ITEM	QTY	DESCRIPTION	CT DWG # / MF'R #	CT STK #
101	2	DECAL, 'CT' WHITE REFLECTIVE, 9" X 12"	03-D004-01	053-4760
102	1	APPROVED PUBLIC AWARENESS CAMPAIGN BUMPER STICKER		
4 103	1	EQ. ID # & MC # DECALS - SPECIAL ORDER	X	053-4892
4 104	1	APPROPRIATE FUEL TYPE DECAL: *UNLEADED FUEL ONLY* *E-85 OR GASOLINE* *DIESEL ONLY*	X	053-1510 053-4990 053-1511



NOTES:

- ALL DELINEATION WILL BE IN COMPLIANCE WITH CALTRANS EQUIPMENT QUALITY STANDARDS. GO TO www.dot.ca.gov/hq/eqsc AND CLICK ON THE LINK "EQUIPMENT QUALITY STANDARDS" THEN "FLEET IDENTIFICATION"
- STRIPING APPLICATION: ALL STICKERS, LABELS AND STRIPING SHALL BE LEVEL, STRAIGHT, BUBBLE-FREE AND DEBRIS-FREE. NO SPLICING OF TAPE OR STRIPING SHALL BE ACCEPTABLE. ALL EDGES ON STRIPING SHALL BE TRIMMED 1/8 INCH FROM THE EDGES OF DOORS, PANELS, FENDERS, LIGHTS, EMBLEMS, ETC. ORANGE REFLECTIVE SHEETS (ITEM 101) AND STRIPING (ITEM 107) SHALL BE TRIMMED TO MATCH BODY CONTOURS AND CREASES WHEN IT WILL NOT LAY HORIZONTAL. ANY REFLECTIVE TYPE OF STRIPE OR STICKER SHALL NOT BE PULLED FROM THE VEHICLE AND REAPPLIED DURING APPLICATION, SINCE THE REFLECTIVE MATERIAL WILL BE COMPROMISED.
- SEVEN-DIGIT EQUIPMENT IDENTIFICATION NUMBER (EQ. ID #) ALWAYS STARTS WITH A "7" AND SHALL BE AFFIXED TO THE REAR OF THE VEHICLE IN THE UPPER RIGHT CORNER.
- THE FOLLOWING DECAL GROUP SHALL BE PLACED DIRECTLY ABOVE OR NEXT TO EACH FUEL FILLER IN ORDER FROM TOP TO BOTTOM: FUEL TYPE, EQ. ID, MC#

B	June 2015	UPDATE TO DECALS W/HIGH REFLECTIVITY	J Payne
A	July 2014	UPDATED PER 7-18-14 MEMO	J Payne
REV		DESCRIPTION	BY
NEXT ASSEMBLY		STATE OF CALIFORNIA	
XX		DEPARTMENT OF TRANSPORTATION	
		DIVISION OF EQUIPMENT	
TOLERANCE-UNLESS OTHERWISE SPECIFIED		TRACTOR, WHEEL, BOOM MT MOWER	
DECIMAL ± x	SCALE X	DATE 5 Mar 14	1-59222-DE
FRACTIONAL ± x	DRAWN J Payne	DESIGNED X	
ANGULAR ± x	CHECKED	APPROVED	
GRILLED HOLES ± x			
REAMED HOLES ± x			SHT 1 OF 1