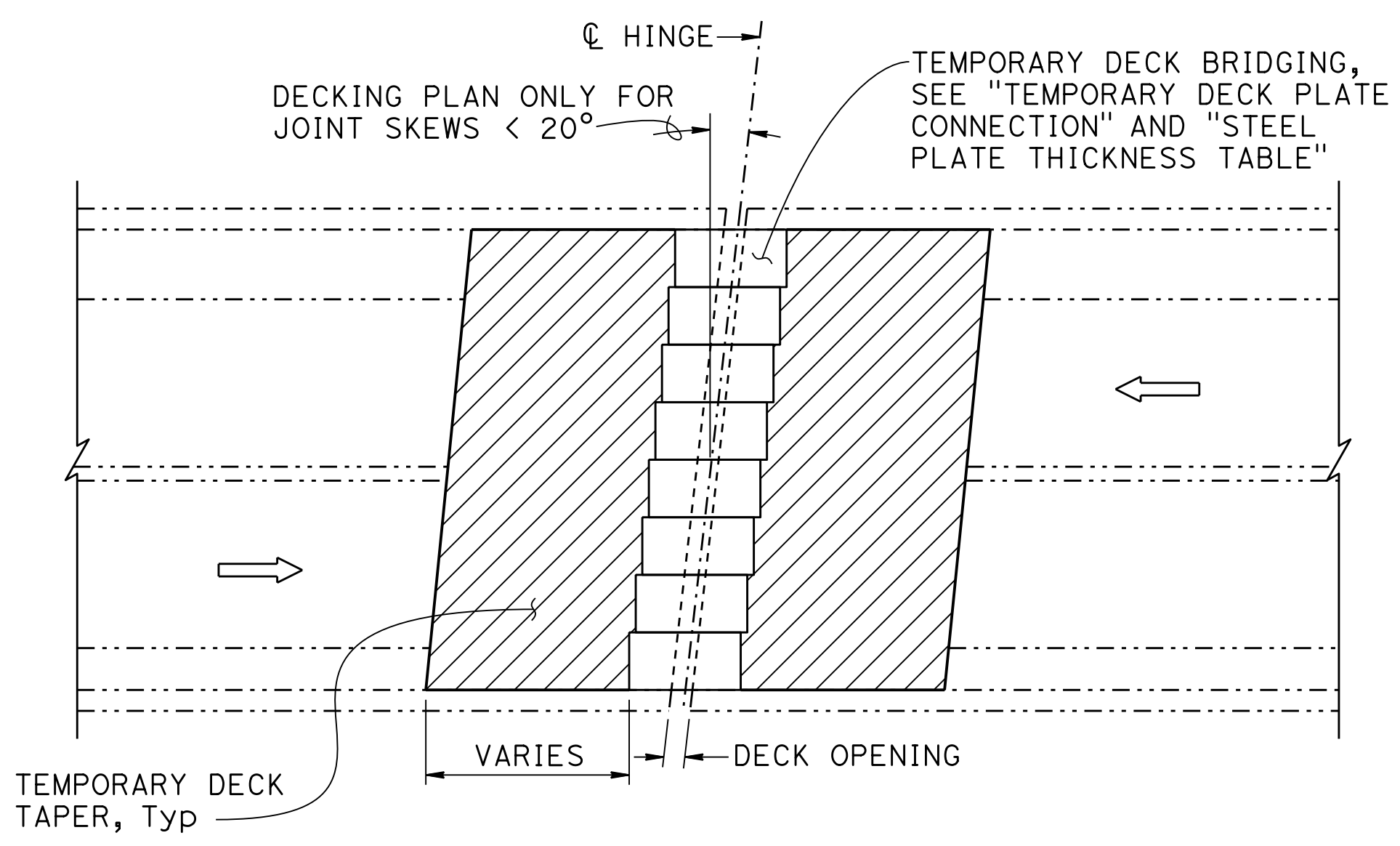


REGISTERED CIVIL ENGINEER X DATE _____

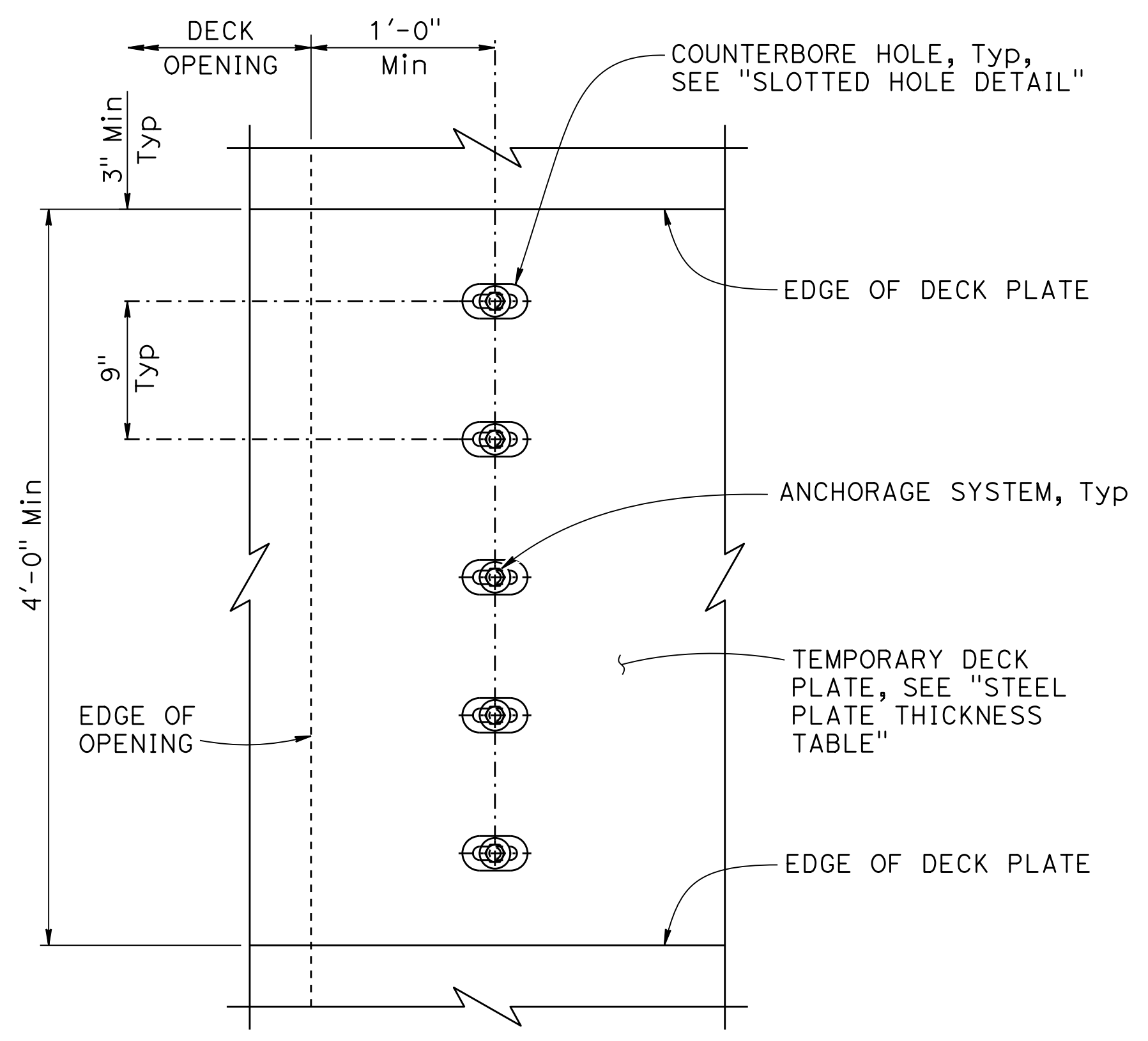
PLANS APPROVAL DATE _____

THE STATE OF CALIFORNIA OR ITS OFFICERS OR AGENTS SHALL NOT BE RESPONSIBLE FOR THE ACCURACY OR COMPLETENESS OF SCANNED COPIES OF THIS PLAN SHEET.

THE REGISTERED CIVIL ENGINEER FOR THE PROJECT IS RESPONSIBLE FOR THE SELECTION AND PROPER APPLICATION OF THE COMPONENT DESIGN AND ANY MODIFICATIONS SHOWN.



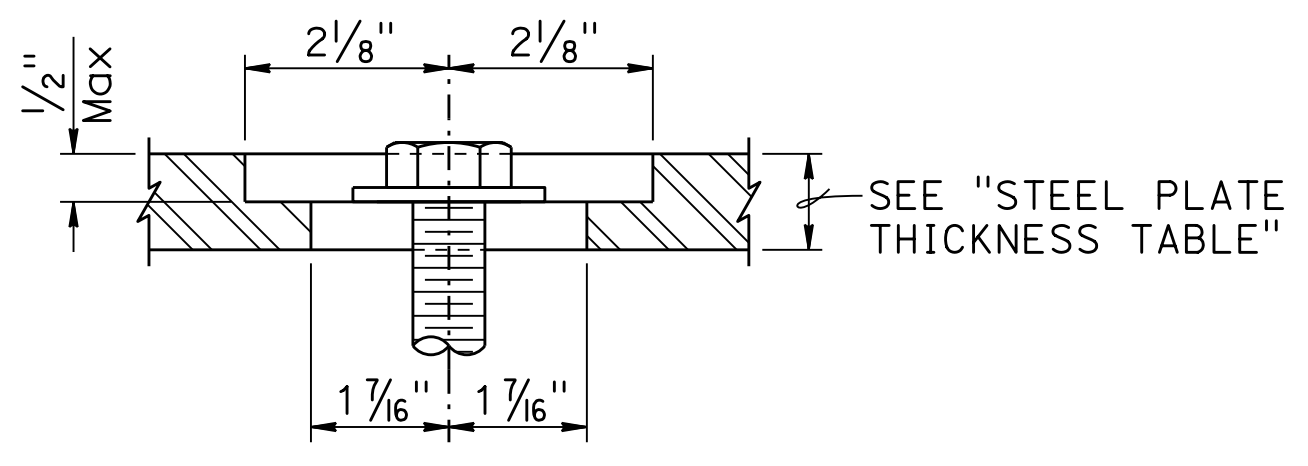
TEMPORARY DECK BRIDGING PLAN
NO SCALE



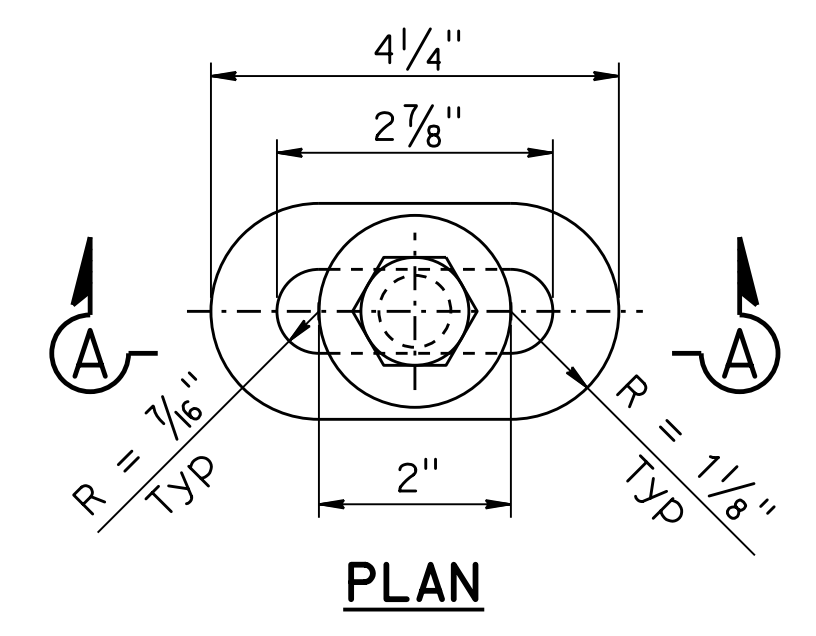
BOLT LAYOUT DETAIL
1/2" = 1'-0"

NOTE:
Slotted holes shown,
regular 7/8"Ø holes similar.

Span (Feet)	Minimum Plate Thickness (Inches)
1 1/2	1
2	1
2 1/2	1
3	1
3 1/2	1
4	1 1/2
4 1/2	1 1/2
5	1 1/2

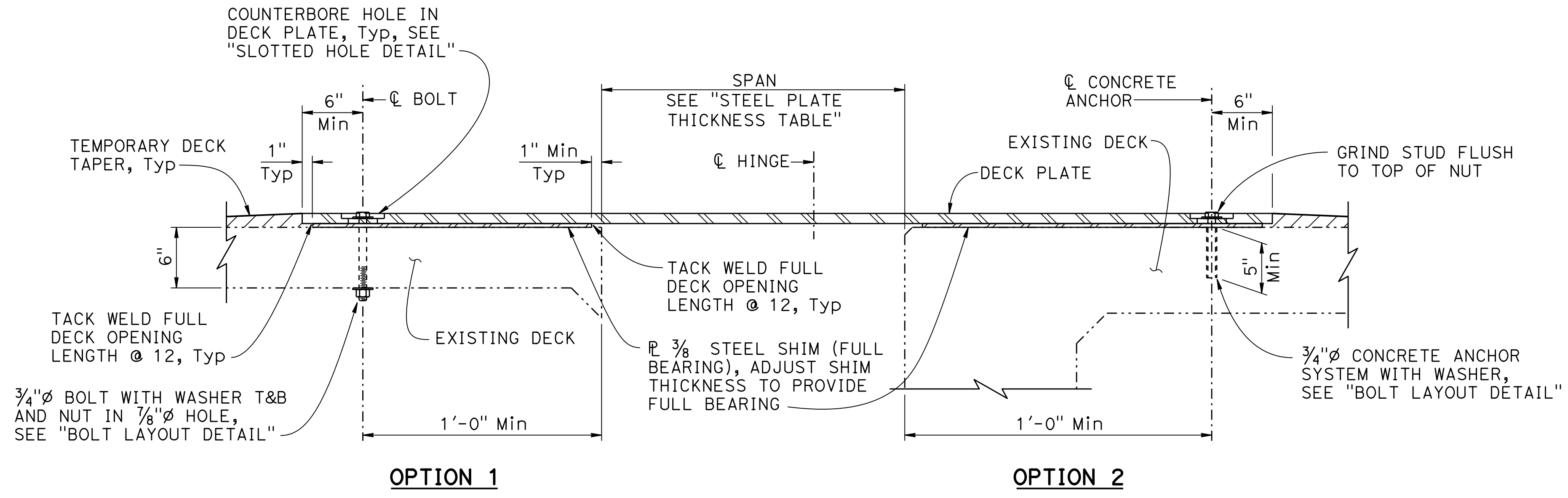


SECTION A-A



NOTE:
Counterbore bolt holes with slotted holes to allow for thermal expansion at end of plate departure. Counterbore details similar for regular 7/8"Ø holes.

SLOTTED HOLE DETAIL
6" = 1'-0"



TEMPORARY DECK PLATE CONNECTION
NO SCALE

LEGEND:
Limits of place temporary deck taper at approach and departure sides of temporary deck bridging