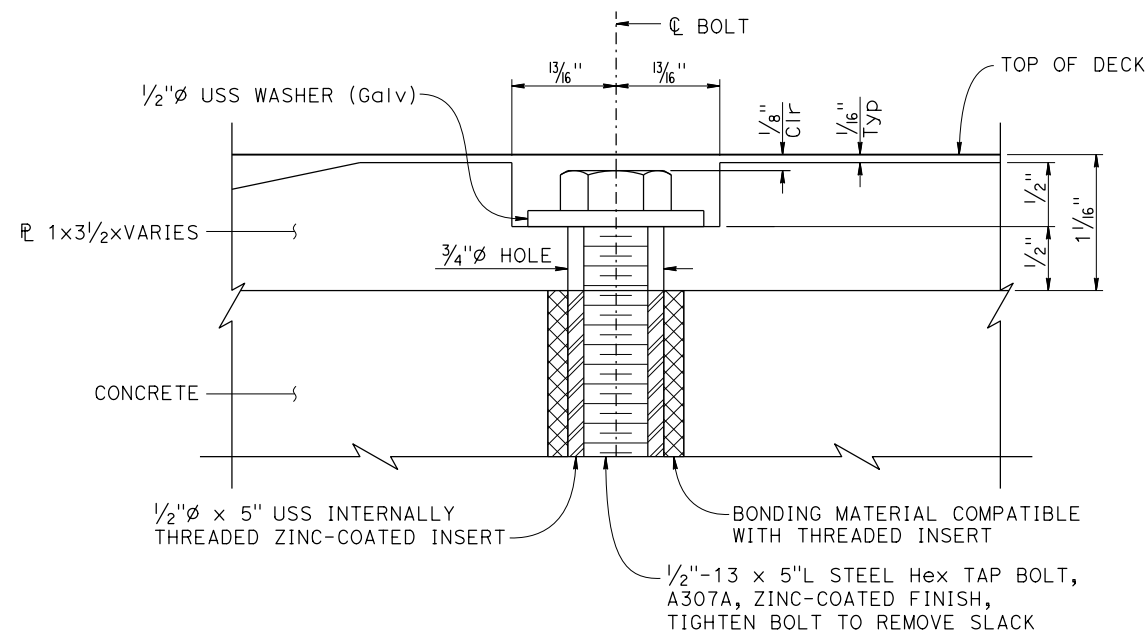
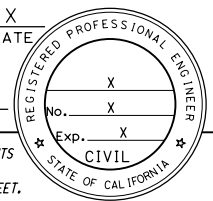
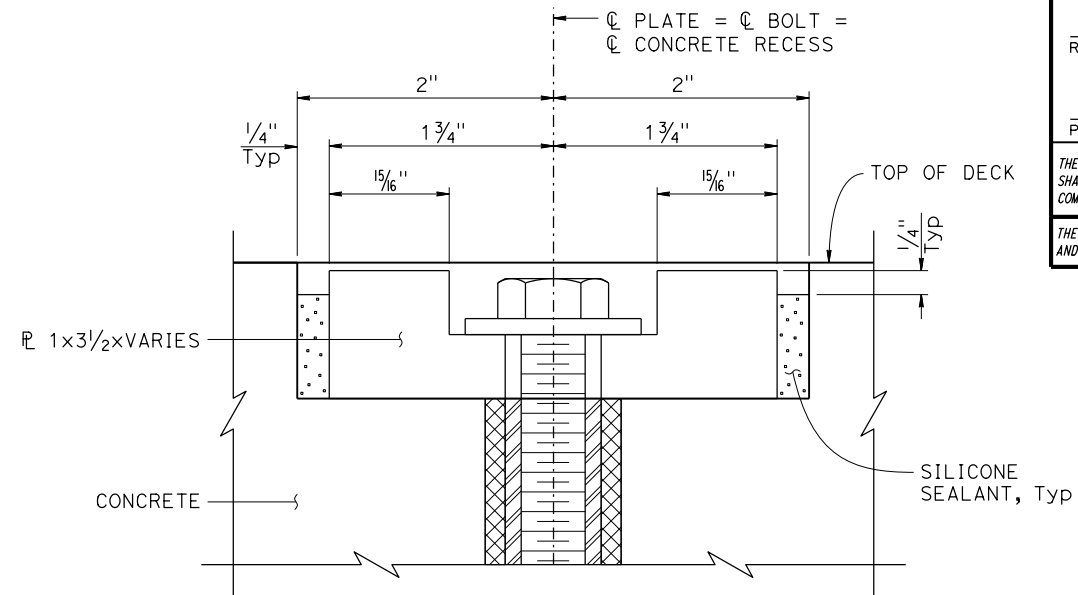


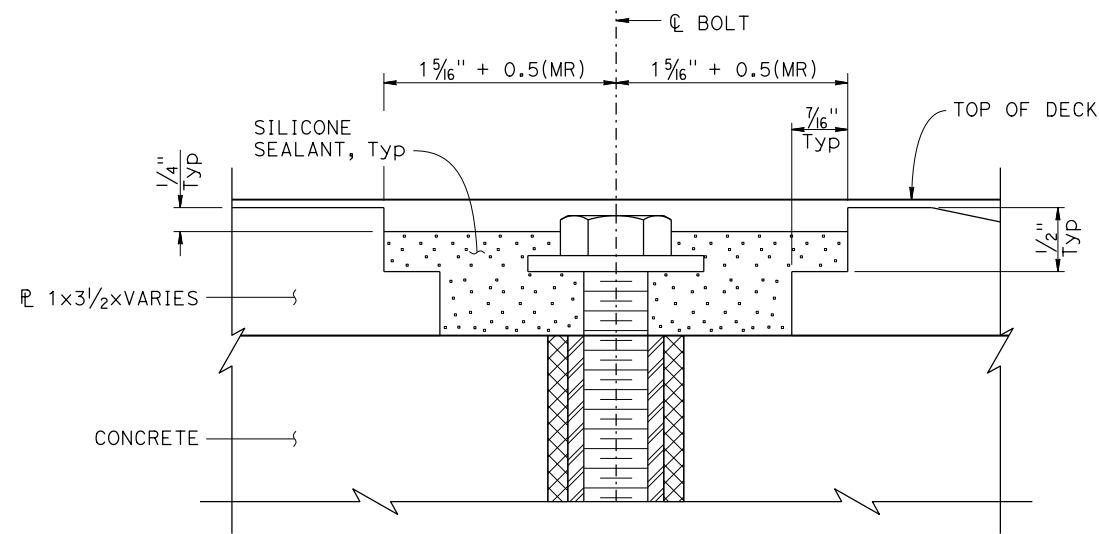
Dist	COUNTY	ROUTE	POST MILES TOTAL PROJECT	SHEET No.	TOTAL SHEETS
			X		
REGISTERED CIVIL ENGINEER			DATE	X	
PLANS APPROVAL DATE				X	
THE STATE OF CALIFORNIA OR ITS OFFICERS OR AGENTS SHALL NOT BE RESPONSIBLE FOR THE ACCURACY OR COMPLETENESS OF SCANNED COPIES OF THIS PLAN SHEET.					
THE REGISTERED CIVIL ENGINEER FOR THE PROJECT IS RESPONSIBLE FOR THE SELECTION AND PROPER APPLICATION OF THE COMPONENT DESIGN AND ANY MODIFICATIONS SHOWN.					



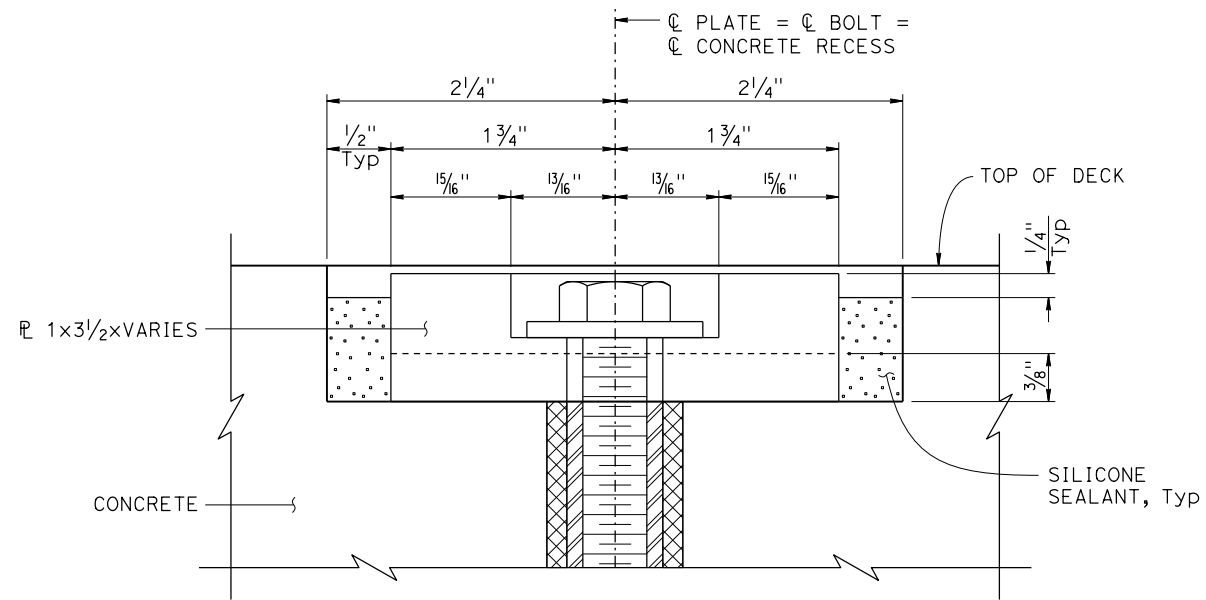
SECTION B-B



SECTION C-C



SECTION D-D



SECTION E-E

- LEGEND:
- Silicone Sealant
 - Bonding Material
 - Threaded Insert

NO SCALE

BRIDGE STANDARD DETAILS		DESIGN BY X	CHECKED X	STATE OF CALIFORNIA DEPARTMENT OF TRANSPORTATION	DIVISION OF ENGINEERING SERVICES	BRIDGE No.	X	SNOWPLOW DEFLECTOR DETAILS No. 2
xs8-130-2 FILE NO.	March 2026 APPROVAL DATE	DETAILS BY X	CHECKED X			XX-XXXX POST MILE		
		QUANTITIES BY X	CHECKED X			X.X		
Refer to: http://www.dot.ca.gov/hq/esc/techpubs/manual/bridgemanuals/bridge-standard-detail-sheets/index.html		DATE PLOTTED => 19-MAR-2026	TIME PLOTTED => 13:33	ORIGINAL SCALE IN INCHES FOR REDUCED PLANS	UNIT: XXXX	COUNTY/ROUTE/ZONE: XXX/XXX/X	DISREGARD PRINTS BEARING EARLIER REVISION DATES	REVISION DATES
		FILE => 202510-xs8-130-2.dgn	USERNAME => s147461	0 1 2 3	PROJECT NUMBER & PHASE: XXXXXXXXXX1	CONTRACT No.: XX-XXXXX4		SHEET OF X X