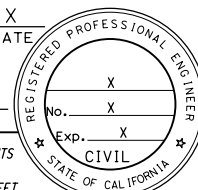
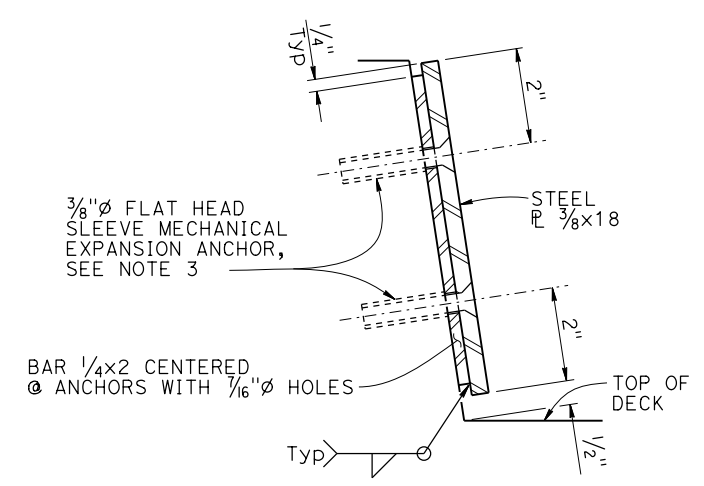
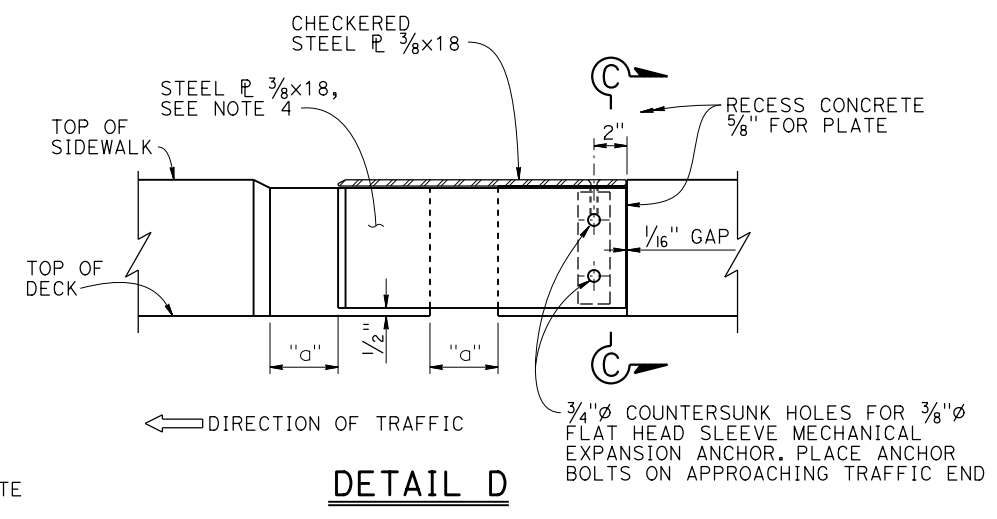
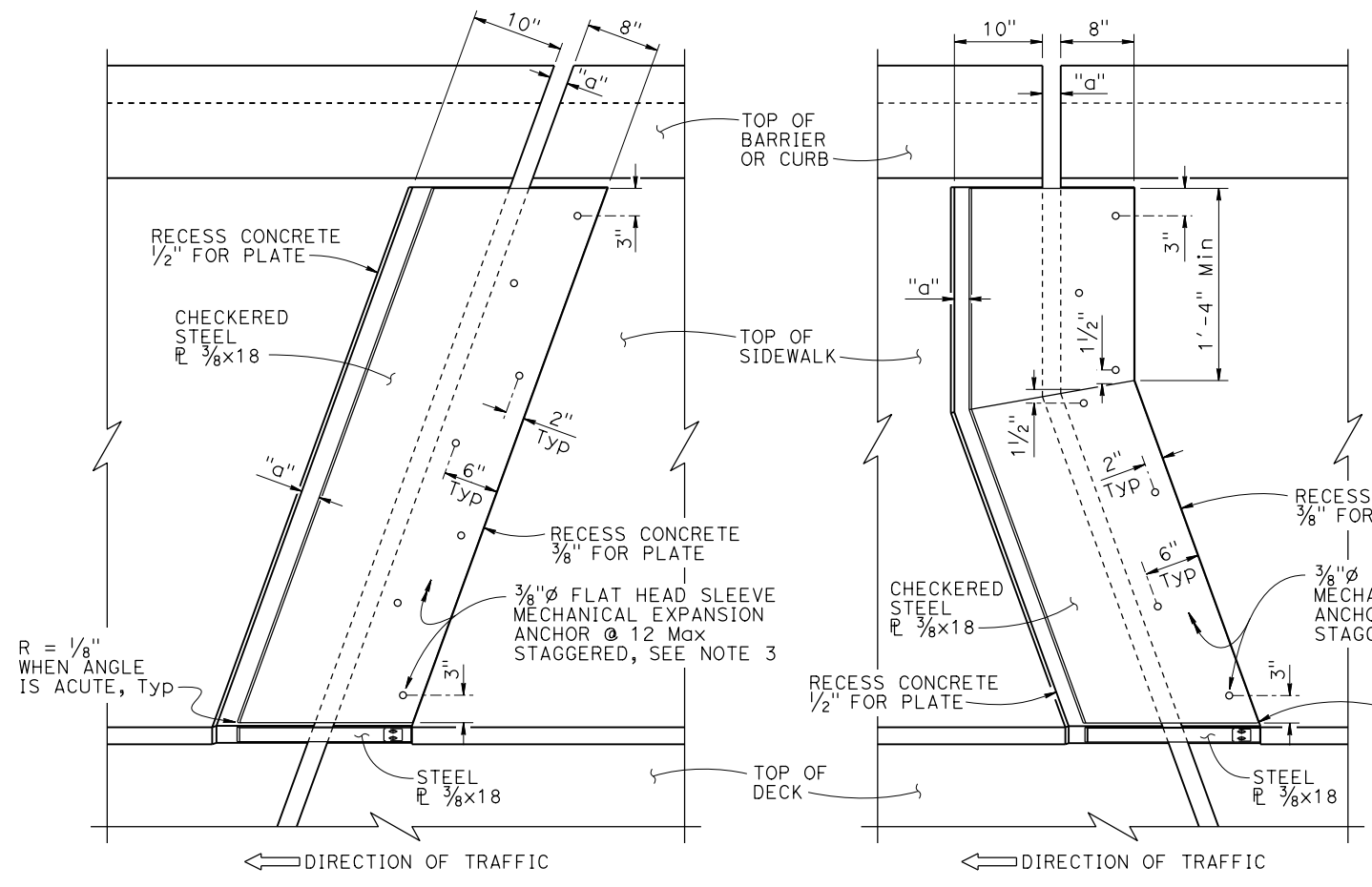
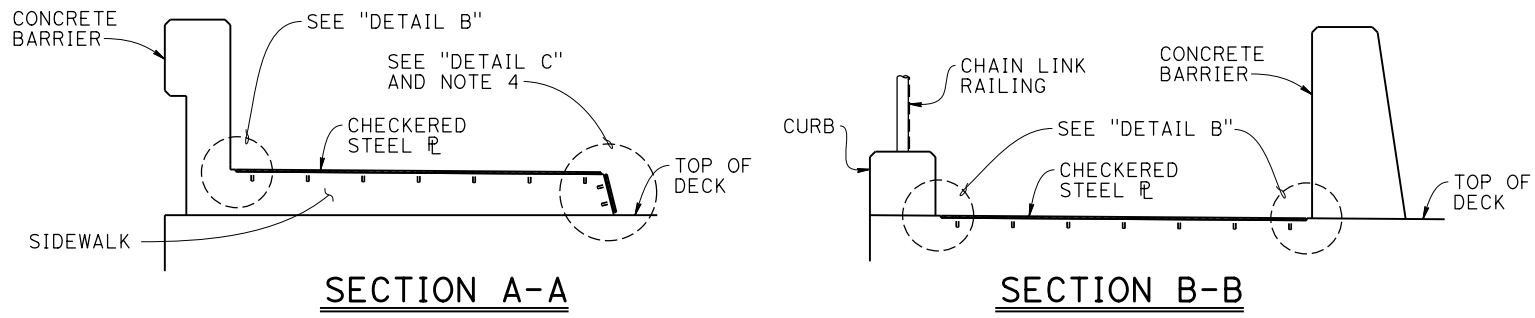
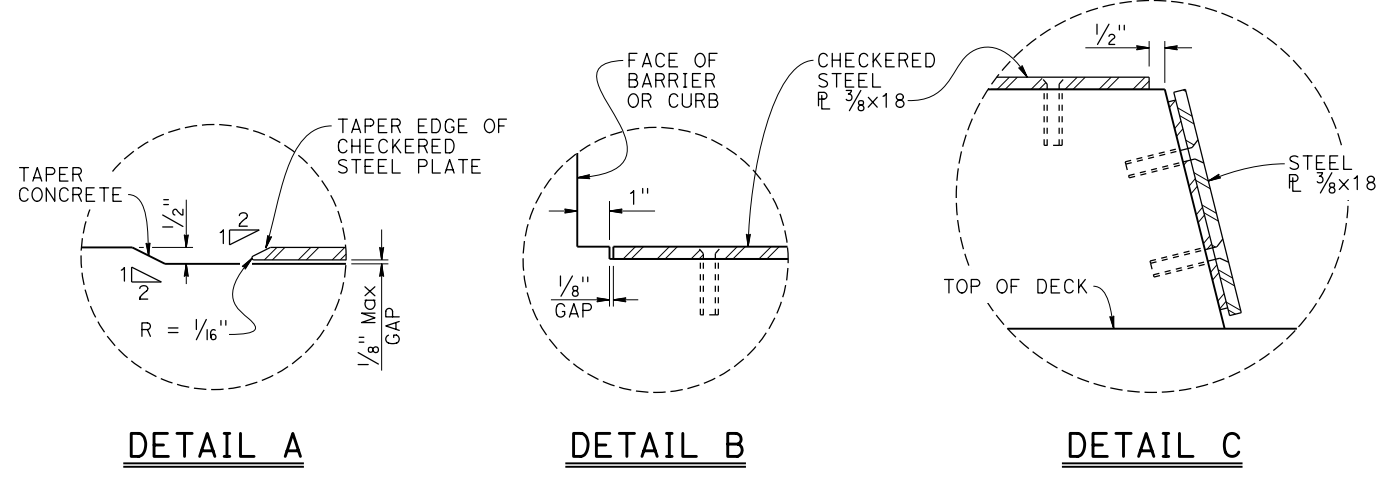
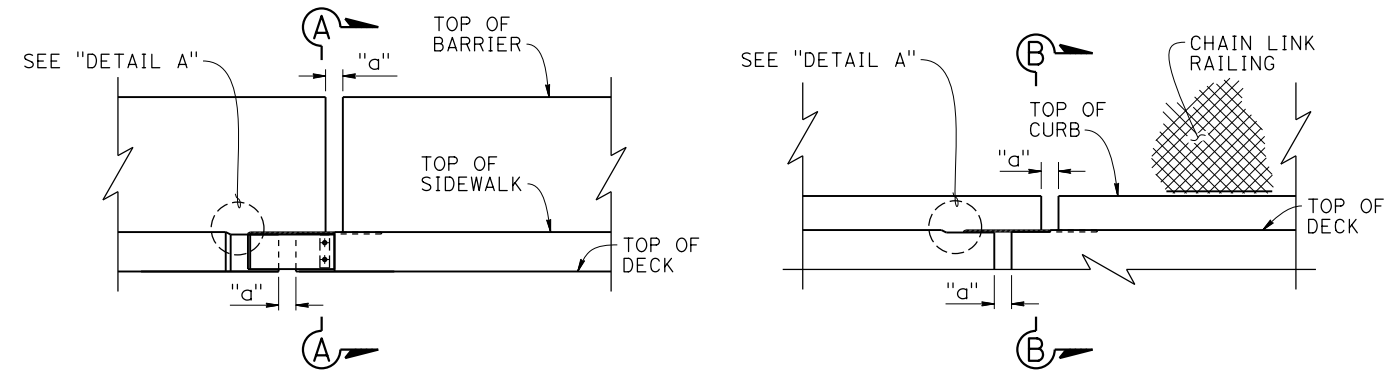


Dist	COUNTY	ROUTE	POST MILES TOTAL PROJECT	SHEET No.	TOTAL SHEETS
REGISTERED CIVIL ENGINEER			X	DATE	
PLANS APPROVAL DATE					
THE STATE OF CALIFORNIA OR ITS OFFICERS OR AGENTS SHALL NOT BE RESPONSIBLE FOR THE ACCURACY OR COMPLETENESS OF SCANNED COPIES OF THIS PLAN SHEET.					



- NOTES:
- Utility openings and expansion joints not shown for clarity.
 - Plates shall be galvanized.
 - Length for 3/8" flat head sleeve mechanical expansion anchor shall be 1 3/4" minimum and 3" maximum.
 - When "a" dimension is less than or equal to 1", Steel PL 3/8x18 for curb and associated hardware and recess is not required.



NO SCALE

BRIDGE STANDARD DETAILS		DESIGN	BY X	CHECKED X	STATE OF CALIFORNIA DEPARTMENT OF TRANSPORTATION	BRIDGE No. XX-XXXX POST MILE X.X	X COVER PLATE FOR PEDESTRIAN WALKWAYS							
x88-050	March 2026	DETAILS	BY X	CHECKED X										
FILE No.	APPROVAL DATE	QUANTITIES	BY X	CHECKED X										
Refer to: http://www.dot.ca.gov/hq/esc/techpubs/manual/bridgemanuals/bridge-standard-detail-sheets/index.html		DATE PLOTTED => 19-MAR-2026	TIME PLOTTED => 13:32	ORIGINAL SCALE IN INCHES FOR REDUCED PLANS	0	1	2	3	UNIT: XXXX	COUNTY/ROUTE/ZONE: XXX/XXX/X	DISREGARD PRINTS BEARING EARLIER REVISION DATES	REVISION DATES	SHEET	OF
		FILE => 202510-x88-050.dgn	USERNAME => s147461		0	1	2	3	PROJECT NUMBER & PHASE: XXXXXXXXXX1	CONTRACT No.: XX-XXXXX4		06-20-24	X	X