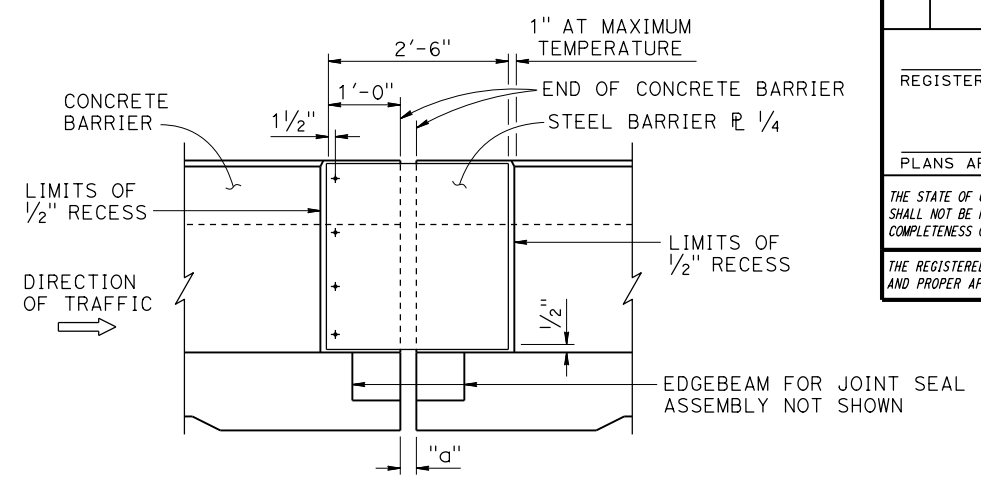
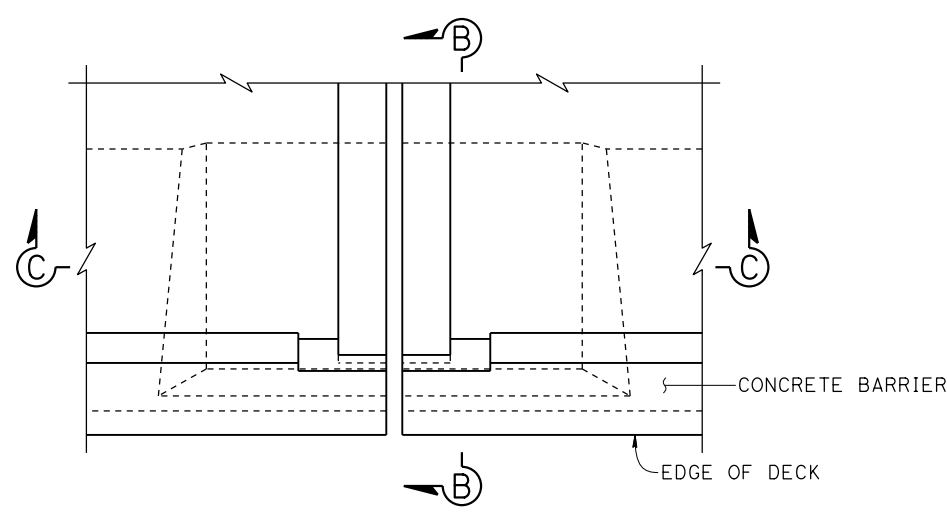


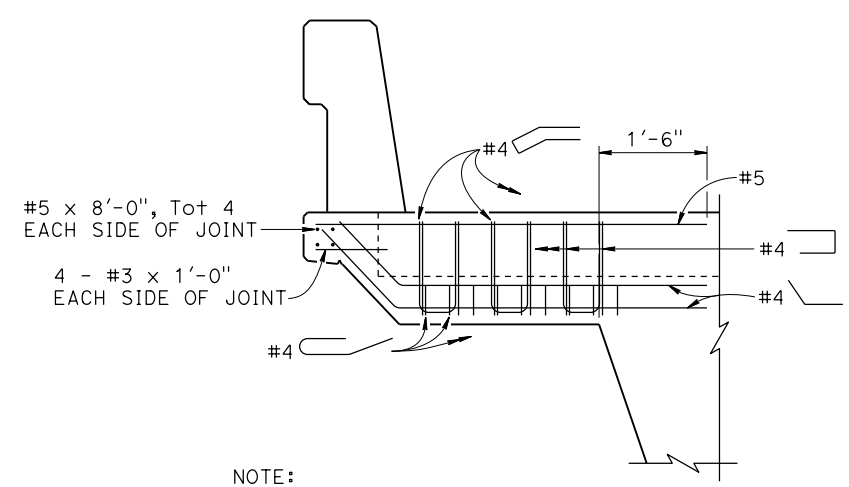
SEAL INSTALLATION
3/4" = 1'-0"



ELEVATION A-A
3/4" = 1'-0"



PLAN - DECK JOINT
3/4" = 1'-0"

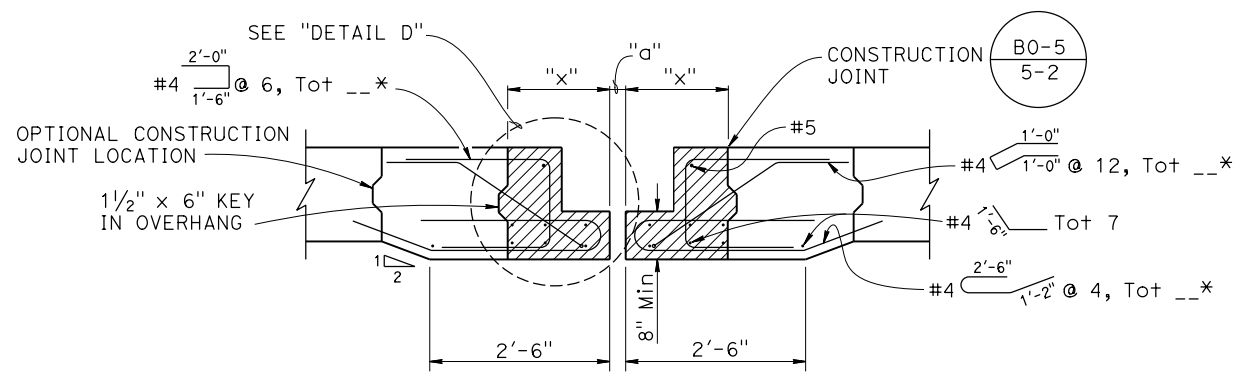


NOTE: Reinforcement shown is in addition to slab reinforcement.

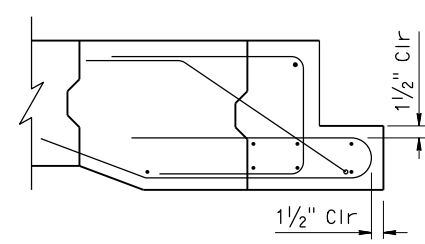
SECTION B-B
3/4" = 1'-0"

| JOINT INFORMATION | | | "a" DIMENSIONS | | |
|-------------------|---------------------|------|----------------|---------------|--------|
| LOCATION | MOVEMENT RANGE (MR) | SKEW | WINTER | SPRING & FALL | SUMMER |
| | | | | | |
| | | | | | |
| | | | | | |

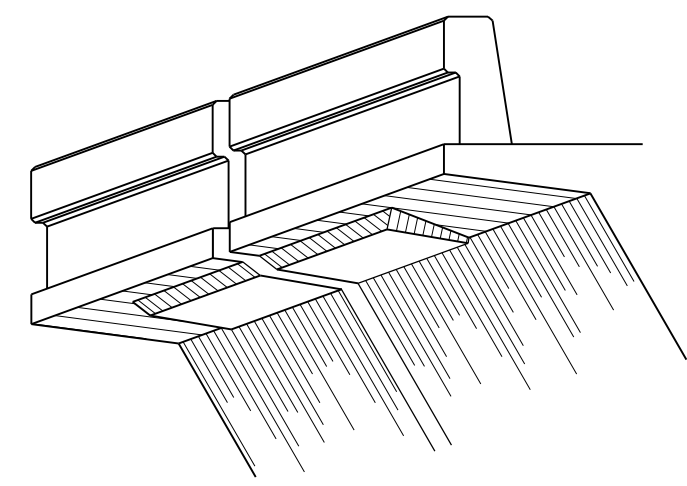
LEGEND:
* To be determined by Engineer based on length of overhang
Joint Seal Assembly Blockout



SECTION C-C
3/4" = 1'-0"



DETAIL D
1" = 1'-0"



DECK OVERHANG AT HINGE
NO SCALE