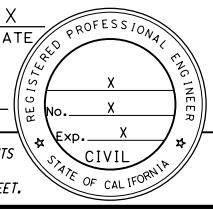
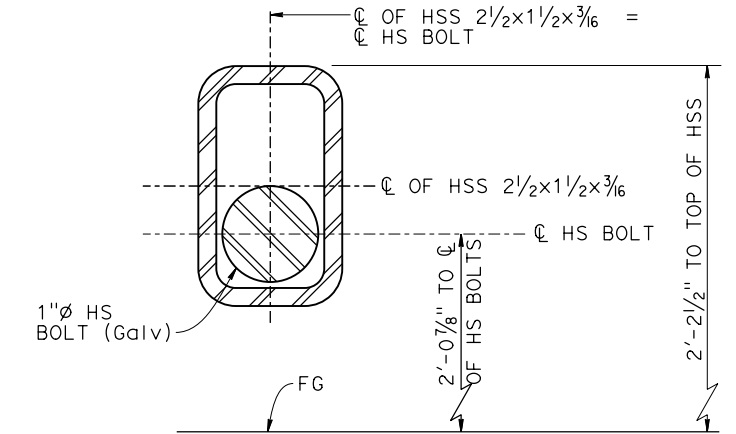
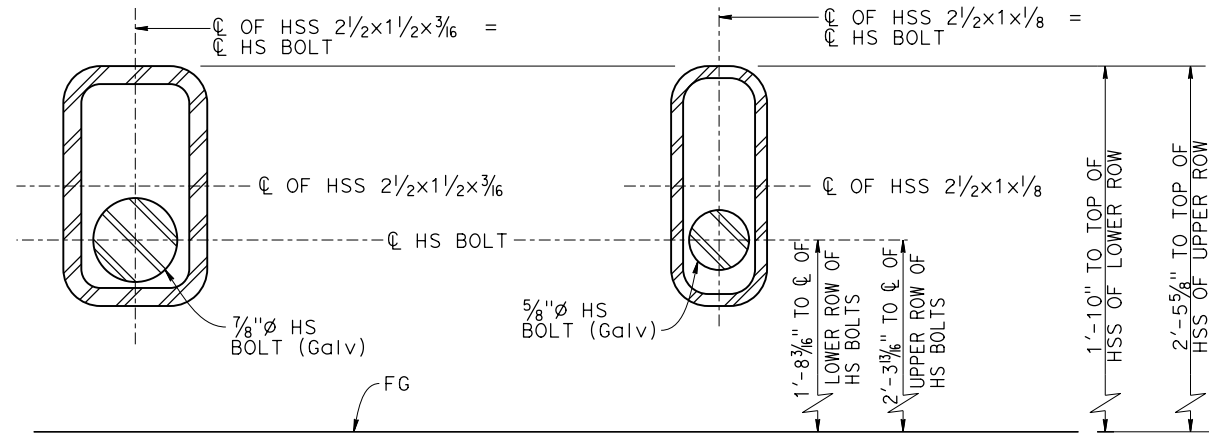
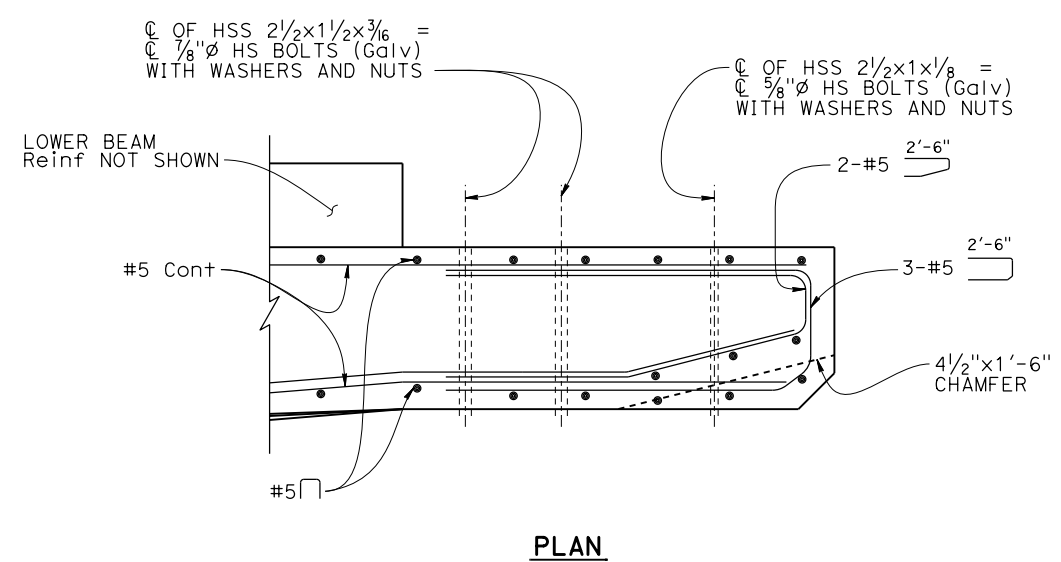


Dist	COUNTY	ROUTE	POST MILES TOTAL PROJECT	SHEET No.	TOTAL SHEETS
REGISTERED CIVIL ENGINEER			X	DATE	
PLANS APPROVAL DATE					
THE STATE OF CALIFORNIA OR ITS OFFICERS OR AGENTS SHALL NOT BE RESPONSIBLE FOR THE ACCURACY OR COMPLETENESS OF SCANNED COPIES OF THIS PLAN SHEET.					
THE REGISTERED CIVIL ENGINEER FOR THE PROJECT IS RESPONSIBLE FOR THE SELECTION AND PROPER APPLICATION OF THE COMPONENT DESIGN AND ANY MODIFICATIONS SHOWN.					

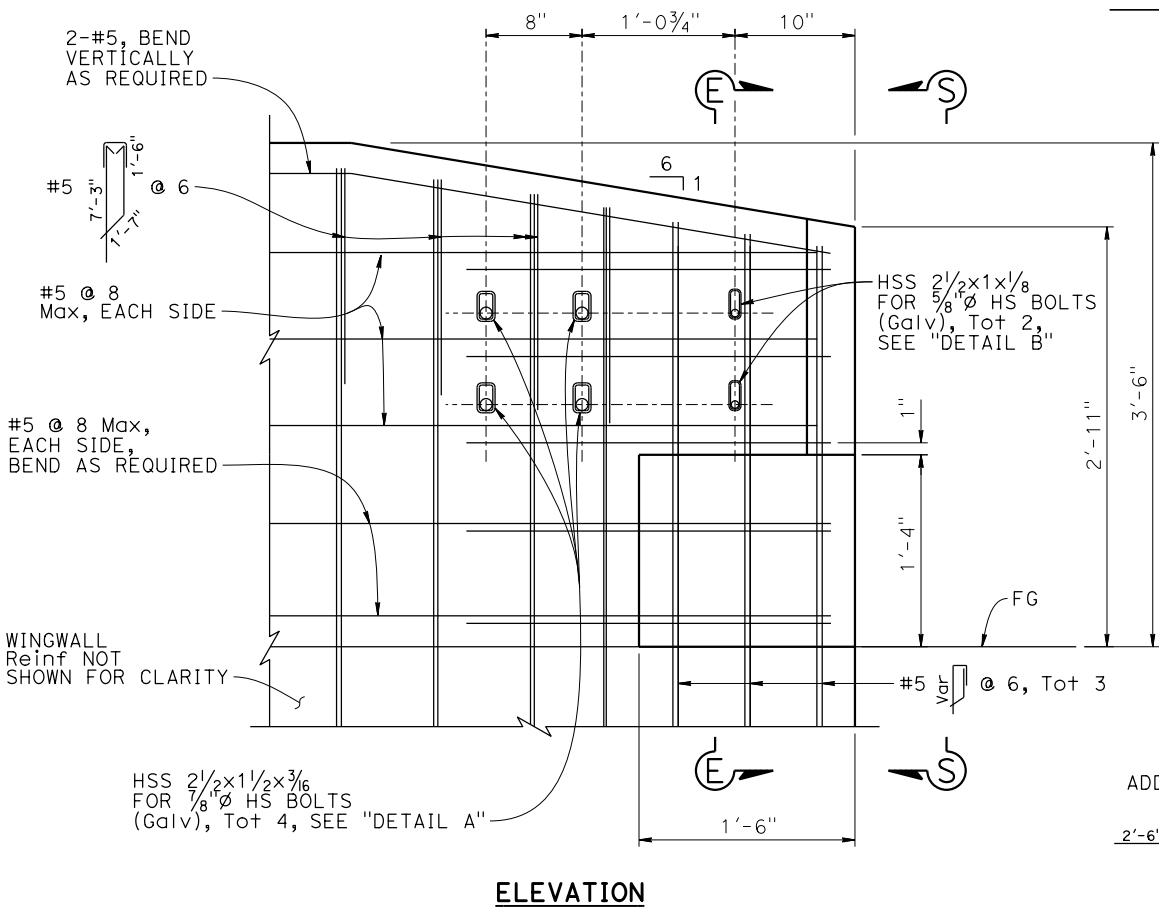


- NOTES:
- Adjust reinforcement as needed to clear HSS section by at least 1".
 - For typical connection for concrete barrier at departure end block to MGS details, see "MGS BRIDGE DEPARTURE CONNECTION DETAIL BB" on Standard Plan A79B1 and "DETAIL C".

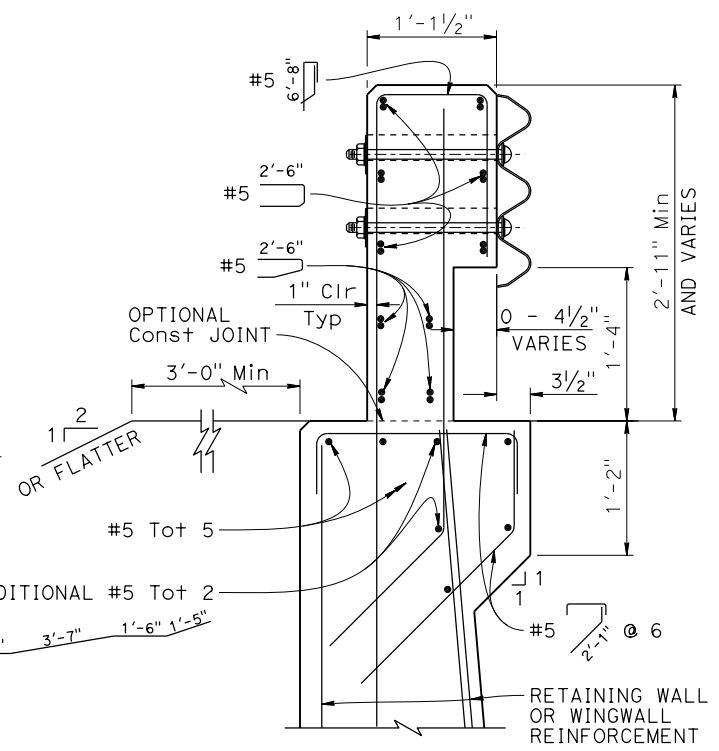


DETAIL A
DETAIL B
APPROACH END BLOCK FORMED HOLES

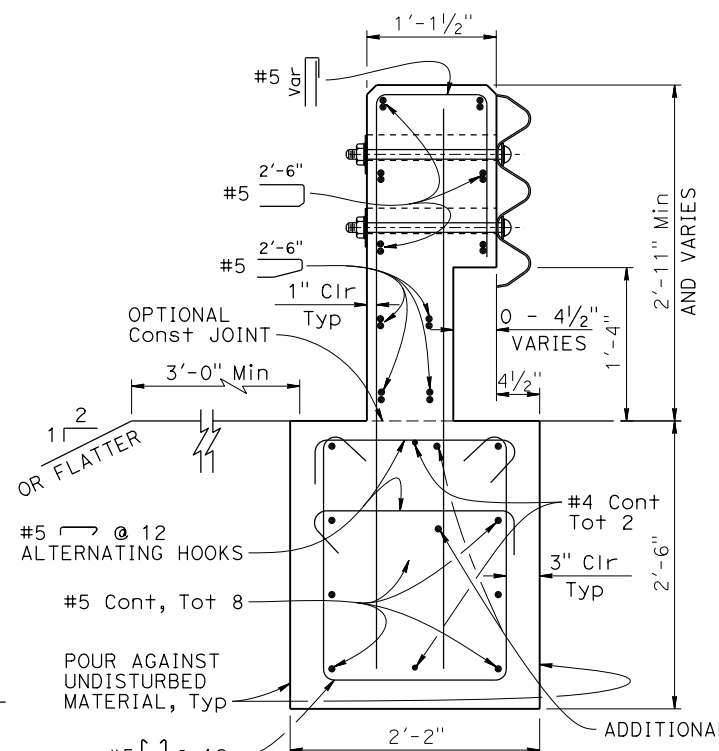
DETAIL C
DEPARTURE END BLOCK FORMED HOLES



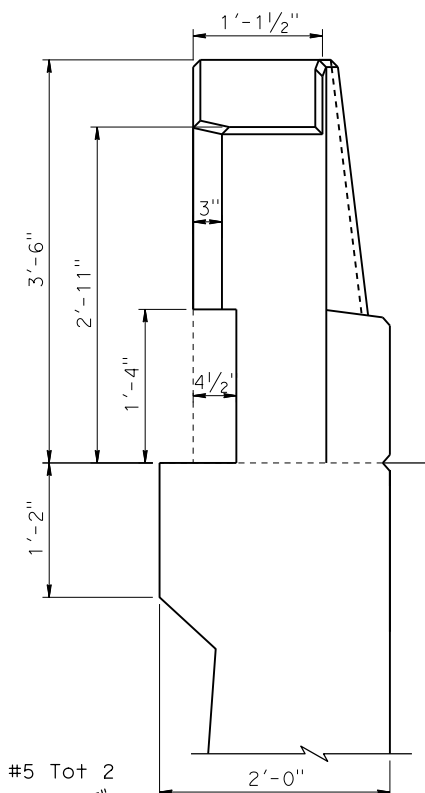
APPROACH END BLOCK DETAILS



SECTION E-E



SECTION E-E



VIEW S-S

Note: For Type 86B on trench footing.

NO SCALE