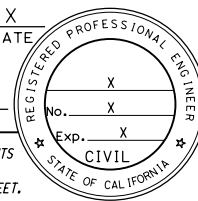
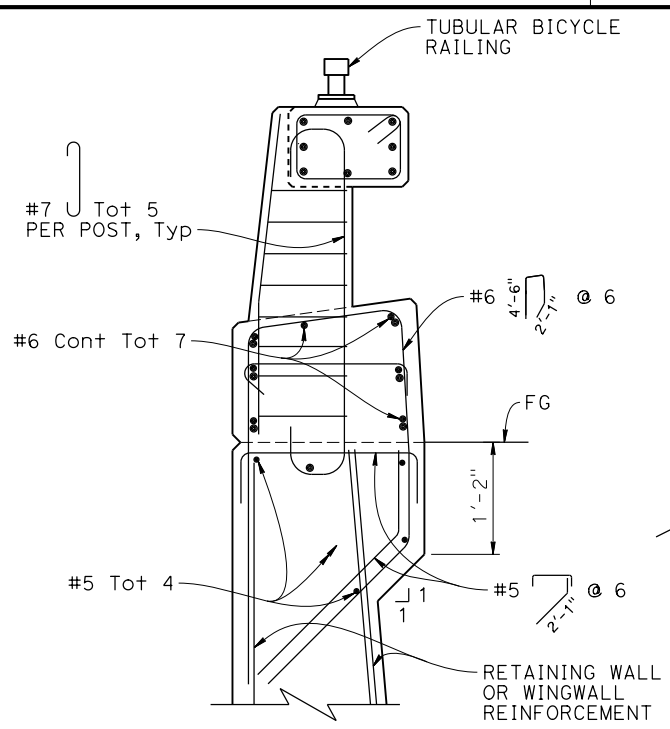


Dist	COUNTY	ROUTE	POST MILES TOTAL PROJECT	SHEET NO.	TOTAL SHEETS
				X	
REGISTERED CIVIL ENGINEER				DATE	
PLANS APPROVAL DATE					
<p>THE STATE OF CALIFORNIA OR ITS OFFICERS OR AGENTS SHALL NOT BE RESPONSIBLE FOR THE ACCURACY OR COMPLETENESS OF SCANNED COPIES OF THIS PLAN SHEET.</p> <p>THE REGISTERED CIVIL ENGINEER FOR THE PROJECT IS RESPONSIBLE FOR THE SELECTION AND PROPER APPLICATION OF THE COMPONENT DESIGN AND ANY MODIFICATIONS SHOWN.</p>					

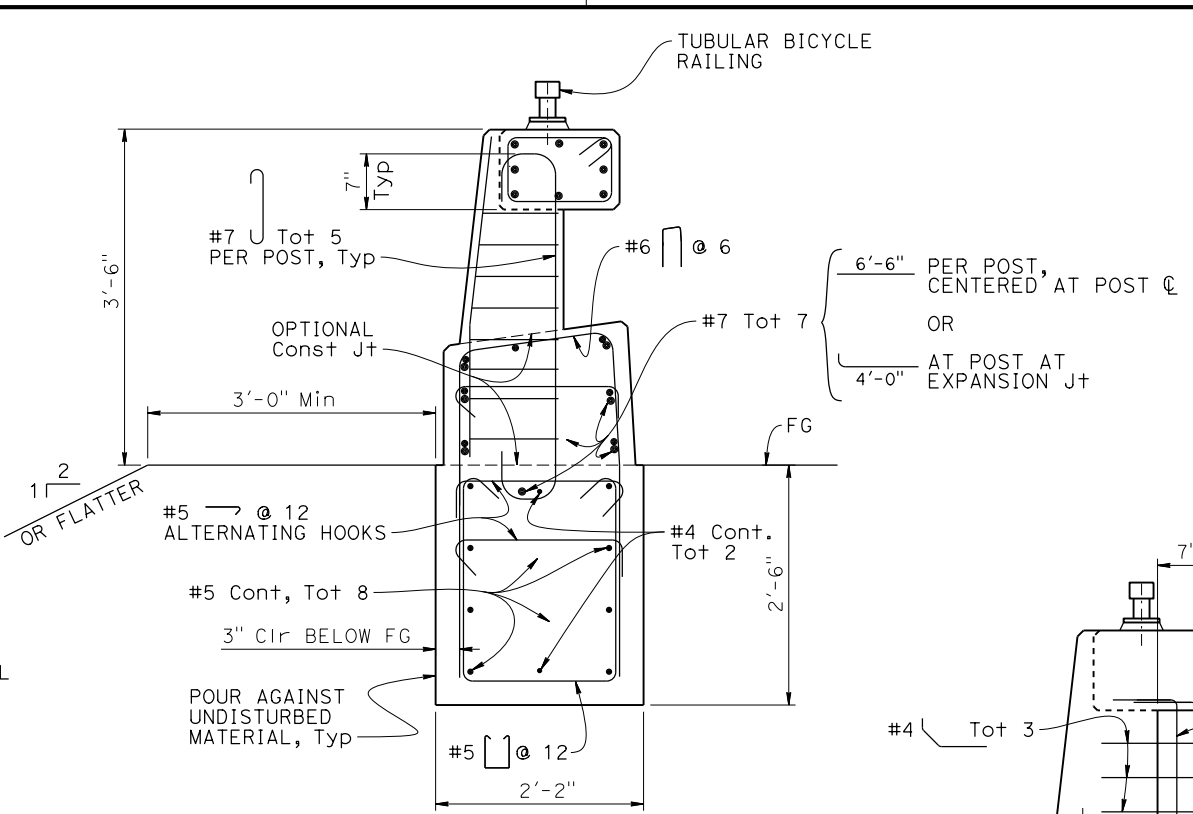


- NOTES:
- 40'-0" minimum length for Type 86B.
  - For details not shown, see "CONCRETE BARRIER TYPE 86 DETAILS No. 1" & "CONCRETE BARRIER TYPE 86 DETAILS No. 3" sheets.
  - SECTION C-C is 1'-9" long as shown, only the reinforcement for post transition is shown.
  - For approach end block details see "CONCRETE BARRIER TYPE 86 DETAILS No. 6" sheet.



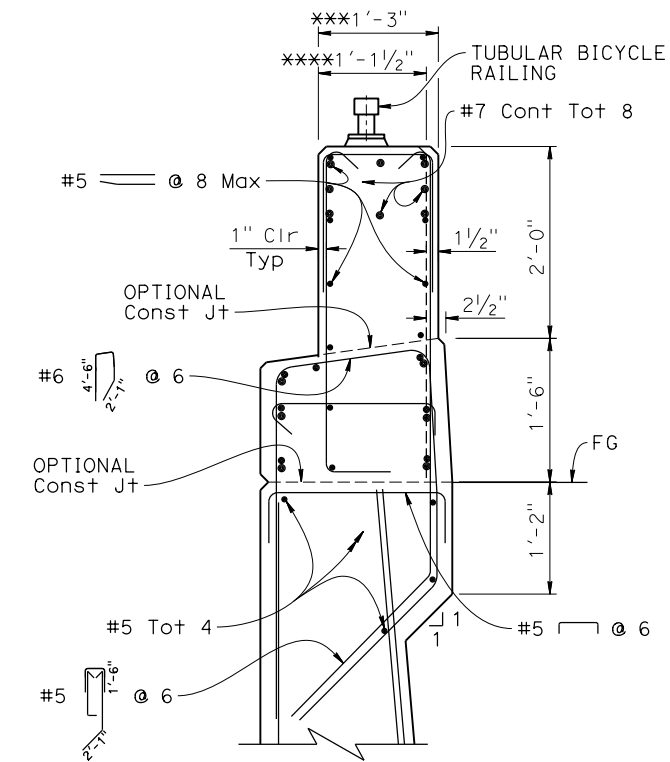
**TYPE 86A**

NOTE: For details not shown, see "TYPE 86HB".



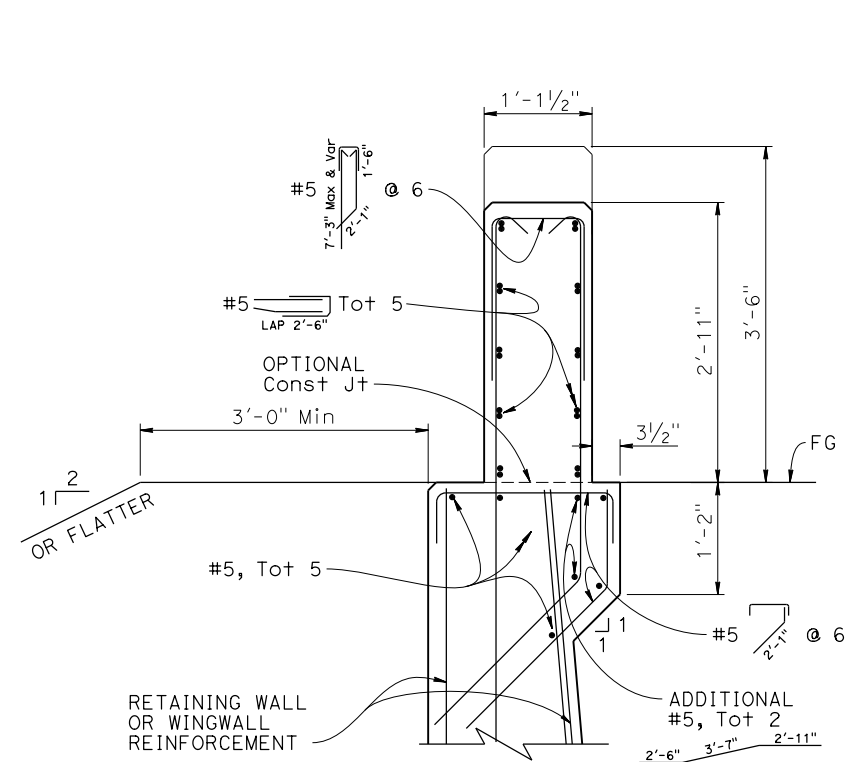
**TYPE 86B**

See Note 1.



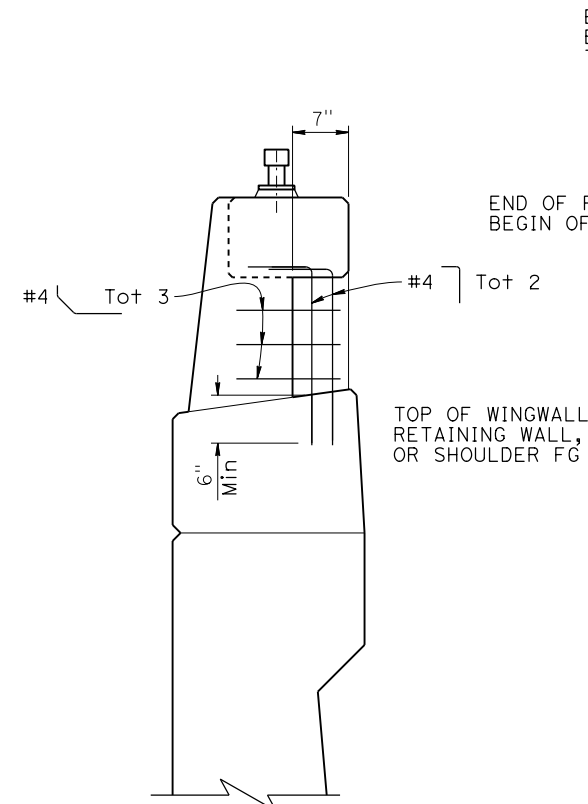
**SECTION D-D**

LEGEND:  
 \*\*\* BEGIN BARRIER TRANSITION  
 \*\*\*\* END BARRIER TRANSITION

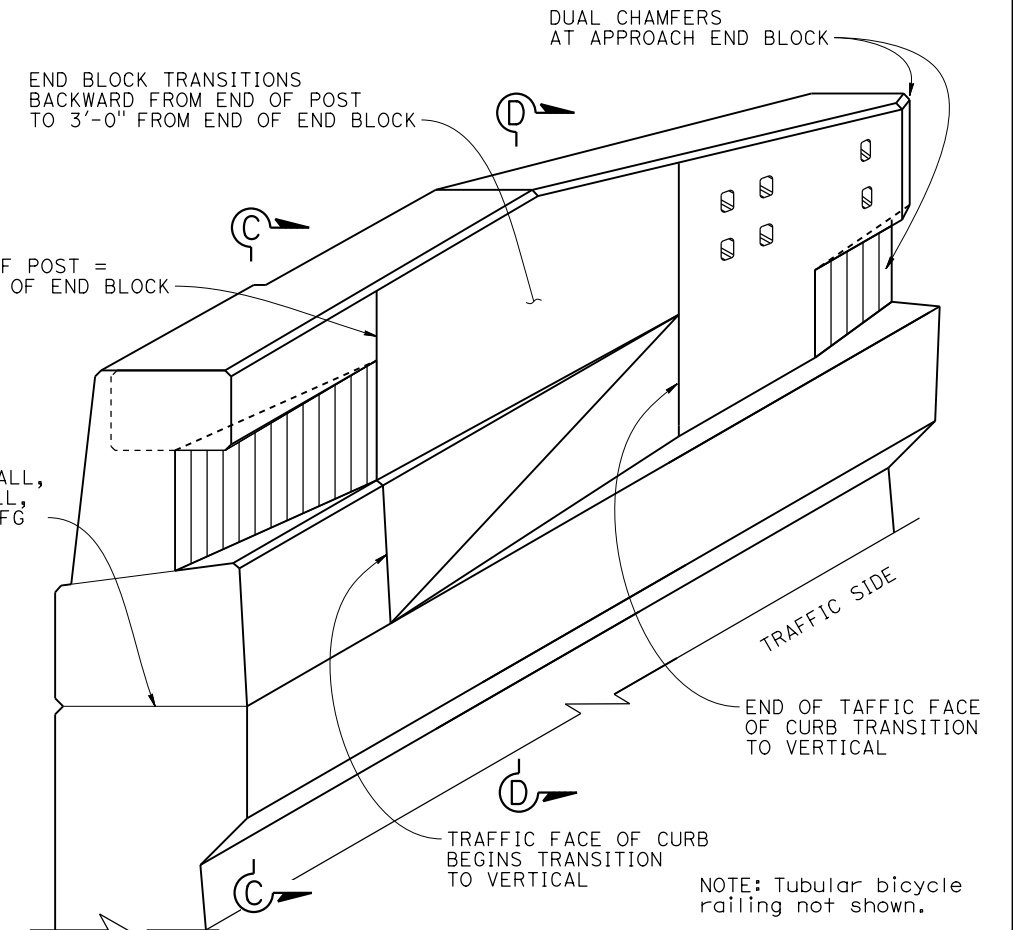


**SECTION E-E**

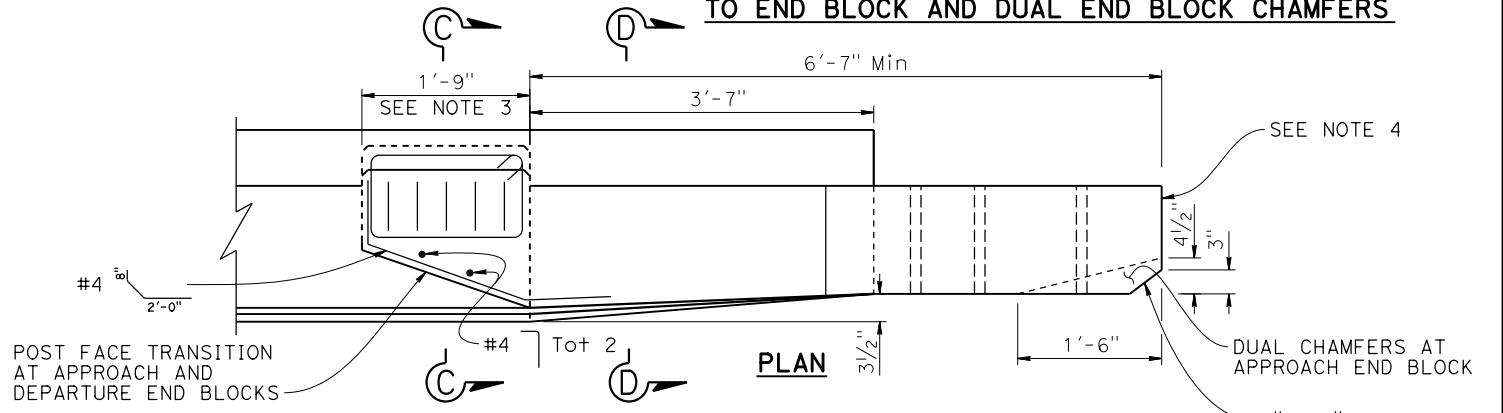
NOTE: At departure end block, see Note 4.



**SECTION C-C**



**PERSPECTIVE OF POST FACE TRANSITION TO END BLOCK AND DUAL END BLOCK CHAMFERS**



**END BLOCK & ADJACENT POST TRANSITION**

NOTE: Tubular bicycle railing not shown for clarity.

**NO SCALE**

BRIDGE STANDARD DETAILS		
<b>xs16-126-2</b> FILE NO.	April 2026 APPROVAL DATE	The components of the Bridge Standard Details have been prepared under the responsible charge of the Technical Owner, a registered civil engineer in the State of California

STATE OF CALIFORNIA	
DEPARTMENT OF TRANSPORTATION	

DIVISION OF ENGINEERING SERVICES	
BRIDGE No.	XX-XXXX
POST MILE	X.X

CONCRETE BARRIER TYPE 86 DETAILS No. 2	
BRIDGE No.	X
POST MILE	X.X