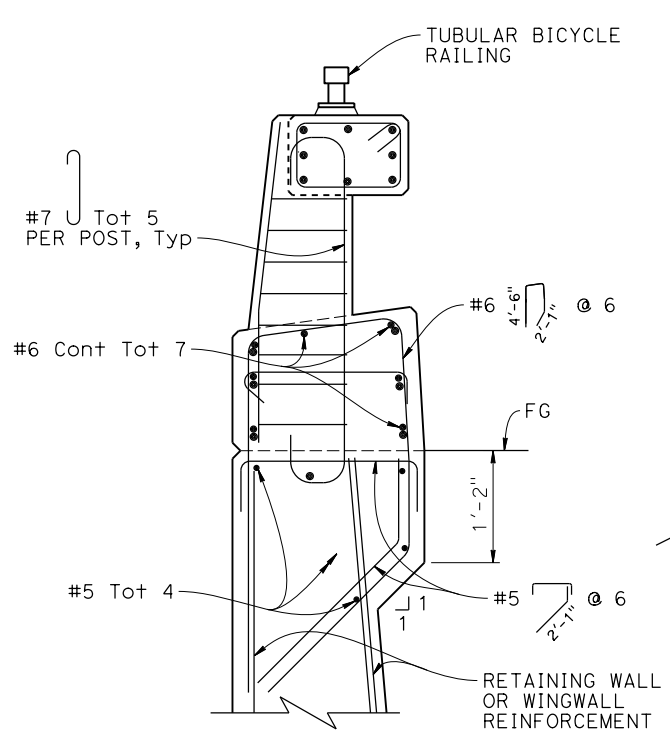


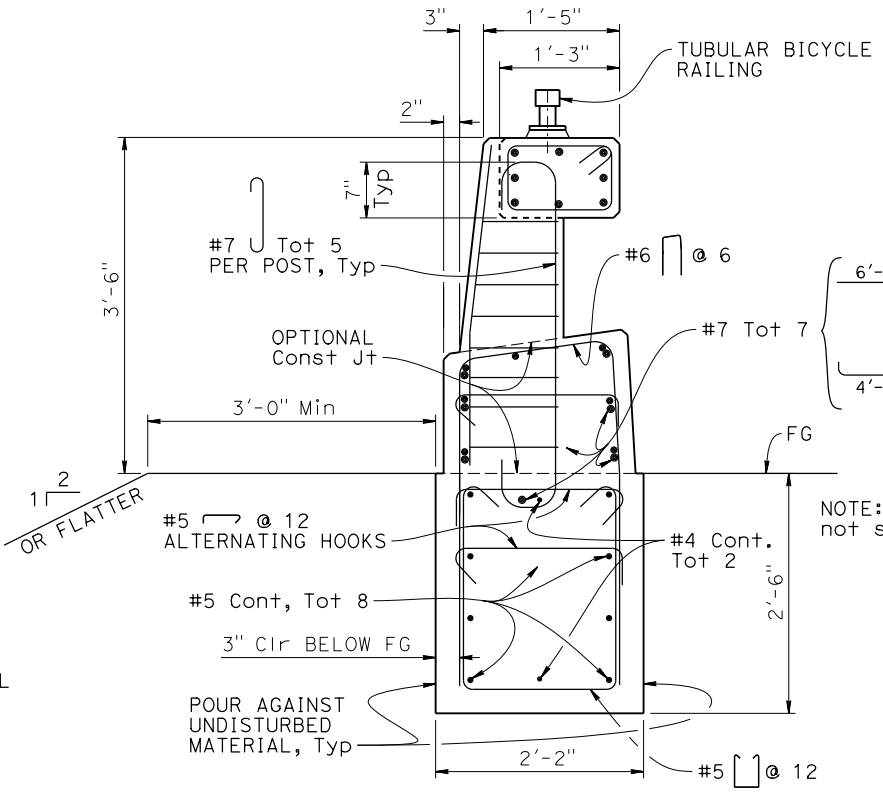
Dist	COUNTY	ROUTE	POST MILES TOTAL PROJECT	SHEET No.	TOTAL SHEETS
				X	
REGISTERED CIVIL ENGINEER			DATE		
PLANS APPROVAL DATE					
<small>THE STATE OF CALIFORNIA OR ITS OFFICERS OR AGENTS SHALL NOT BE RESPONSIBLE FOR THE ACCURACY OR COMPLETENESS OF SCANNED COPIES OF THIS PLAN SHEET.</small>					
<small>THE REGISTERED CIVIL ENGINEER FOR THE PROJECT IS RESPONSIBLE FOR THE SELECTION AND PROPER APPLICATION OF THE COMPONENT DESIGN AND ANY MODIFICATIONS SHOWN.</small>					

- NOTES:
- 40'-0" minimum length for Type 86HB.
 - For details not shown, see "CONCRETE BARRIER TYPE 86H DETAILS No. 1" & "CONCRETE BARRIER TYPE 86H DETAILS No. 3" sheets.
 - SECTION C-C is 1'-9" long as shown, only the reinforcement for post transition is shown.
 - For approach end block details see "CONCRETE BARRIER TYPE 86H DETAILS No. 6" sheet.



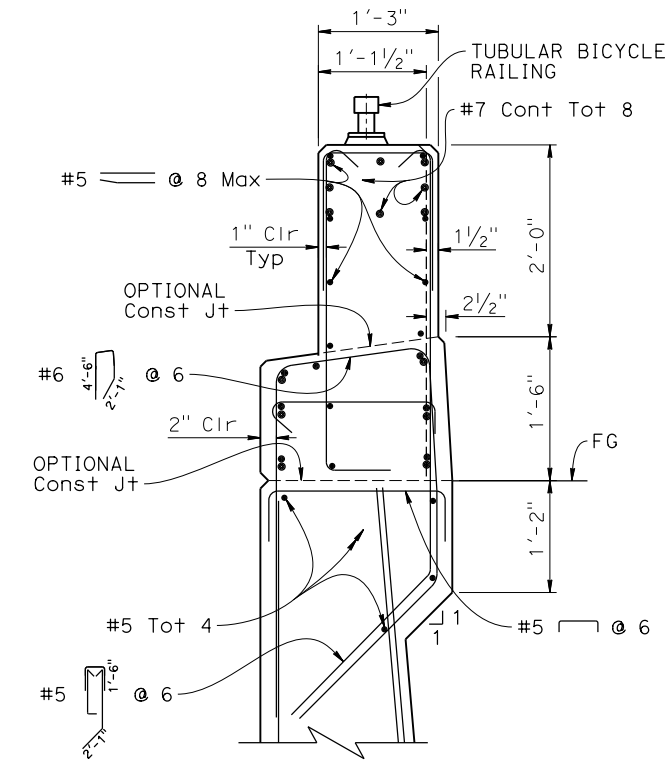
TYPE 86HA

NOTE: For details not shown, see "TYPE 86HB"

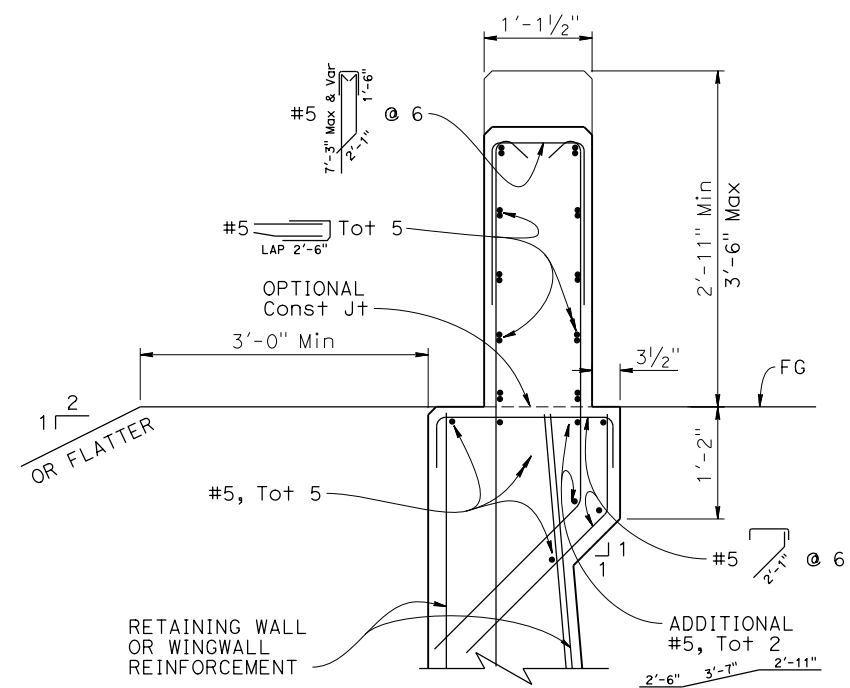


TYPE 86HB

See Note 1

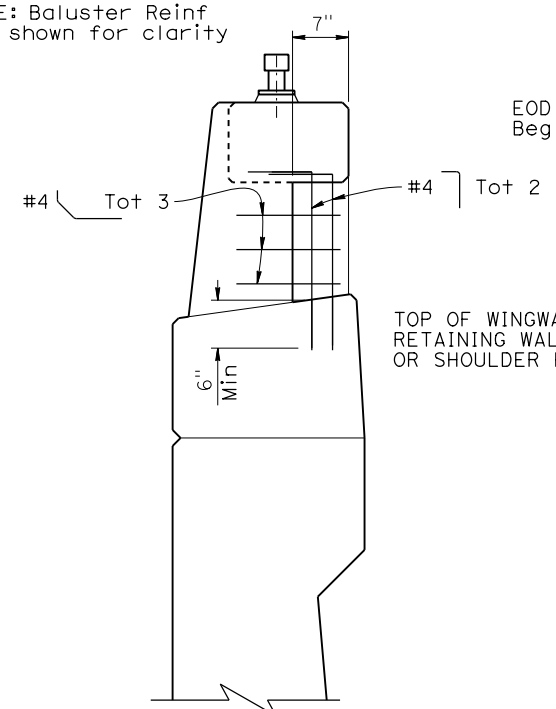


SECTION D-D

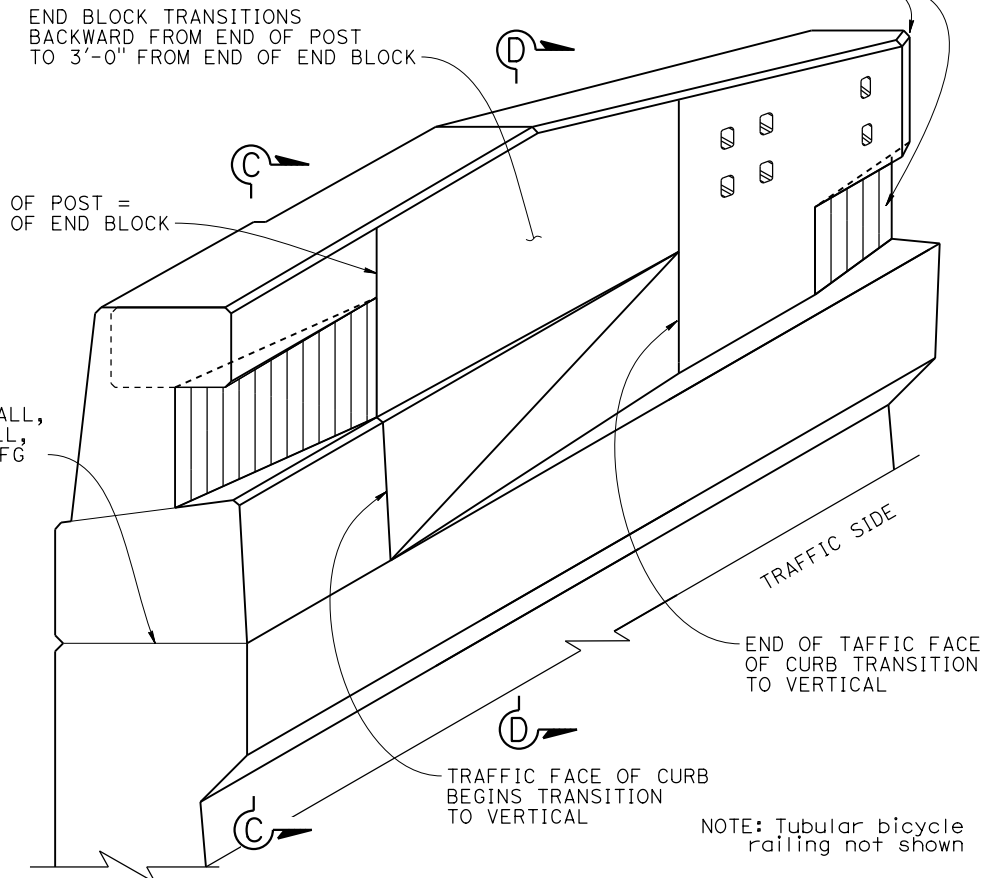


SECTION E-E

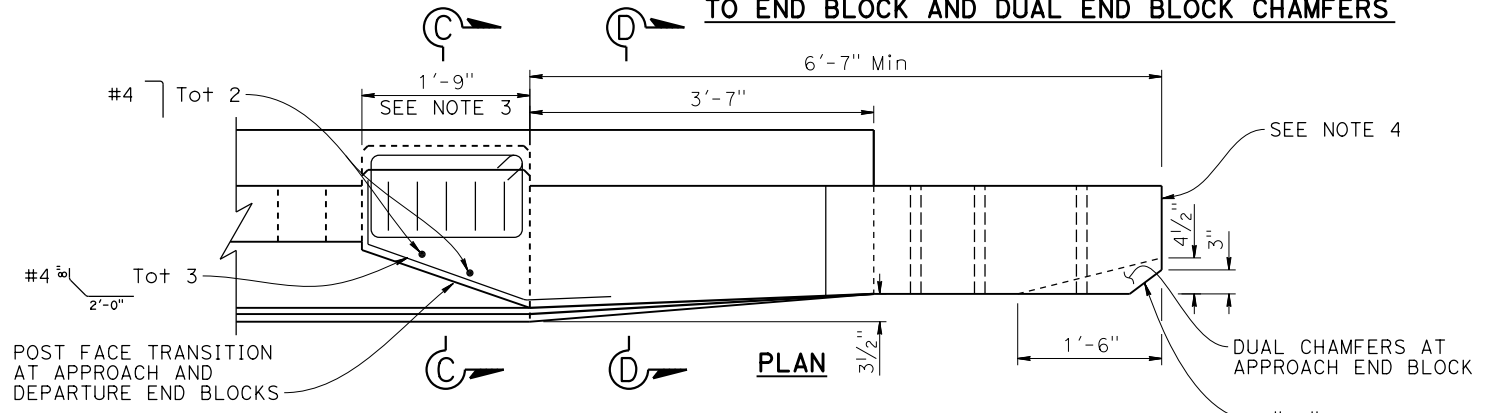
NOTE: At departure end block, see note 4



SECTION C-C



PERSPECTIVE OF POST FACE TRANSITION TO END BLOCK AND DUAL END BLOCK CHAMFERS



END BLOCK & ADJACENT POST TRANSITION

NOTE: Tubular bicycle railing not shown for clarity

NO SCALE

BRIDGE STANDARD DETAILS		
x816-127-2	JANUARY 2024	The components of the Bridge Standard Details have been prepared under the responsible charge of the Technical Owner, a registered civil engineer in the State of California
FILE NO.	APPROVAL DATE	

STATE OF CALIFORNIA
DEPARTMENT OF TRANSPORTATION

DIVISION OF ENGINEERING SERVICES

BRIDGE No.	XX-XXXX	X
POST MILE	X.X	
CONCRETE BARRIER TYPE 86H DETAILS No. 2		