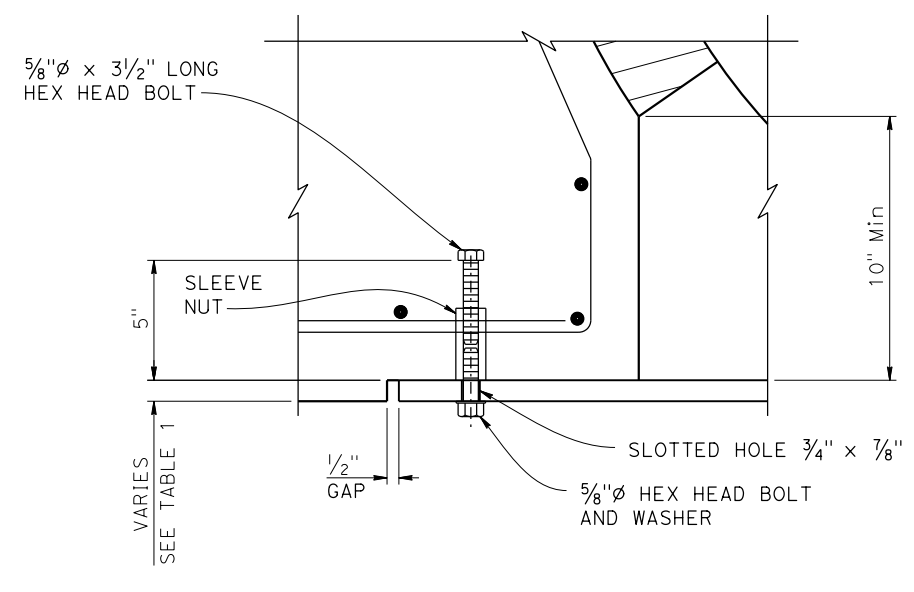
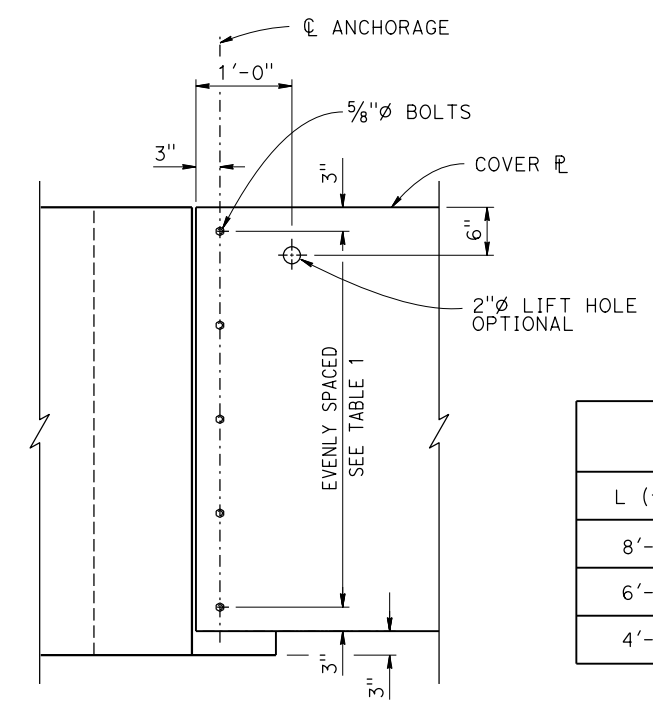


DETAIL D



DETAIL E

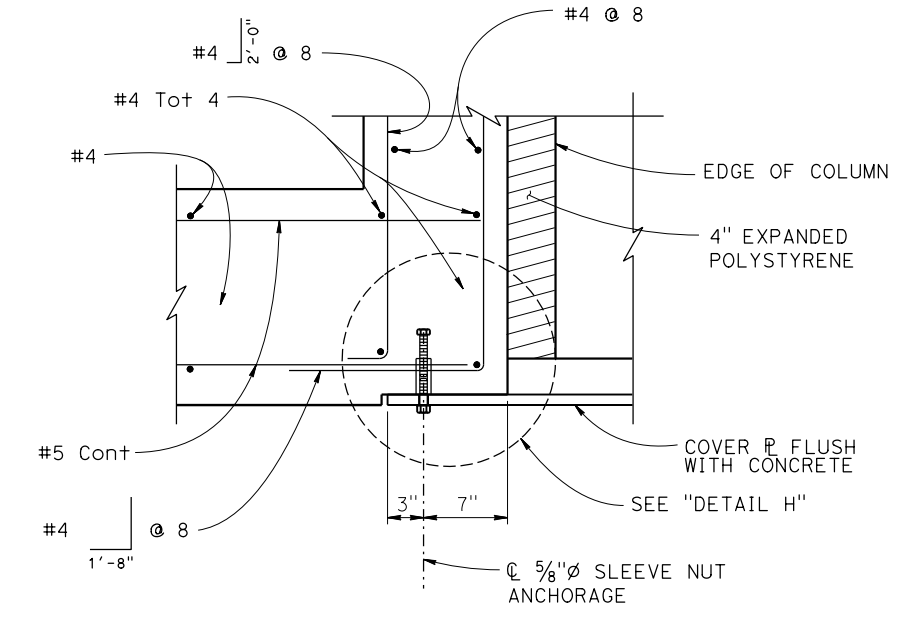


DETAIL F

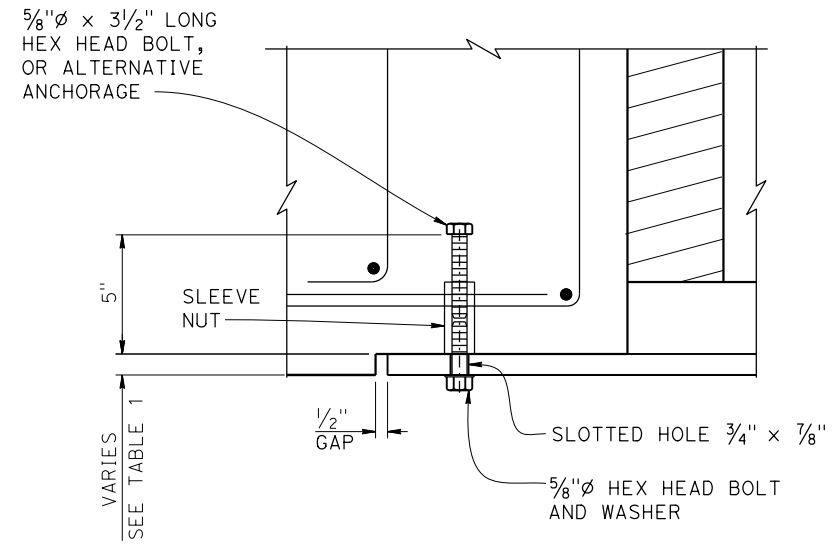
TABLE 1

L (ft)	PLATE THICKNESS (in.)	No. OF BOLTS/SIDE
8'-6" Max	7/8	10
6'-6" Max	11/16	7
4'-6" Max	7/16	5

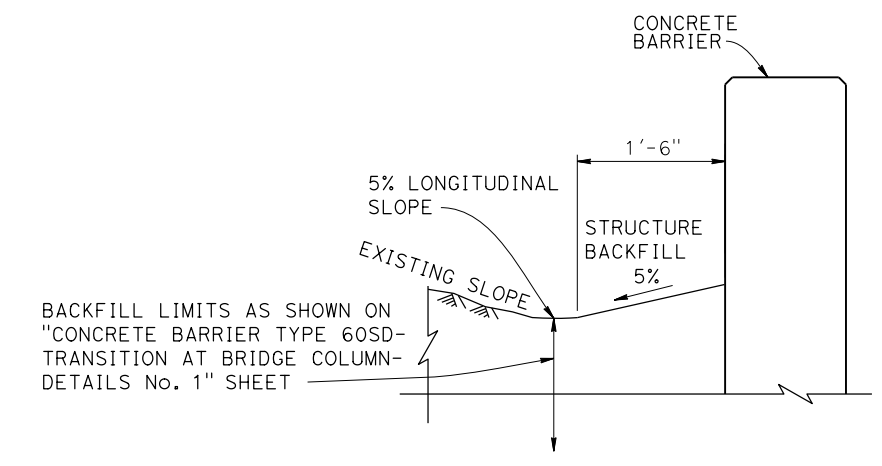
NOTE:
Structural steel, fy = 50,000- psi
Unless otherwise noted.



DETAIL G



DETAIL H



BACKFILL DETAIL

NO SCALE