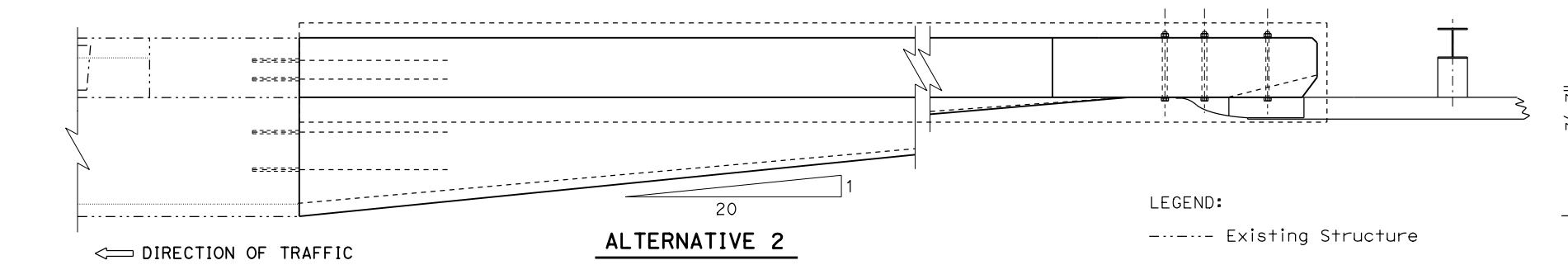
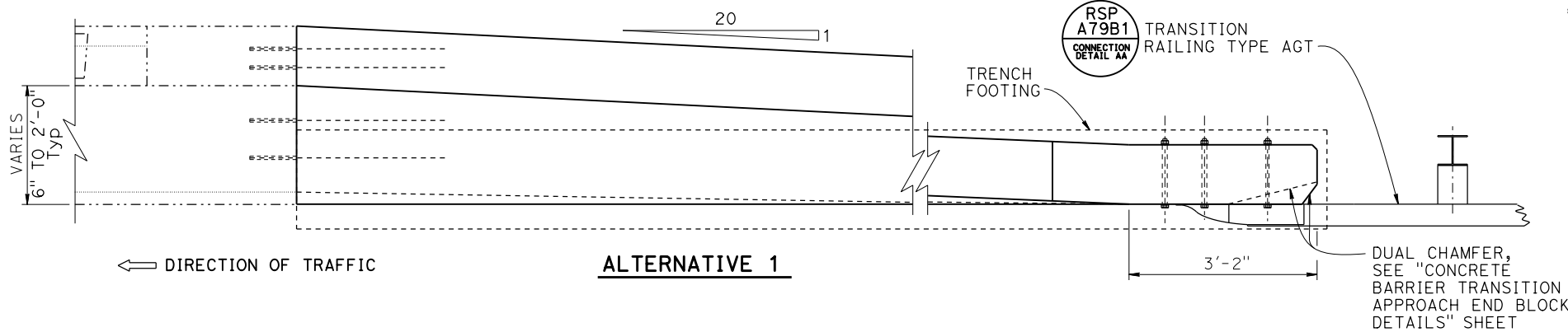


NOTE:
1. For additional approach end block details, see "CONCRETE BARRIER TRANSITION APPROACH END BLOCK DETAILS" sheet.



NOTE: For details not shown, see "ALTERNATIVE 1".

PLAN
NO SCALE

LEGEND:
----- Existing Structure
○ STANDARD PLAN SHEET No.
○ DETAIL No.

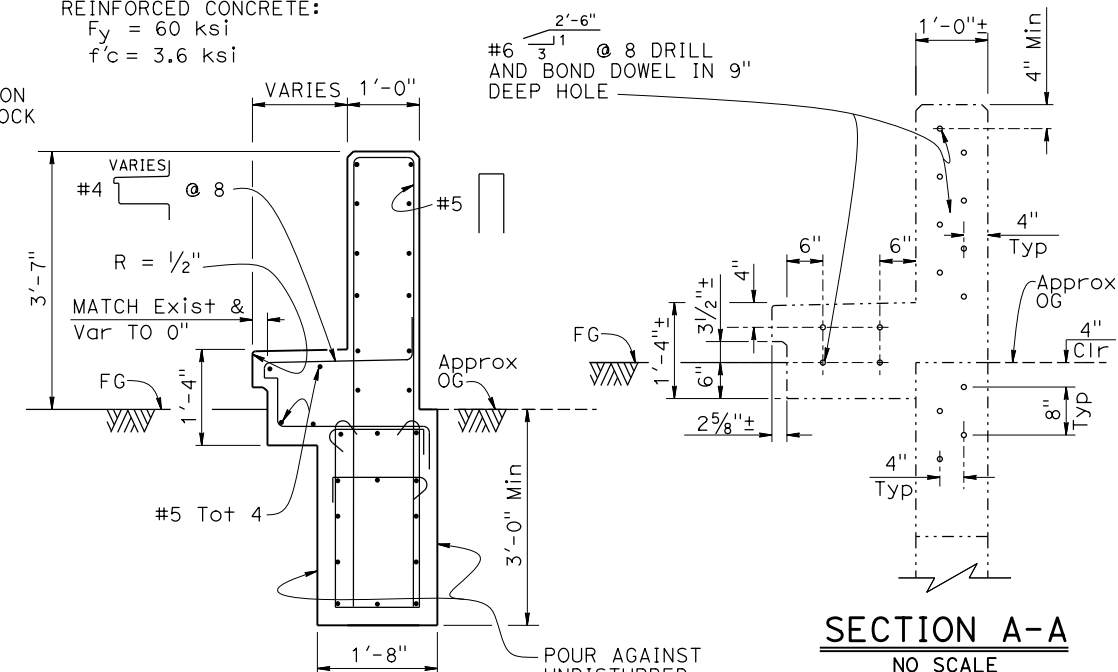
**GENERAL NOTES
LOAD AND RESISTANCE
FACTOR DESIGN**

DESIGN:
AASHTO LRFD Bridge Design Specifications, 8th Edition with California Amendments

CT:
 $F_t = 54$ kips on Barrier

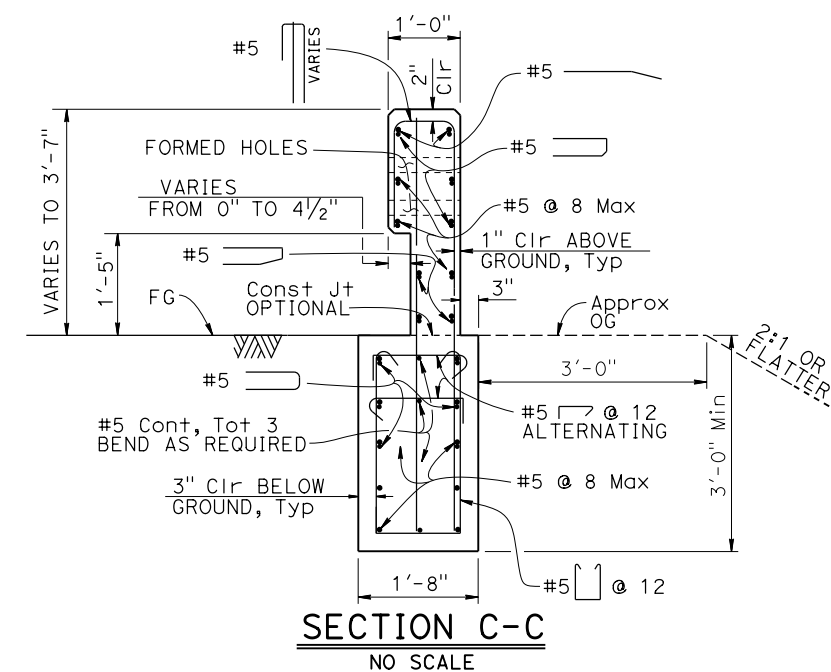
SOIL PROPERTIES:
 $\phi = 30^\circ$
 $\gamma = 120$ pcf

REINFORCED CONCRETE:
 $F_y = 60$ ksi
 $f'_c = 3.6$ ksi

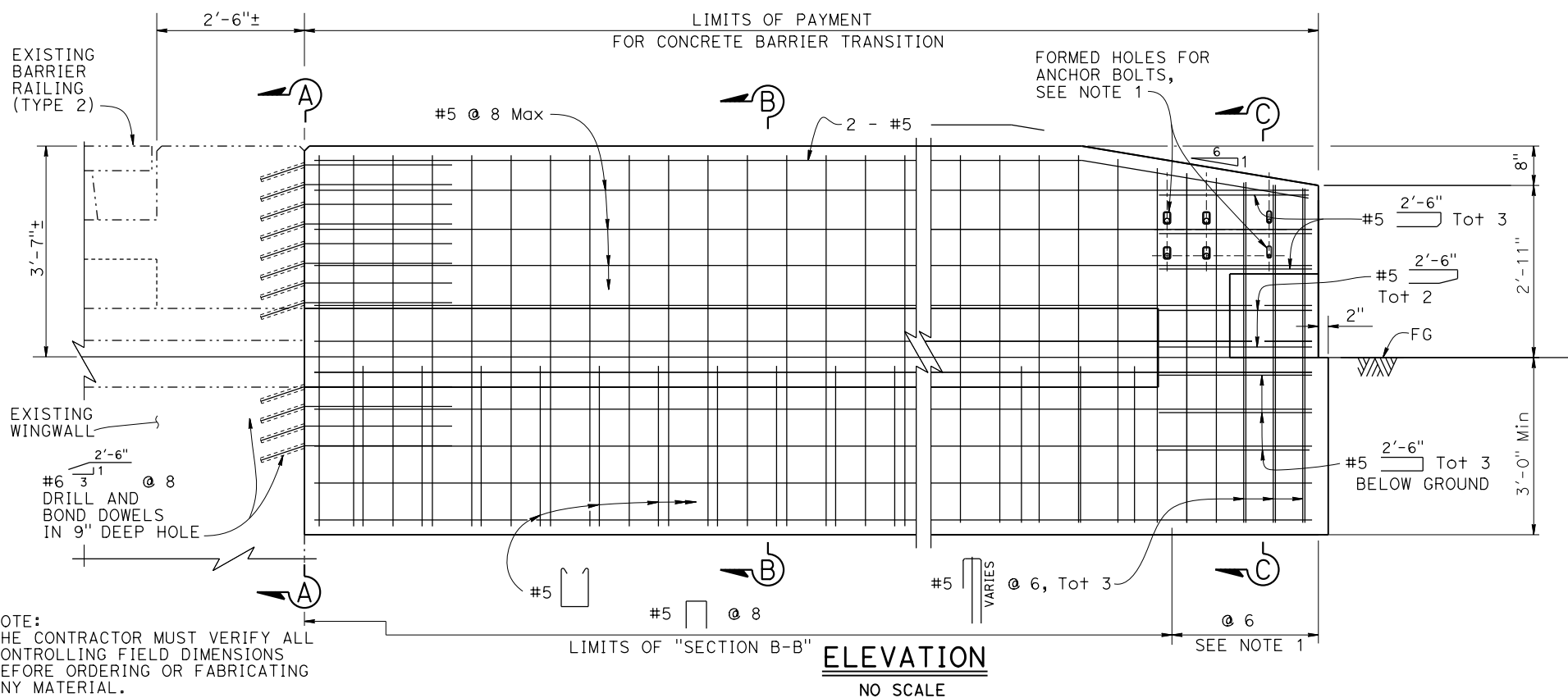


SECTION B-B
NO SCALE

NOTE: For details not shown, see "SECTION C-C".



SECTION C-C
NO SCALE



ELEVATION
NO SCALE

NOTE:
THE CONTRACTOR MUST VERIFY ALL CONTROLLING FIELD DIMENSIONS BEFORE ORDERING OR FABRICATING ANY MATERIAL.

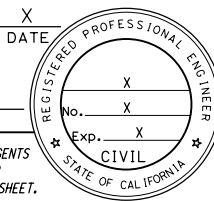
| Dist | COUNTY | ROUTE | POST MILES TOTAL PROJECT | SHEET No. | TOTAL SHEETS |
|------|--------|-------|--------------------------|-----------|--------------|
| | | | | X | |

REGISTERED CIVIL ENGINEER DATE _____

PLANS APPROVAL DATE _____

THE STATE OF CALIFORNIA OR ITS OFFICERS OR AGENTS SHALL NOT BE RESPONSIBLE FOR THE ACCURACY OR COMPLETENESS OF SCANNED COPIES OF THIS PLAN SHEET.

THE REGISTERED CIVIL ENGINEER FOR THE PROJECT IS RESPONSIBLE FOR THE SELECTION AND PROPER APPLICATION OF THE COMPONENT DESIGN AND ANY MODIFICATIONS SHOWN.



| BRIDGE STANDARD DETAILS | | |
|-----------------------------|-------------------------------|--|
| xs16-026 FILE NO. | January 2024 APPROVAL DATE | The components of the Bridge Standard Details have been prepared under the responsible charge of the Technical Owner, a registered civil engineer in the State of California |

| STATE OF CALIFORNIA | | DIVISION OF ENGINEERING SERVICES | |
|------------------------------|--|----------------------------------|---------------|
| DEPARTMENT OF TRANSPORTATION | | BRIDGE No. XX-XXXX | POST MILE X.X |

| STATE OF CALIFORNIA | | DIVISION OF ENGINEERING SERVICES | |
|------------------------------|--|----------------------------------|---------------|
| DEPARTMENT OF TRANSPORTATION | | BRIDGE No. XX-XXXX | POST MILE X.X |

| CONCRETE BARRIER TRANSITION | | AGT CONNECTION TO TYPE 2 ALTERNATIVE 1 & 2 | |
|-----------------------------|-------|--|--|
| REVISION DATES | SHEET | OF | |
| | X | X | |