



Bridge Design Details 9.5 January 2023

Deck Joints Precast Concrete or Steel Girders

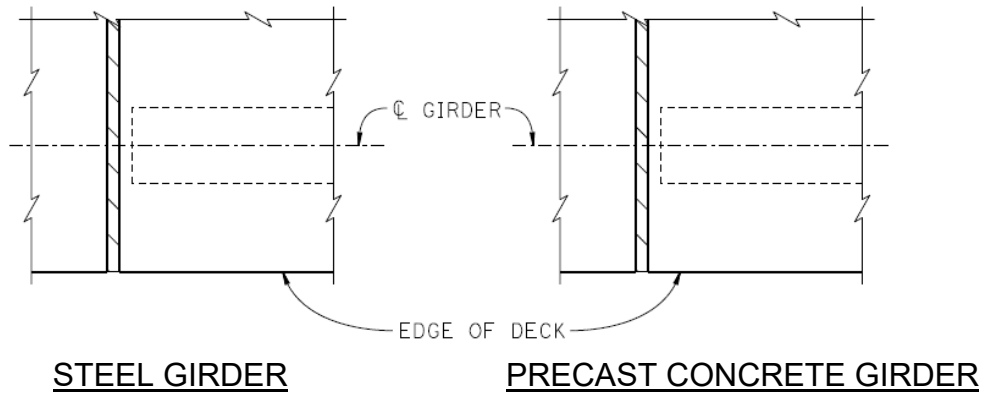


Figure 9.5.1 Deck Joints at Girders (No Skew)

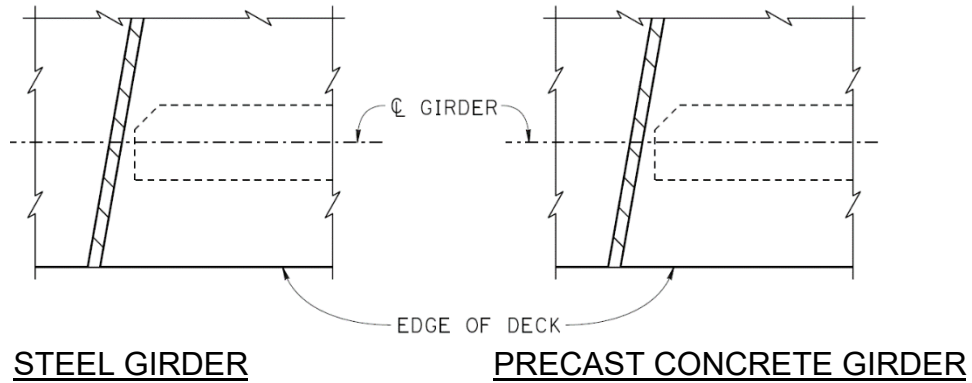


Figure 9.5.2 Deck Joints at Girders (Skew 0° to 20°)

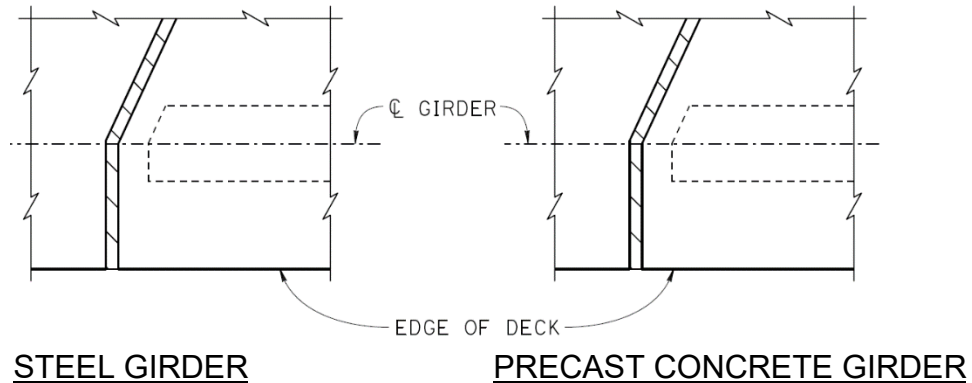


Figure 9.5.3 Deck Joints at Girders (Over 20° Skew)