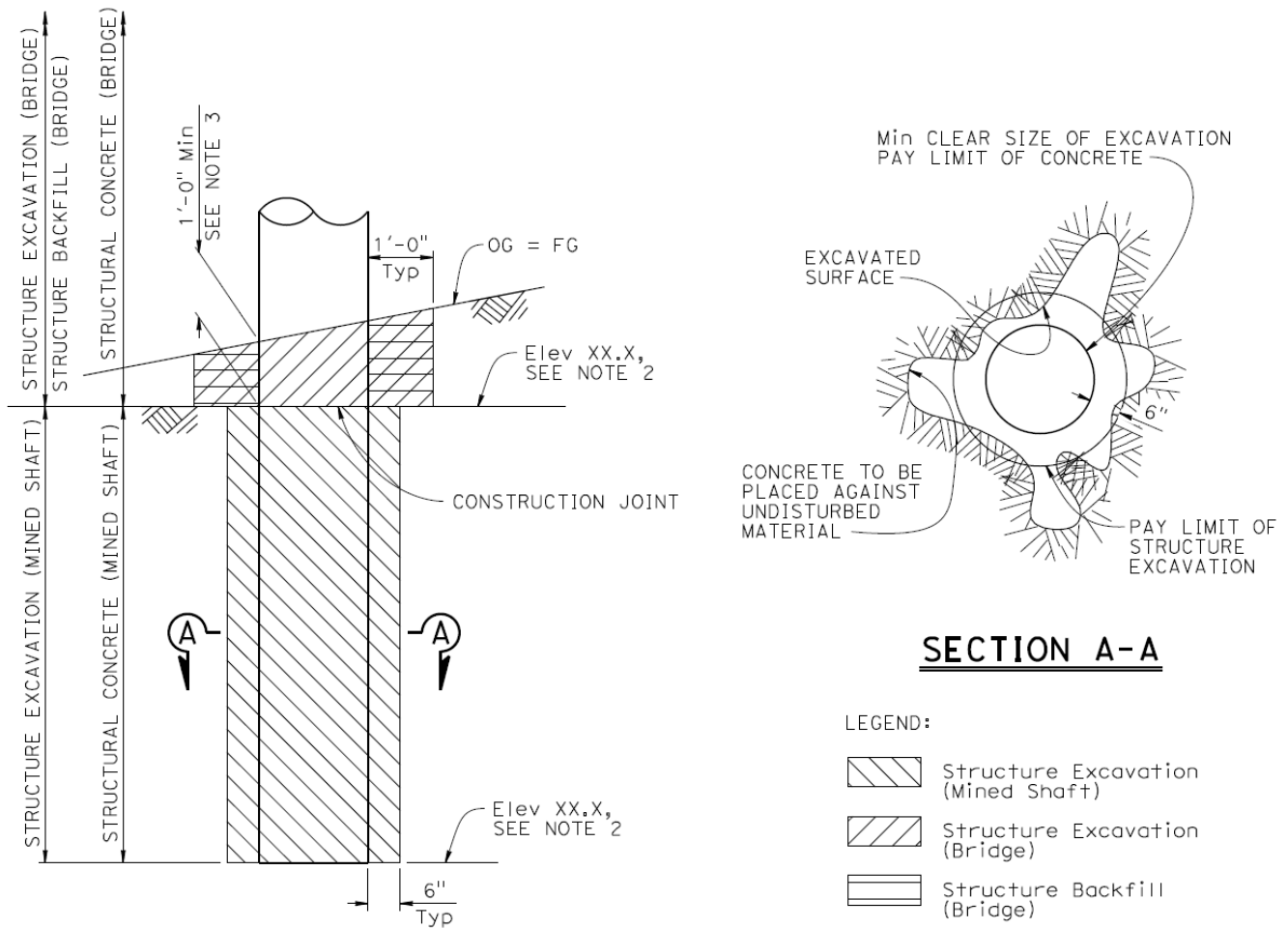


# Bridge Design Details 7.3 March 2026

## Column Earthwork



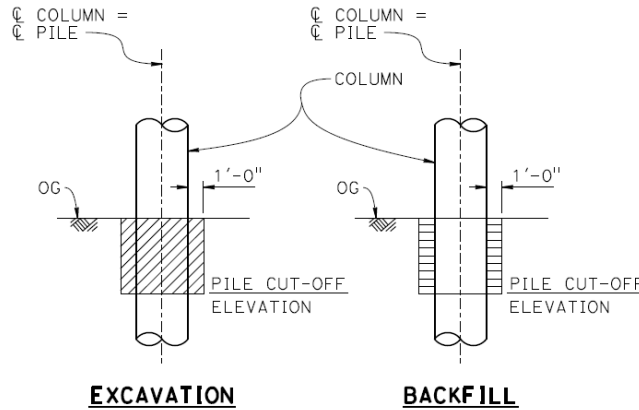
**Figure 7.3.1 Hard Material Excavation**

**Notes:**

1. Use STRUCTURE EXCAVATION (MINED SHAFT) item in hard material where excavation by blasting, mechanical, or chemical splitting of rock is needed.
2. Elevations provided are upper and lower limits of hard material excavation.
3. Optional construction joint is to be placed 1'-0" minimum below the Finished Grade.



Use STRUCTURE EXCAVATION (BRIDGE) for all excavation and STRUCTURE BACKFILL (BRIDGE) for all backfill above PILE CUT-OFF or BOTTOM OF FOOTING elevation in typical earthwork situations.

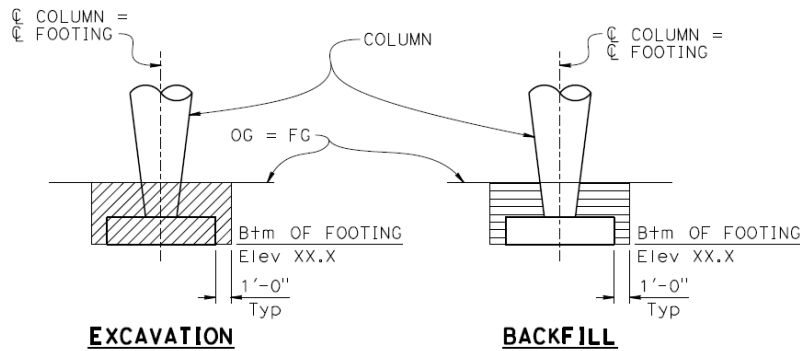


**LIMITS OF PAYMENT FOR EXCAVATION AND BACKFILL**  
NO SCALE

LEGEND:

- Structure Excavation (Bridge)
- Structure Backfill (Bridge)

**Figure 7.3.2 Pile Cut-Off Earthwork**



**LIMITS OF PAYMENT FOR EXCAVATION AND BACKFILL**  
NO SCALE

LEGEND:

- Structure Excavation (Bridge)
- Structure Backfill (Bridge)

**Figure 7.3.3 Bottom of Footing Earthwork**