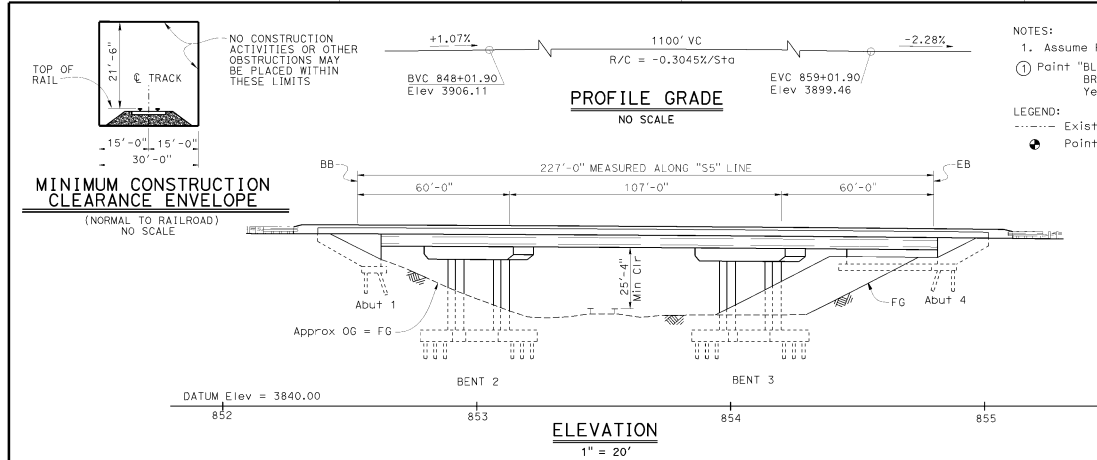




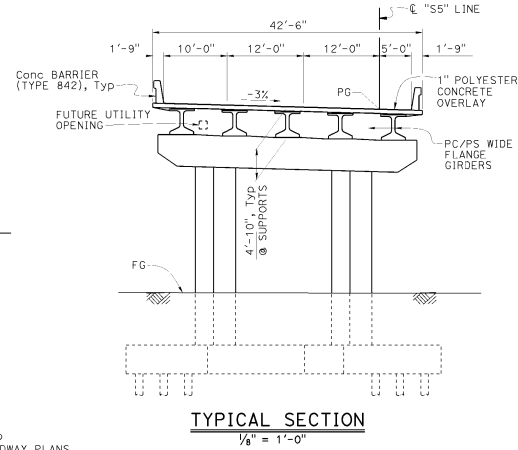
Figure 12A.B.1 Railroad Submittal Detailing Example 1



NOTES:
1. Assume Future RR to be parallel to existing.
① Point "BLACK BUTTE OH BRIDGE No. 02-0204L" Year Constructed

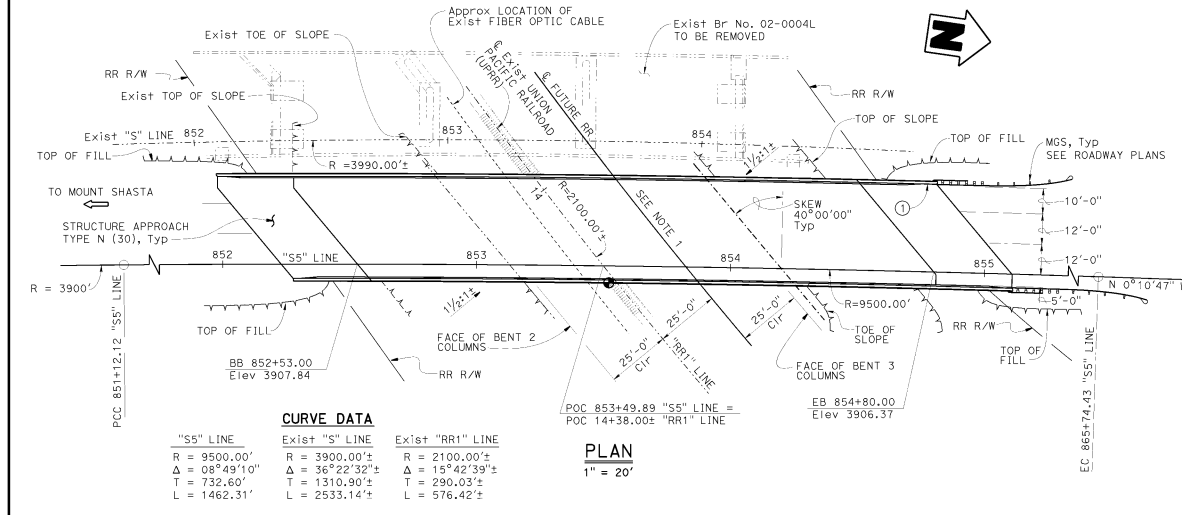
LEGEND:
--- Existing Structure
● Point of Minimum Vertical Clearance

Dist	COUNTY	ROUTE	POST MILES TOTAL PROJECT	SHEET NO. TOTAL SHEETS
REGISTERED CIVIL ENGINEER		DATE	X	
MM/DD/YYYY			J. M. Engineer No. 54321 Exp. 03-31-16 CIVIL	
PLANS APPROVAL DATE				
THE STATE OF CALIFORNIA OR ITS OFFICERS OR AGENTS SHALL NOT BE RESPONSIBLE FOR THE ACCURACY OR COMPLETENESS OF SCANNED COPIES OF THIS PLAN SHEET.				



- Vehicular Traffic**
- New alignment. No traffic at the site.
 - Traffic will be detoured away from the site.
 - Traffic will be carried on the structure.
- Stage construction will/will not be required.
- Traffic will pass under the structure on _____ (Name of St. or Hwy.)
 - No falsework allowed over traffic.
 - Falsework opening(s) required:

Temporary Vertical Clearance	Width of Traffic Opening
Bnd _____	_____
Two-way _____	_____
 - Temporary traffic lane reduction needed for footing excavation.
- Pedestrian Traffic**
- Falsework opening required on _____ (Name of St.)
- | | | |
|----------------|--------------|-------------|
| Location _____ | Height _____ | Width _____ |
|----------------|--------------|-------------|
- Railroad Traffic**
- Falsework opening required over _____ UPRR
- | | |
|--------------------------|----------------------------|
| Vertical Clearance _____ | Horizontal Clearance _____ |
| Width _____ | 15'-0" |

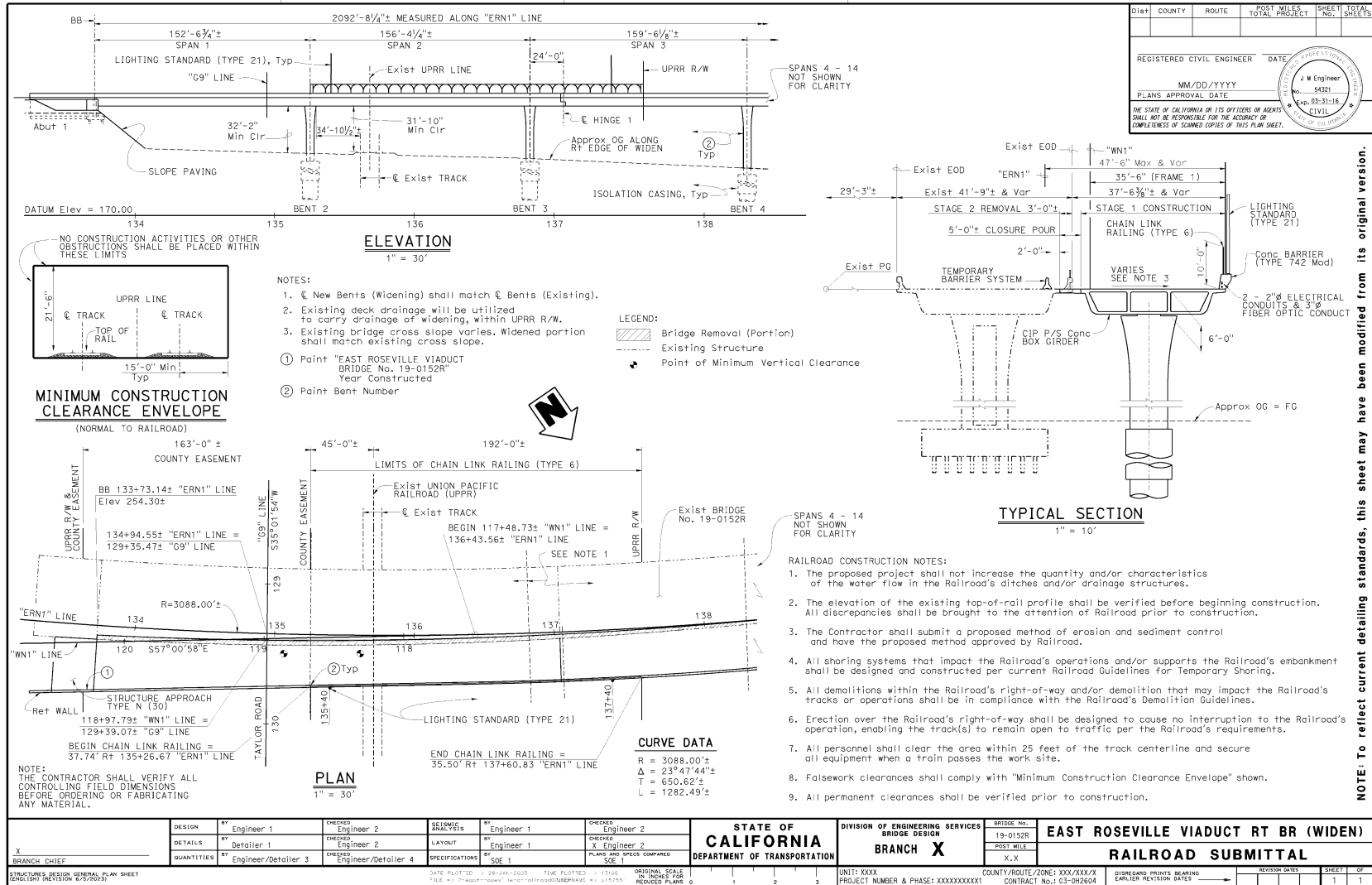


DESIGN BY Engineer 1	CHECKED BY Engineer 2	SEISMIC ANALYSIS BY Engineer 1	CHECKED BY Engineer 2	STATE OF CALIFORNIA DEPARTMENT OF TRANSPORTATION	DIVISION OF ENGINEERING SERVICES BRIDGE DESIGN BRANCH X	BRIDGE NO. 02-0204L	BLACK BUTTE OVERHEAD (REPLACE) RAILROAD SUBMITTAL
DETAILS BY Detailer 1	CHECKED BY Engineer 2	LAYOUT BY Engineer 1	CHECKED BY Engineer 2			POST MILE XX.XX	
QUANTITIES BY Engineer/Detailer 3	CHECKED BY Engineer/Detailer 4	SPECIFICATIONS BY SOE 1	PLANS AND SPECS COMPARED BY SOE 1			COUNTY/ROUTE/ZONE: XXX/XXX/X	
DATE PLOTTED: 28-JAN-2025 TIME PLOTTED: 1:17:55 ORIGINAL SCALE: AS SHOWN FOR REDUCED PLANS: 0				UNIT: XXXX	PROJECT NUMBER & PHASE: XXXXXXXXXX1	COUNTY/ROUTE/ZONE: XXX/XXX/X	
STRUCTURES DESIGN GENERAL PLAN SHEET (CONSULTATION INVISION 6/5/2025)						DISTRICT: PRINTS BEARING	
						CONTRACT No. 02-4F5404	
						REVISION DATES	SHEET 1 OF 1

NOTE: To reflect current detailing standards, this sheet may have been modified from its original version.



Figure 12A.B.2 Railroad Submittal Detailing Example 2



NOTE: To reflect current detailing standards, this sheet may have been modified from its original version.