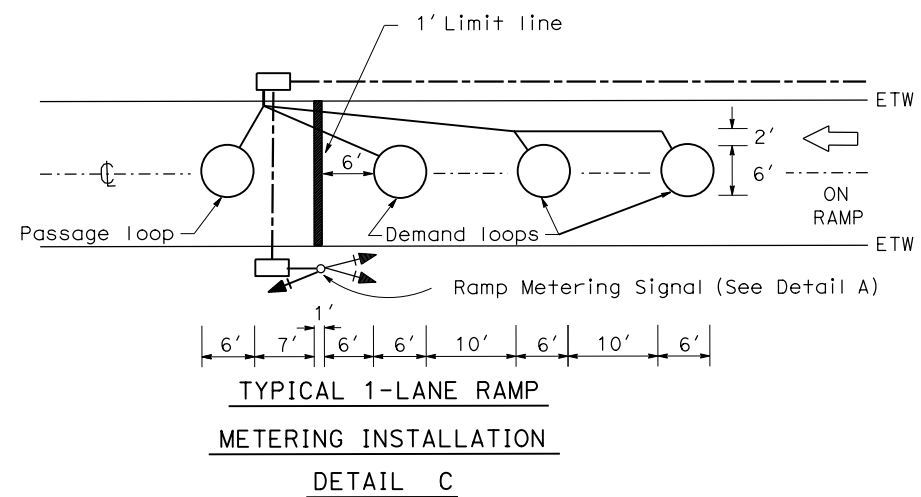
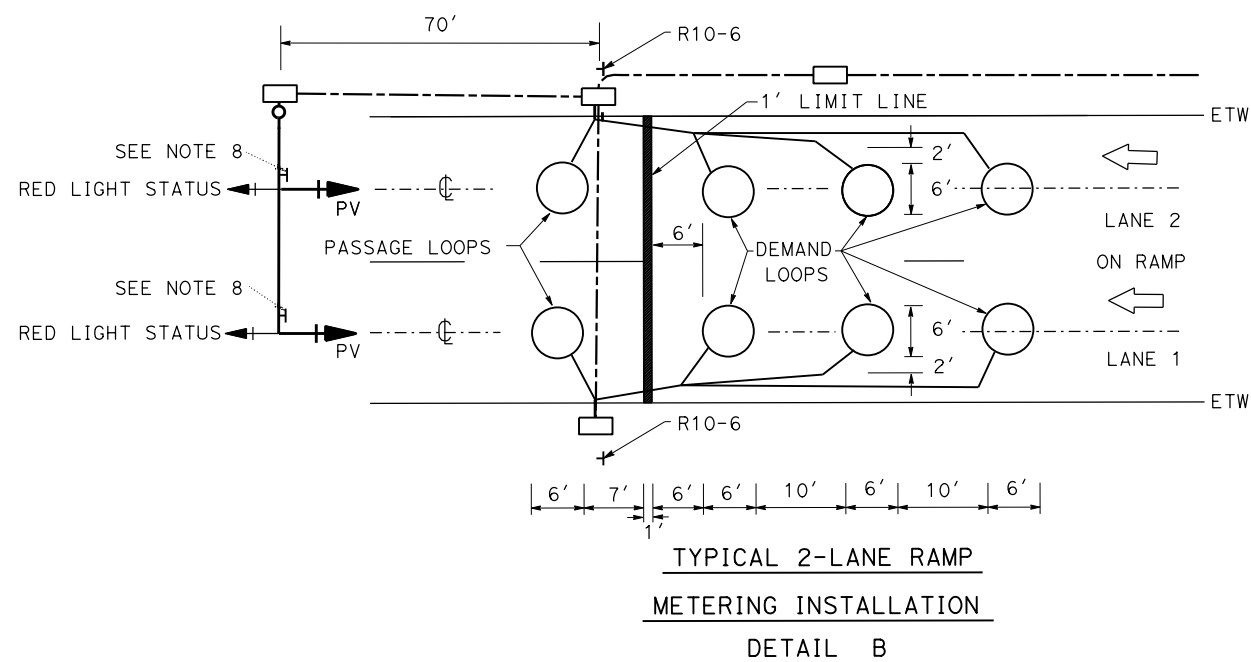
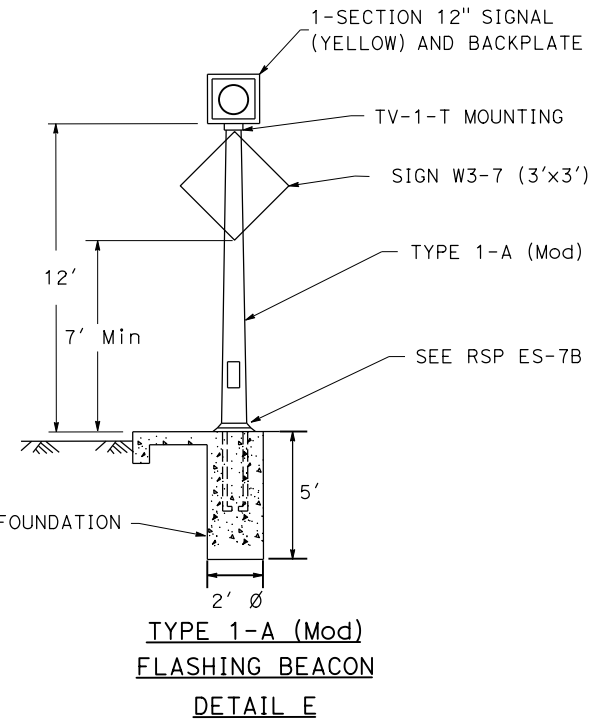
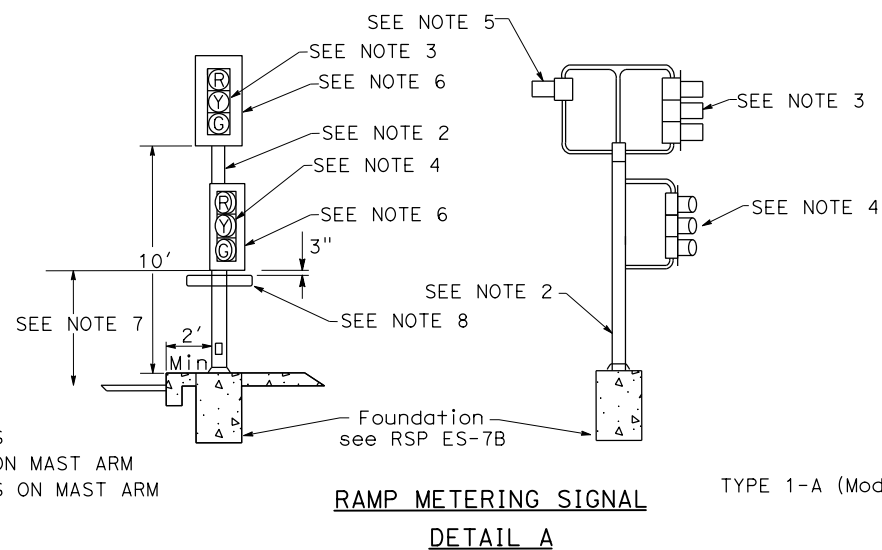


NOTES: (THIS SHEET ONLY)

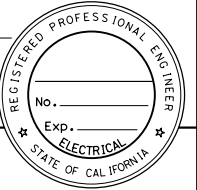
1. SEE RSP ES-5A, RSP ES-5B AND RSP ES-5D FOR ADDITIONAL LOOP DETECTOR INFORMATION NOT SHOWN
2. TYPE 1-A STANDARD, INSTALL ANCHOR BOLTS WITH SLEEVE NUTS (SEE RSP ES-7B)
3. 3-SECTION 12" SIGNAL HEAD (RED, YELLOW, GREEN), 18" X 12" ANGLED VISORS REQUIRED WHERE SHOWN, TYPE TV-1-T POST-TOP MOUNT
4. 3-SECTION 8" SIGNAL HEAD (RED, YELLOW, GREEN), 8" FULL CIRCLE VISORS, TYPE SV-1-T BRACKET MOUNT ON SIDE OF STANDARD AWAY FROM TRAFFIC
5. 1-SECTION 12" SIGNAL HEAD (RED), 12" FULL CIRCLE VISOR, RED STATUS LIGHT TYPE TV-1-T POST-TOP MOUNT
6. BACKPLATE
7. 4'-6" ABOVE LANE CENTER LINE
8. FURNISHING ALL SIGNS ON THIS SHEET IS INCLUDED IN FURNISH SINGLE SHEET ALUMINUM SIGN (0.063"-UNFRAMED). SEE SIGN QUANTITIES.
 R89 22" X 6" (1 CAR PER GREEN) FOR ONE LANE AND HOV
 R89-2 22" X 10" (1 CAR PER GREEN THIS LANE) FOR TWO LANES
 R89-2 22" X 10" (2 CARS PER GREEN THIS LANE) FOR TWO LANES
 R89-2 36" X 16" (1 CAR PER GREEN THIS LANE) FOR ONE LANE ON MAST ARM
 R89-2 36" X 16" (2 CARS PER GREEN THIS LANE) FOR TWO LANES ON MAST ARM



Dist	COUNTY	ROUTE	POST MILES TOTAL PROJECT	SHEET No.	TOTAL SHEETS

REGISTERED ELECTRICAL ENGINEER	DATE
PLANS APPROVAL DATE	

THE STATE OF CALIFORNIA OR ITS OFFICERS OR AGENTS SHALL NOT BE RESPONSIBLE FOR THE ACCURACY OR COMPLETENESS OF SCANNED COPIES OF THIS PLAN SHEET.



ELECTRICAL EXAMPLE K12, MODIFYING EXISTING ELECTRICAL SYSTEMS, MODIFYING RAMP METERING DETAILS

STATE OF CALIFORNIA - DEPARTMENT OF TRANSPORTATION
Ed Catbars ELECTRICAL DESIGN

FUNCTIONAL SUPERVISOR
CALCULATED-DESIGNED BY
CHECKED BY

REVISED BY
DATE REVISED

x
x
x

EXAMPLE K12 MODIFYING EXISTING ELECTRICAL SYSTEM - RELEASED 7/21/2017
DATE PLOTTED => 17-AUG-2011
TIME PLOTTED => 14:30