

Dist	COUNTY	ROUTE	POST MILES TOTAL PROJECT	SHEET No.	TOTAL SHEETS
03	Pla	65	R11.9/R24.1		

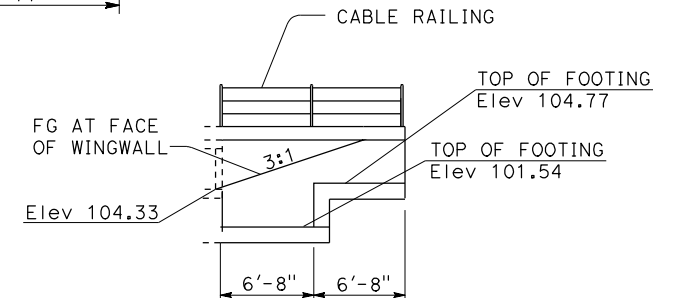
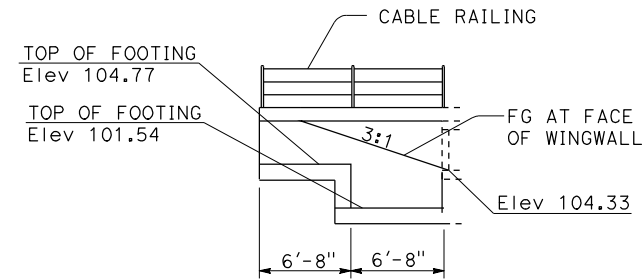
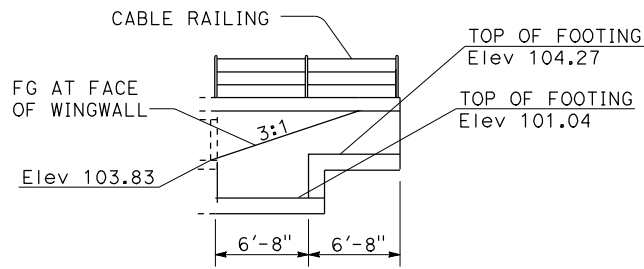
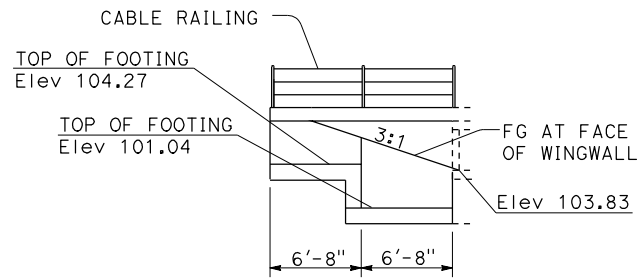
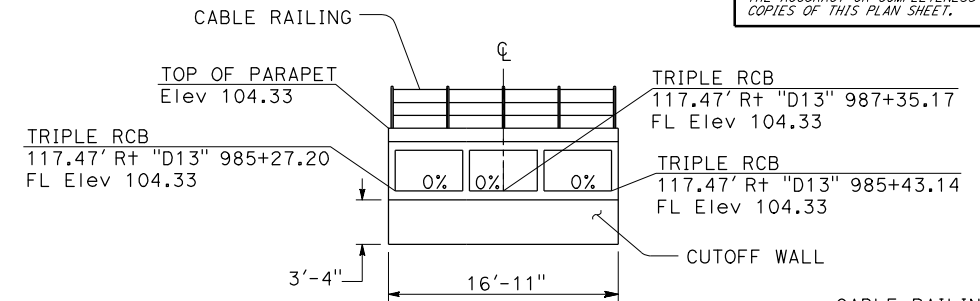
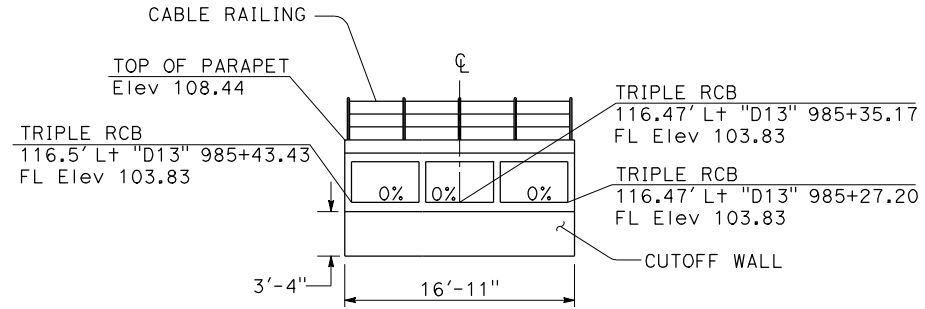
REGISTERED CIVIL ENGINEER DATE _____

PLANS APPROVAL DATE _____

THE STATE OF CALIFORNIA OR ITS OFFICERS OR AGENTS SHALL NOT BE RESPONSIBLE FOR THE ACCURACY OR COMPLETENESS OF SCANNED COPIES OF THIS PLAN SHEET.

NOTES (THIS SHEET ONLY):

1. USE STANDARD PLAN FOR MULTIPLE CELL CULVERTS WITH MAXIMUM EARTH COVER = 20'.
2. FOR DETAILS NOT SHOWN, SEE STANDARD PLAN D81.
3. FOR CUTOFF WALL, SEE STANDARD PLAN D84.
4. FOR CABLE RAILING, SEE STANDARD PLAN B11-47.

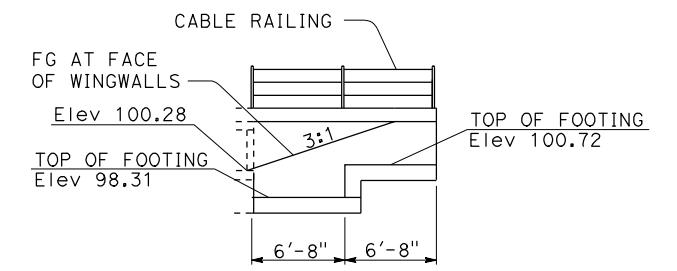
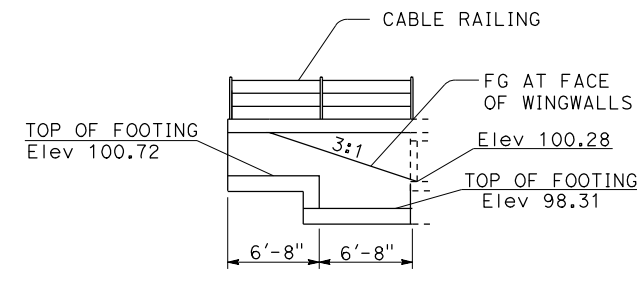
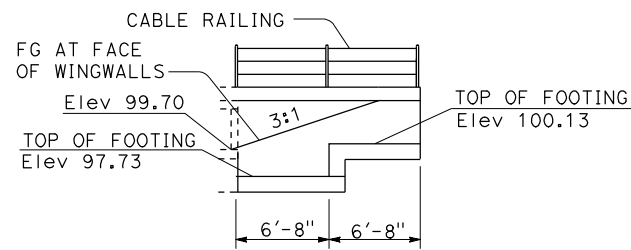
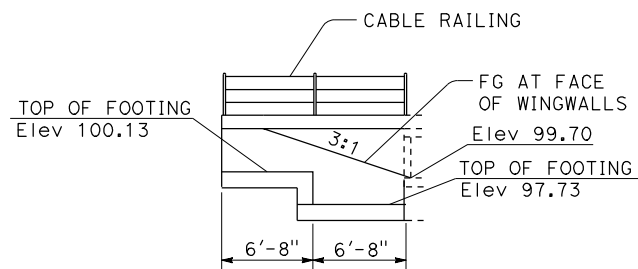
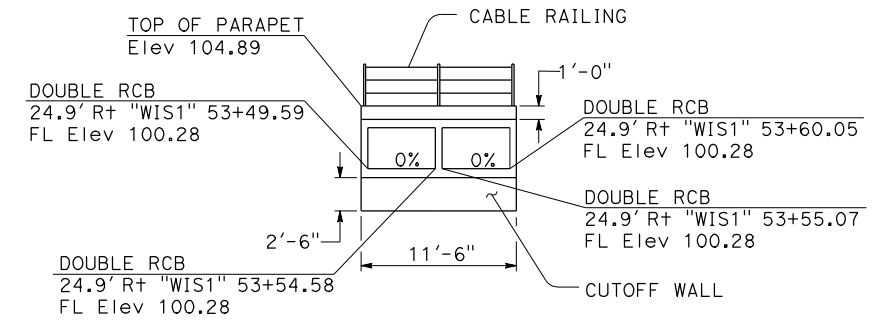
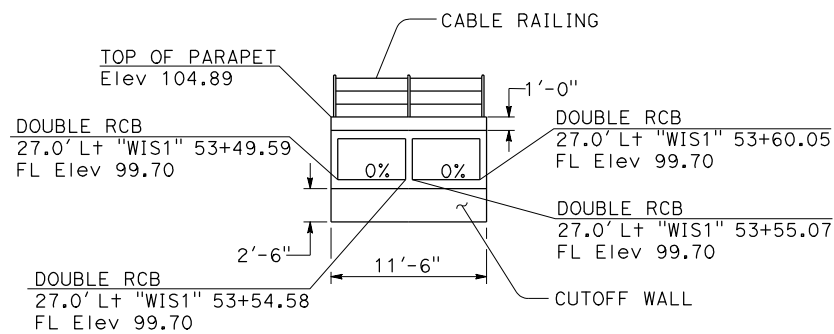


WINGWALLS FOR Lt

WINGWALLS FOR Rt

DRAINAGE SYSTEM No. 68

"D13" 985+34.51



WINGWALLS FOR Lt

WINGWALLS FOR Rt

DRAINAGE SYSTEM No. 82

"WIS1" 53+49.59

THIS EXAMPLE IS ONE OF MANY EXAMPLES OF THE VARIOUS TYPES OF PROJECT PLAN SHEETS FROM THE SAME CONSTRUCTION PROJECT, "ROUTE 65 BYPASS PROJECT."

DRAINAGE DETAILS SHEET, EXAMPLE "65 DD-3"

DRAINAGE DETAILS

NO SCALE

DD-3



STATE OF CALIFORNIA - DEPARTMENT OF TRANSPORTATION
Caltrans