

SUPERSEDES EXAMPLE RELEASED 10/30/09

Dist	COUNTY	ROUTE	POST MILES TOTAL PROJECT	SHEET No.	TOTAL SHEETS
03	Pla	65	R11.9/R24.1		

REGISTERED CIVIL ENGINEER DATE

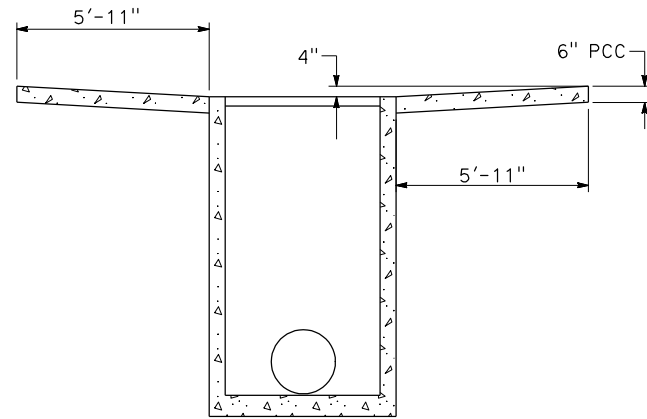
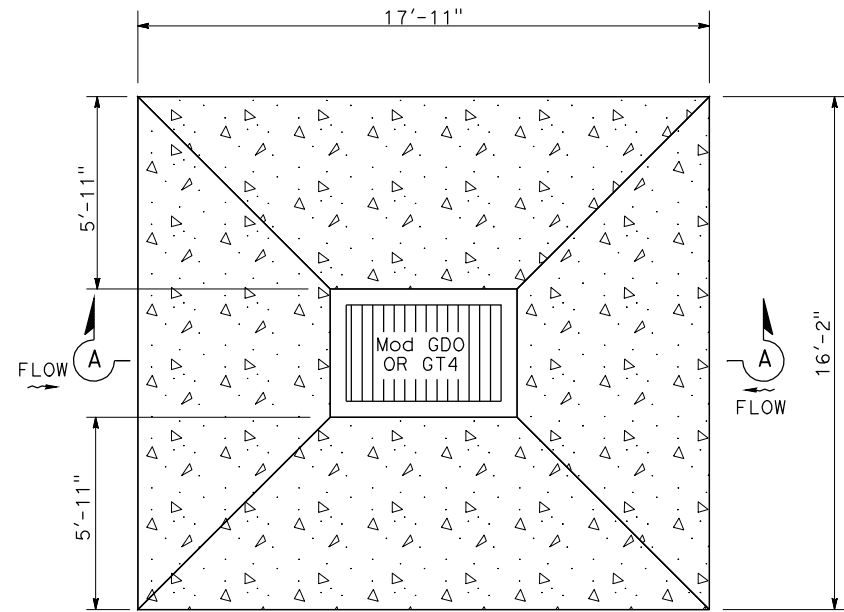
PLANS APPROVAL DATE

THE STATE OF CALIFORNIA OR ITS OFFICERS OR AGENTS SHALL NOT BE RESPONSIBLE FOR THE ACCURACY OR COMPLETENESS OF SCANNED COPIES OF THIS PLAN SHEET.

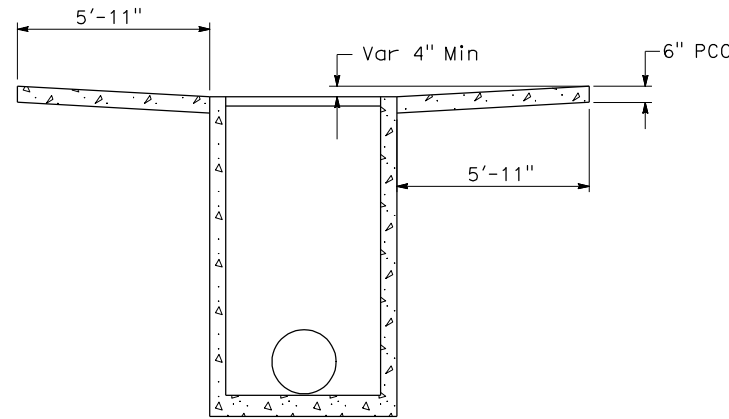
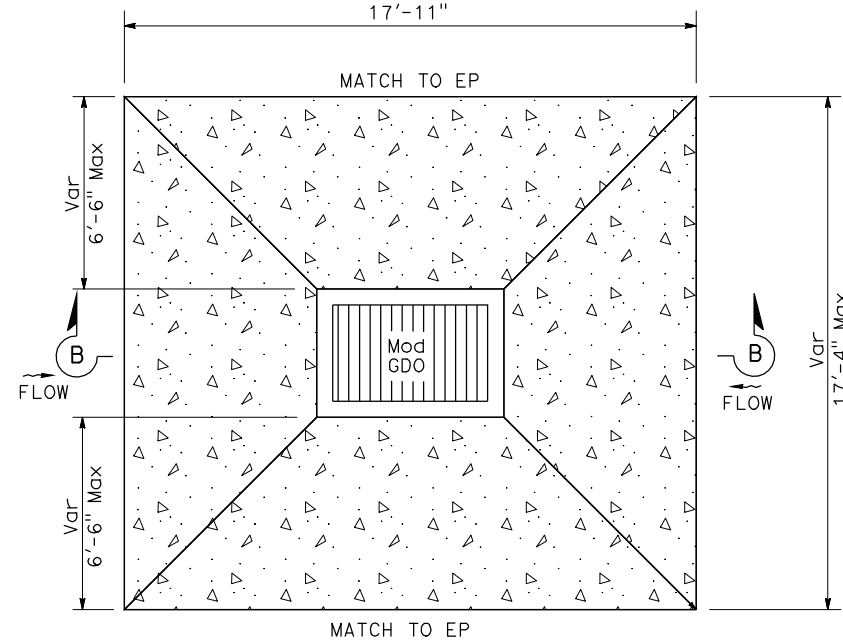


DRAINAGE DETAILS SHEET, EXAMPLE "65 DD-2" RELEASED 1/6/2012

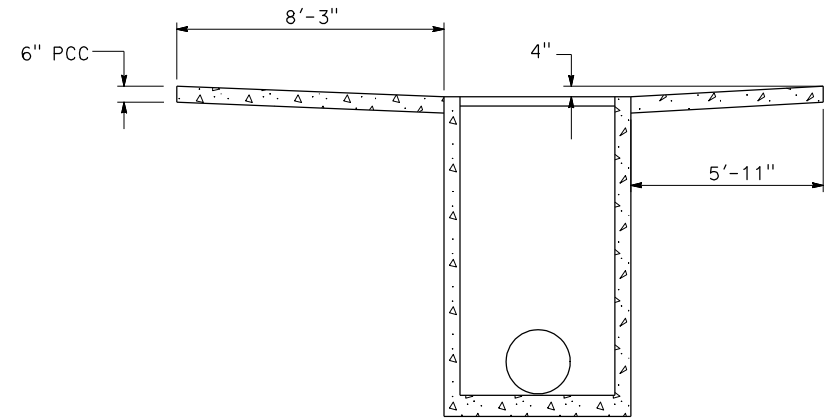
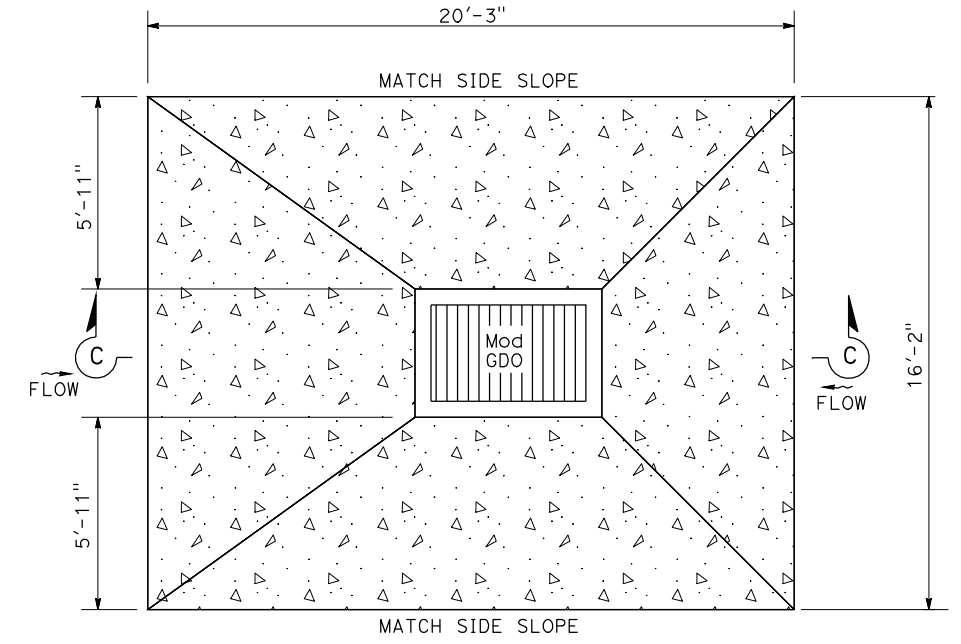
STATE OF CALIFORNIA - DEPARTMENT OF TRANSPORTATION
 Functional Supervisor
 Calculated/Designed by
 Checked by
 Revised by
 Date Revised
 Galters



SECTION A-A
PCC APRON (TYPE E)



SECTION B-B
PCC APRON (TYPE F)



SECTION C-C
PCC APRON (TYPE J)

THIS EXAMPLE IS ONE OF MANY EXAMPLES OF THE VARIOUS TYPES OF PROJECT PLAN SHEETS FROM THE SAME CONSTRUCTION PROJECT, "ROUTE 65 BYPASS PROJECT."

DRAINAGE DETAILS SHEET, EXAMPLE "65 DD-2"

DRAINAGE DETAILS
NO SCALE

DD-2