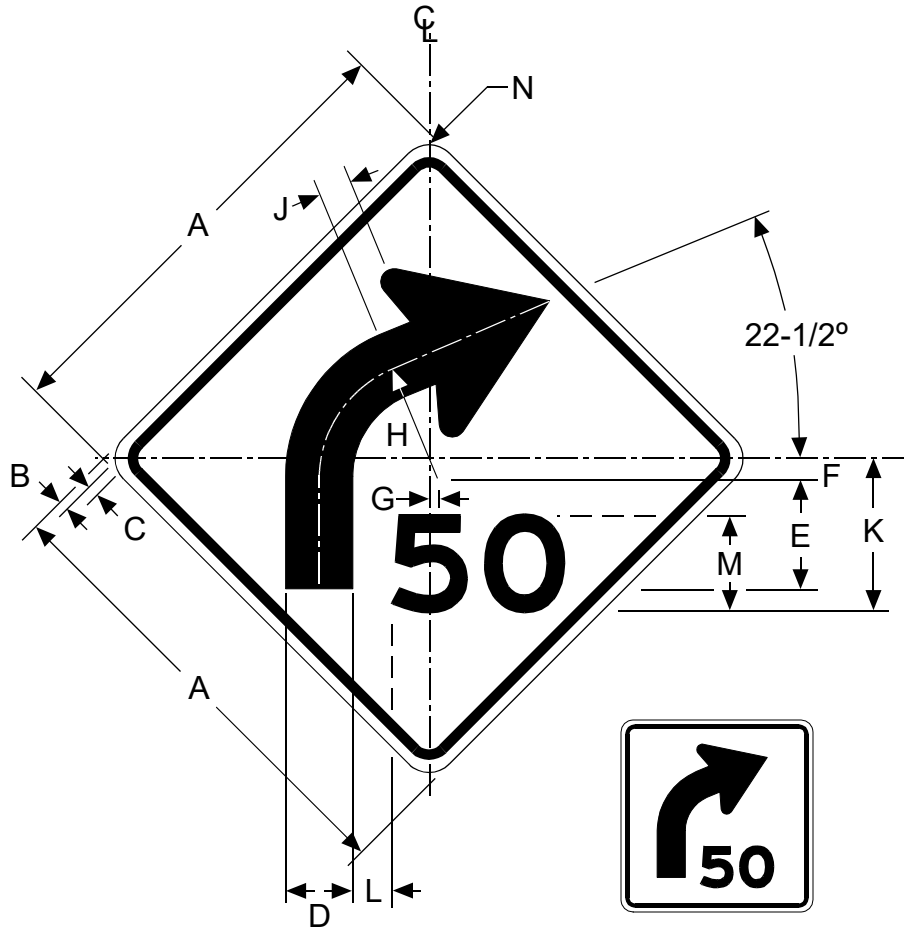


STATE OF CALIFORNIA - DEPARTMENT OF TRANSPORTATION



Notes:

1. For arrowhead dimensions, see page 6-2 of the Standard Highway Signs Book.
2. Left or right arrow, specify when ordering.
3. Speed, specify when ordering.
4. Diamond or square shape, specify when ordering.

W4-7 (CA)

ENGLISH UNITS

A	B	C	D	E	F	G	H	J	K	L	M	N
48	.75	1.25	7	11.5	2.25	1	12.5	3.5	16	4	10E	3
60	.875	1.5	8.75	14.375	2.8125	1.25	15.5625	4.375	20	5	12E	3.75
72	1	1.75	10.5	17.25	3.375	1.5	18.75	5.25	24	6	15E	4.5
96	1.25	2.25	14	23	4.5	2	25	7	32	8	20E	6

COLORS: BORDER & LEGEND - BLACK
 BACKGROUND - YELLOW (RETROREFLECTIVE)