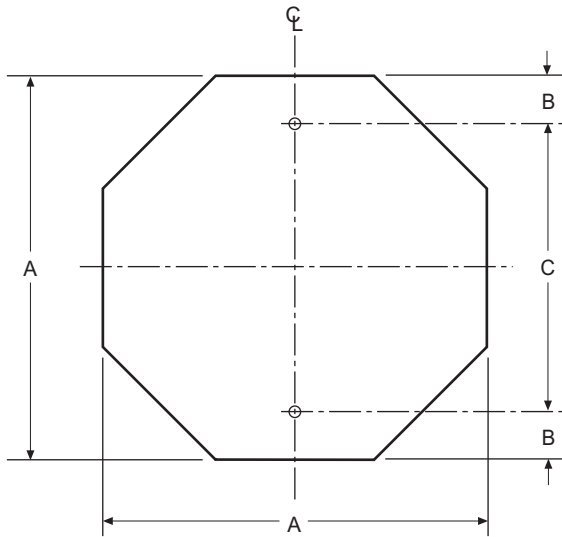


STATE OF CALIFORNIA - DEPARTMENT OF TRANSPORTATION

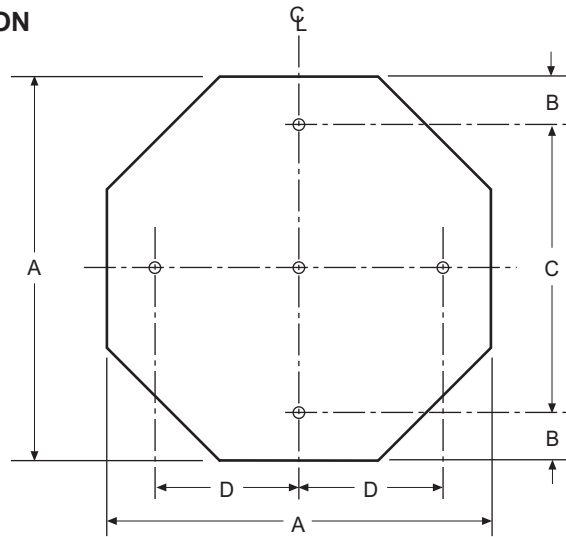
BLANK STANDARDS (3/8" Bolt Holes) - (Sheet 1 of 5)



OCTAGON

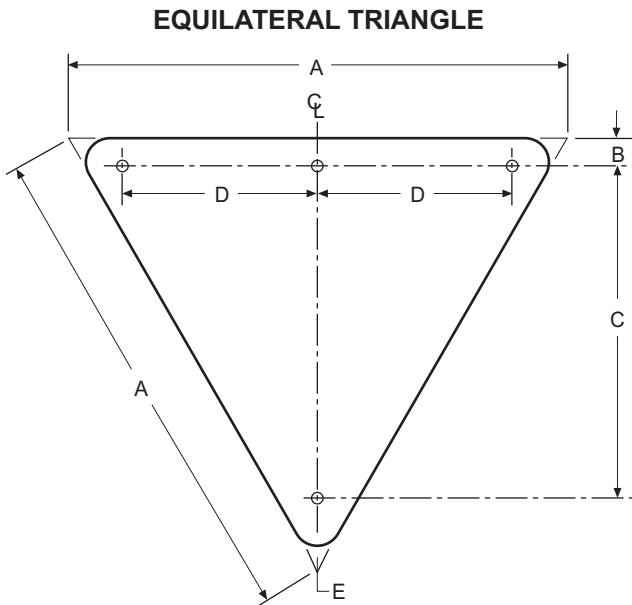
ENGLISH UNITS

A	B	C
18	1.5	15
24	3	18
30	3	24



ENGLISH UNITS

A	B	C	D
36	3	30	16
48	6	36	16

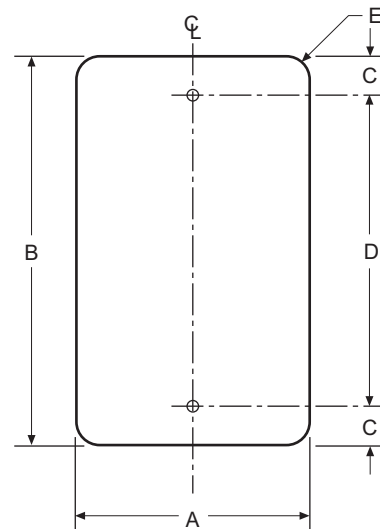


EQUILATERAL TRIANGLE

ENGLISH UNITS

A	B	C	D	E
36	2	24	-	1.5
48	3	32	16	1.5

VERTICAL RECTANGLE

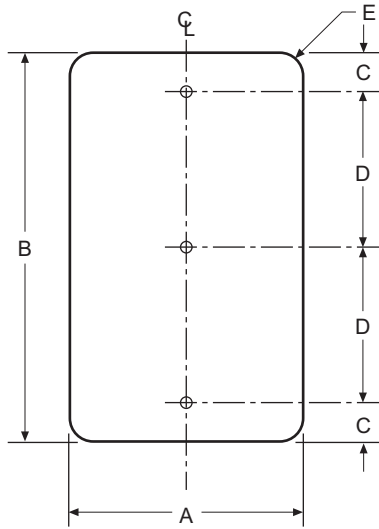


ENGLISH UNITS

A	B	C	D	E
5	7.5	-	-	.5
5	7.75	-	-	.5
9	12	1	10	1.5
12	18	1.5	15	1.5
12	24	1.5	21	1.5
12	30	3	24	1.5
14	20.5	1.25	18	1.5
18	24	1.5	21	1.5
18	30	3	24	1.5
24	30	3	24	1.5

STATE OF CALIFORNIA - DEPARTMENT OF TRANSPORTATION

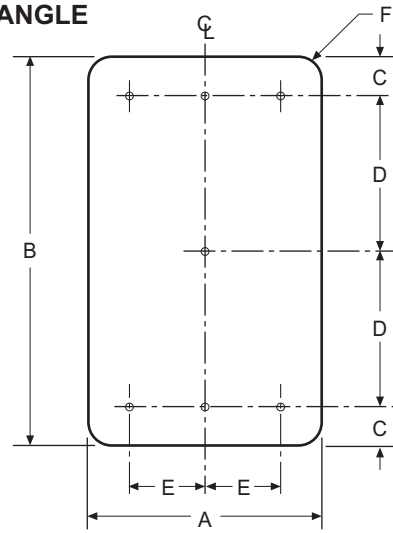
BLANK STANDARDS (3/8" Bolt Holes) - (Sheet 2 of 5)



ENGLISH UNITS

A	B	C	D	E
30	36	3	15	1.875
30	42	3	18	1.875
30	48	3	21	1.875
30	54	3	24	1.875
30	60	6	24	1.875
30	66	6	27	1.875

VERTICAL RECTANGLE

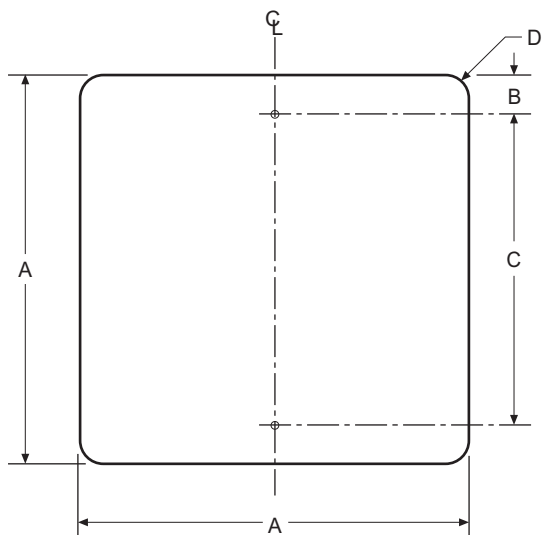


ENGLISH UNITS

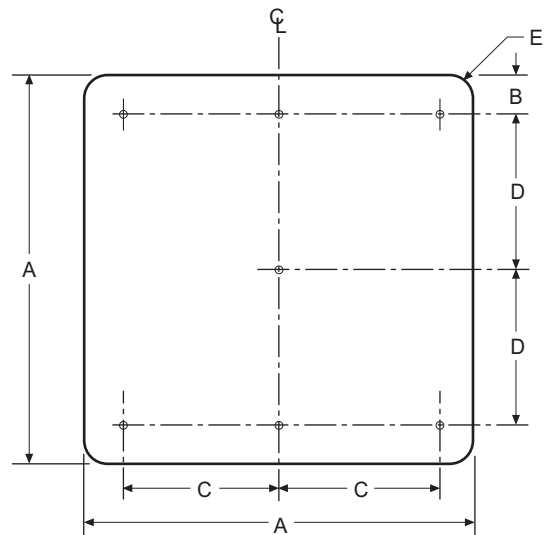
A	B	C	D	E	F
30	72	6	30	-	1.875
36	42	3	18	16	2.25
36	45	1.5	21	16	2.25
36	48	3	21	16	2.25
36	54	3	24	16	2.25
36	60	6	24	16	2.25
36	66	6	27	16	2.25
36	72	6	30	16	2.25
36	78	6	33	16	2.25

ENGLISH UNITS

A	B	C	D	E	F
36	84	6	36	16	2.25
48	54	3	24	16	3
48	60	6	24	16	3
48	66	6	27	16	3
48	72	6	30	16	3
48	78	6	33	16	3
48	84	6	36	16	3
48	90	6	39	16	3
48	96	6	42	16	3



SQUARE



ENGLISH UNITS

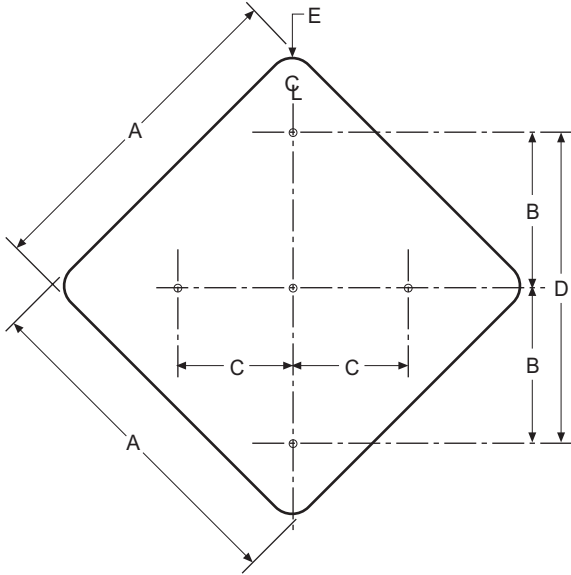
A	B	C	D
12	1	10	1.5
18	1.5	15	1.5
24	1.5	21	1.5
30	3	24	1.875

ENGLISH UNITS

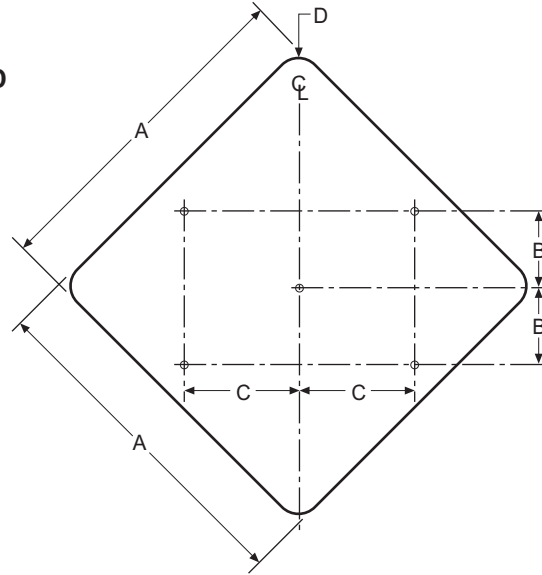
A	B	C	D	E
36	3	16	15	2.25
42	3	16	18	3
45	1.5	16	21	3
48	3	16	21	3

STATE OF CALIFORNIA - DEPARTMENT OF TRANSPORTATION

BLANK STANDARDS (3/8" Bolt Holes) - (Sheet 3 of 5)



DIAMOND



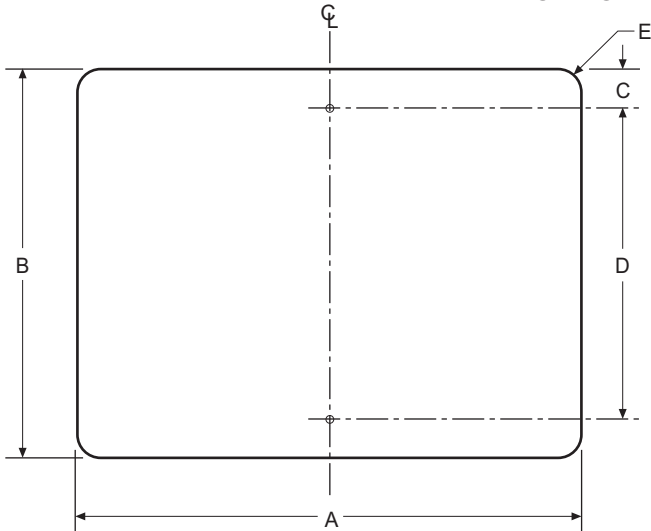
ENGLISH UNITS

A	B	C	D	E
24	-	-	24	1.5
30	15	16	-	1.875
36	18	16	-	2.25
48	24	16	-	3

ENGLISH UNITS

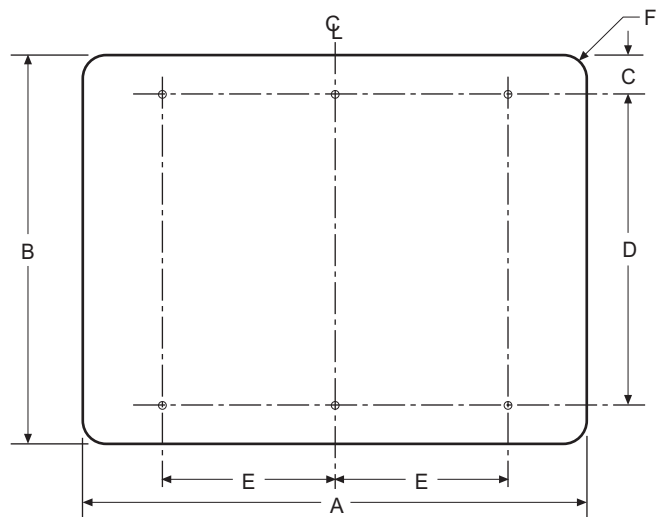
A	B	C	D
60	13.3125	24	3
72	20	27	3
96	26	38	3

HORIZONTAL RECTANGLE



ENGLISH UNITS

A	B	C	D	E
12	8	1	6	1.5
18	12	1	10	1.5
24	12	1	10	1.5
24	18	1.5	15	1.5
30	20	2.5	15	1.5
30	24	3	18	1.5



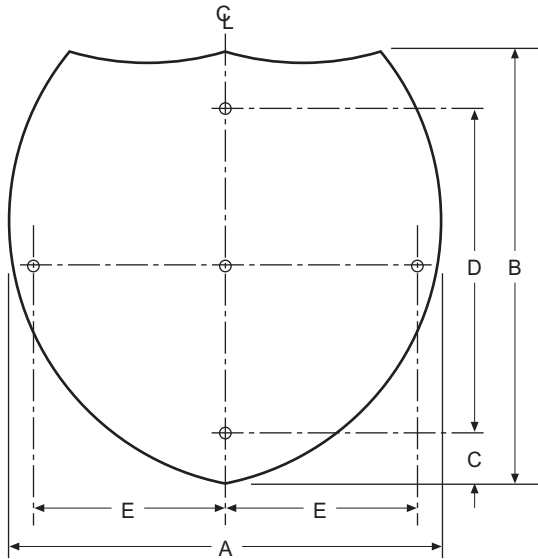
ENGLISH UNITS

A	B	C	D	E	F
36	30	3	24	16	1.5
48	36	3	30	16	2.25
54	45	3	39	16	3
66	48	3	42	21	3

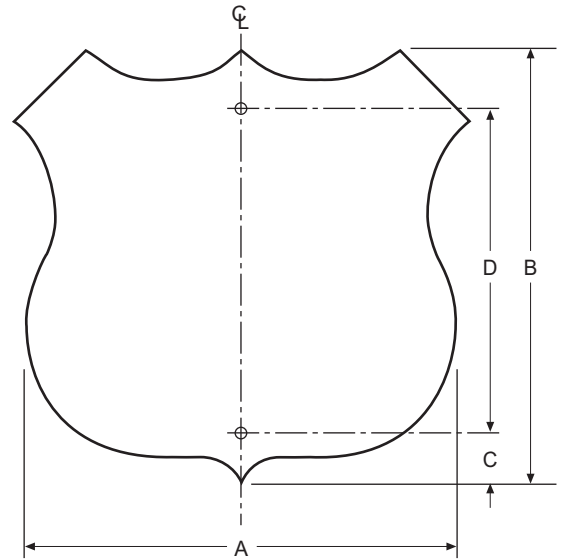
STATE OF CALIFORNIA - DEPARTMENT OF TRANSPORTATION

BLANK STANDARDS (3/8" Bolt Holes) - (Sheet 4 of 5)

INTERSTATE SHIELD



U.S. SHIELD



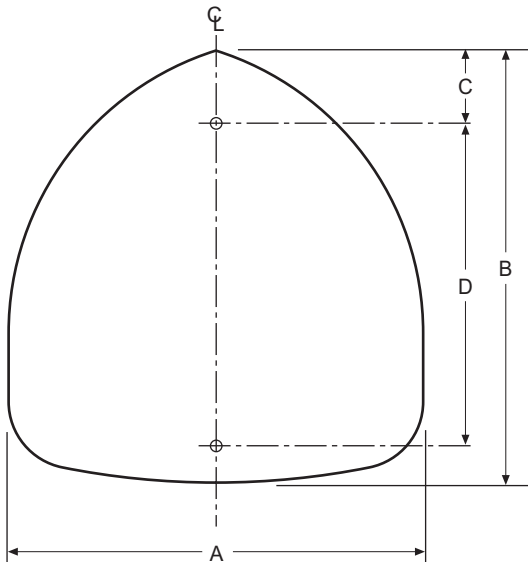
ENGLISH UNITS

A	B	C	D	E	NOTES
24	24	3	18	-	8" NUMERALS, 1 & 2 DIGITS
30	25	3.5	18	-	8" NUMERALS, 3 DIGITS
36	36	3	15	16	12" NUMERALS, 1 & 2 DIGITS
42	36	3	15	16	12" NUMERALS, 3 DIGITS

ENGLISH UNITS

A	B	C	D	NOTES
24	24	3	18	10" NUMERALS, 1 & 2 DIGITS
28	24	3	18	10" NUMERALS, 3 DIGITS
30	30	3	24	12" NUMERALS, 1 & 2 DIGITS
35	30	3	24	12" NUMERALS, 3 DIGITS

STATE SHIELD



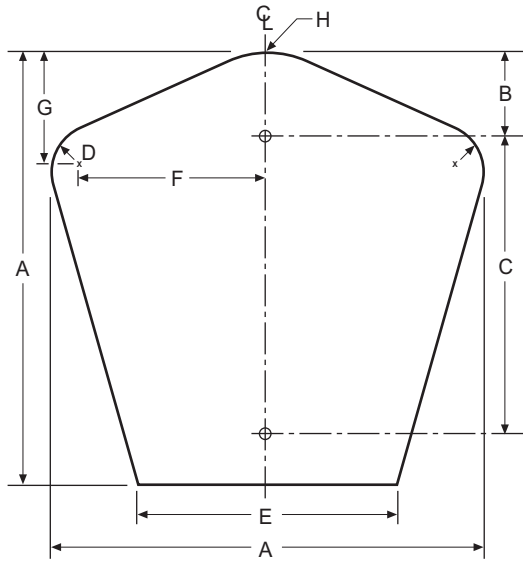
ENGLISH UNITS

A	B	C	D	NOTES
24	25	5	18	10" NUMERALS, 1 & 2 DIGITS
28	25	5	18	10" NUMERALS, 3 DIGITS
30	31.25	4.25	24	12" NUMERALS, 1 & 2 DIGITS
35	31.25	4.25	24	12" NUMERALS, 3 DIGITS

STATE OF CALIFORNIA - DEPARTMENT OF TRANSPORTATION

BLANK STANDARDS (3/8" Bolt Holes) - (Sheet 5 of 5)

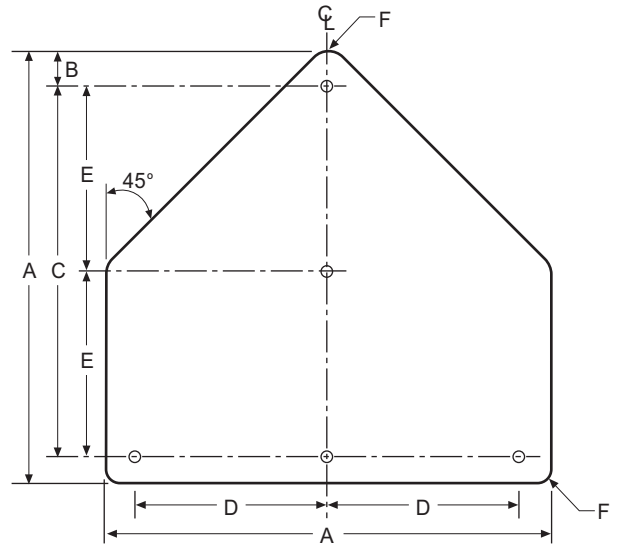
COUNTY SHIELD



ENGLISH UNITS

A	B	C	D	E	F	G	H
18	2	15	2	10.625	7	5	5
24	4	18	2.6875	14.1875	9.3125	6.625	5.3125
30	4	24	3.75	17.75	11.625	8.25	6.625

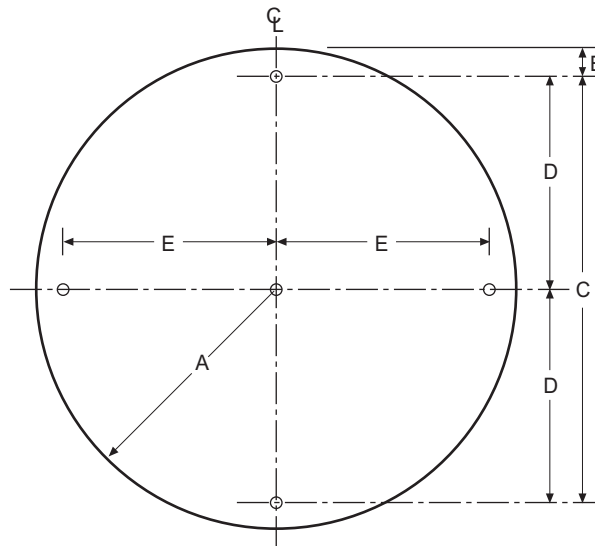
PENTAGON (SCHOOL)



ENGLISH UNITS

A	B	C	D	E	F
30	3	24	-	-	1.875
36	3	-	16	15	2.25
48	6	-	16	18	3

CIRCLE



ENGLISH UNITS

A	B	C	D	E
30	3	24	-	-
36	-	-	15	16