
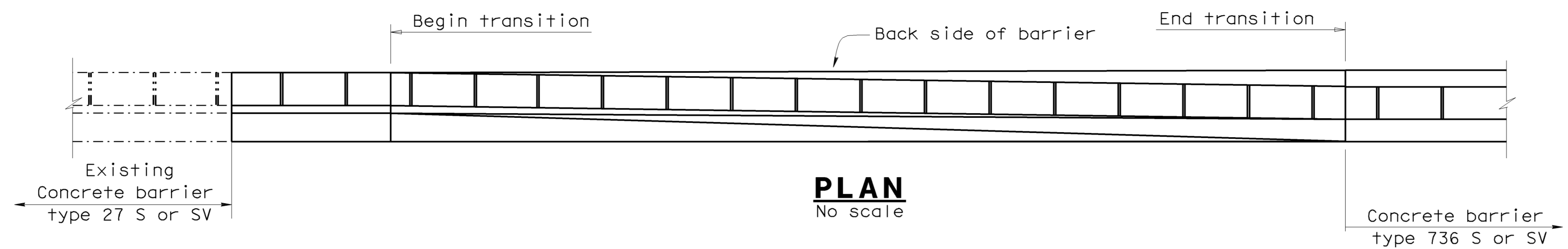


DIST.	COUNTY	ROUTE	POST MILES TOTAL PROJECT	SHEET NO.	TOTAL SHEETS

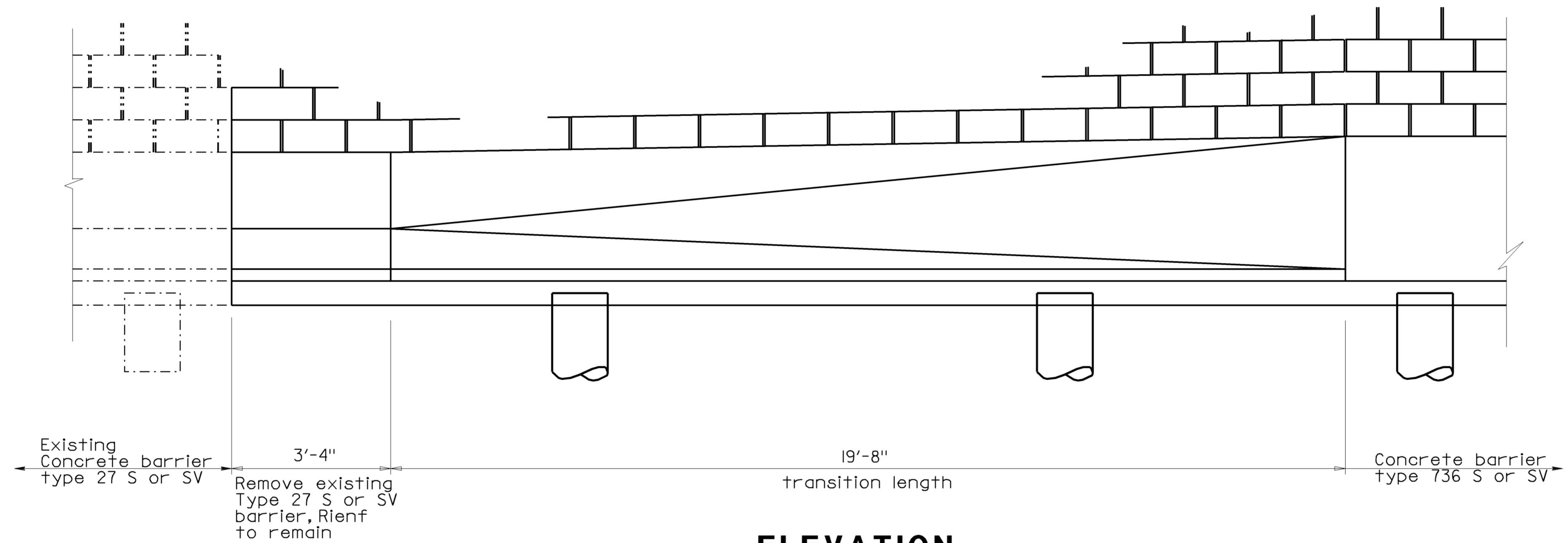
REGISTERED ENGINEER - CIVIL

PLANS APPROVAL DATE

The State of California or its officers or agents shall not be responsible for the accuracy or completeness of electronic copies of this plan sheet.

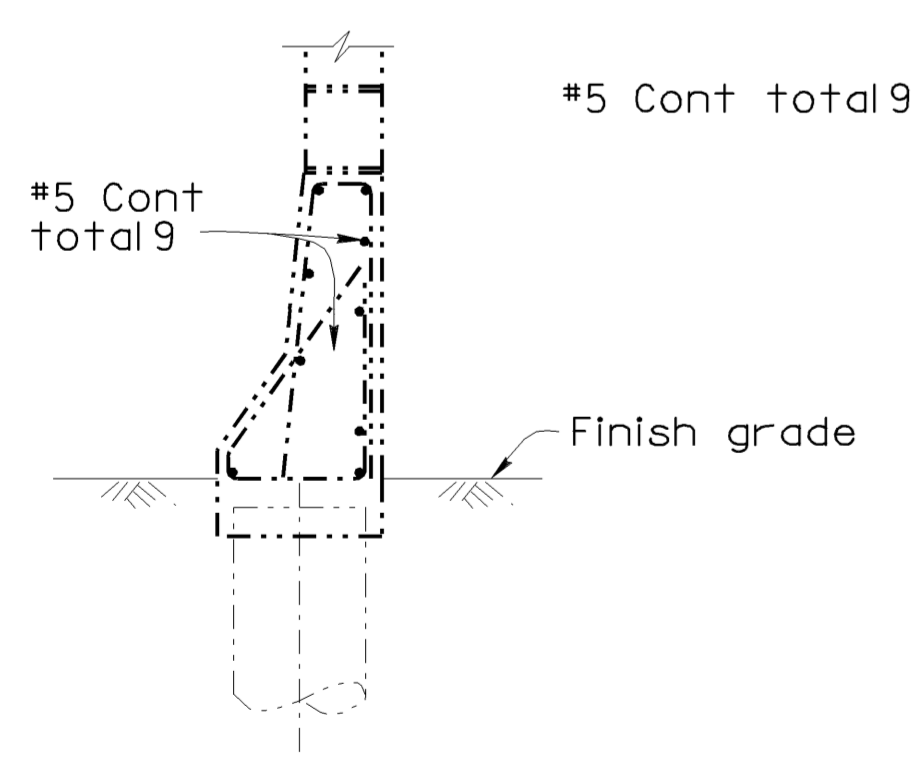



PLAN
No scale

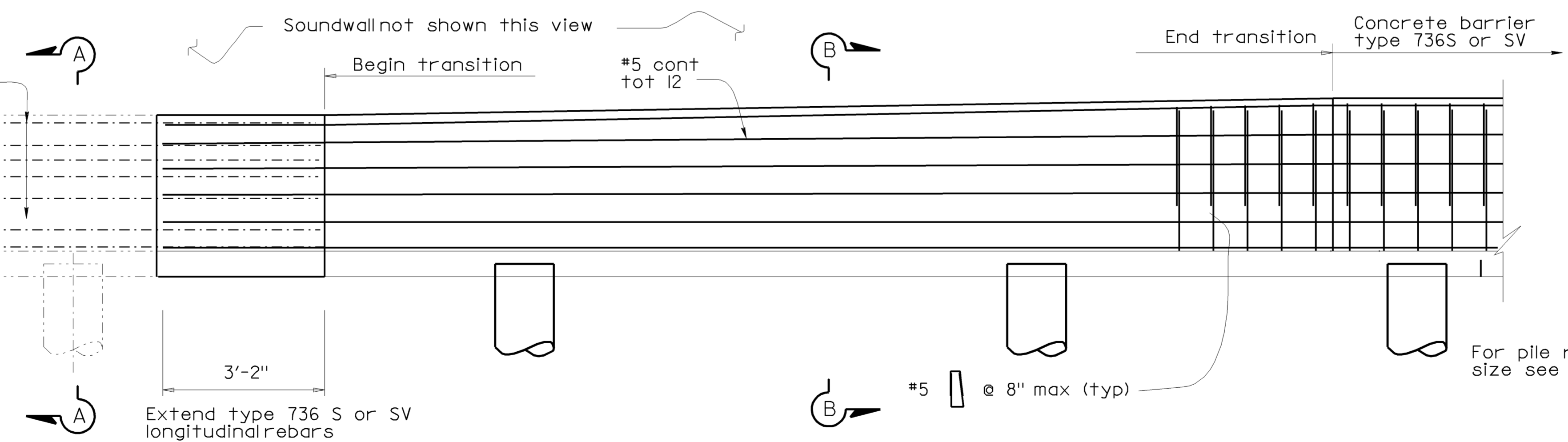


ELEVATION
No scale

For Soundwall reinf see Std. Plans

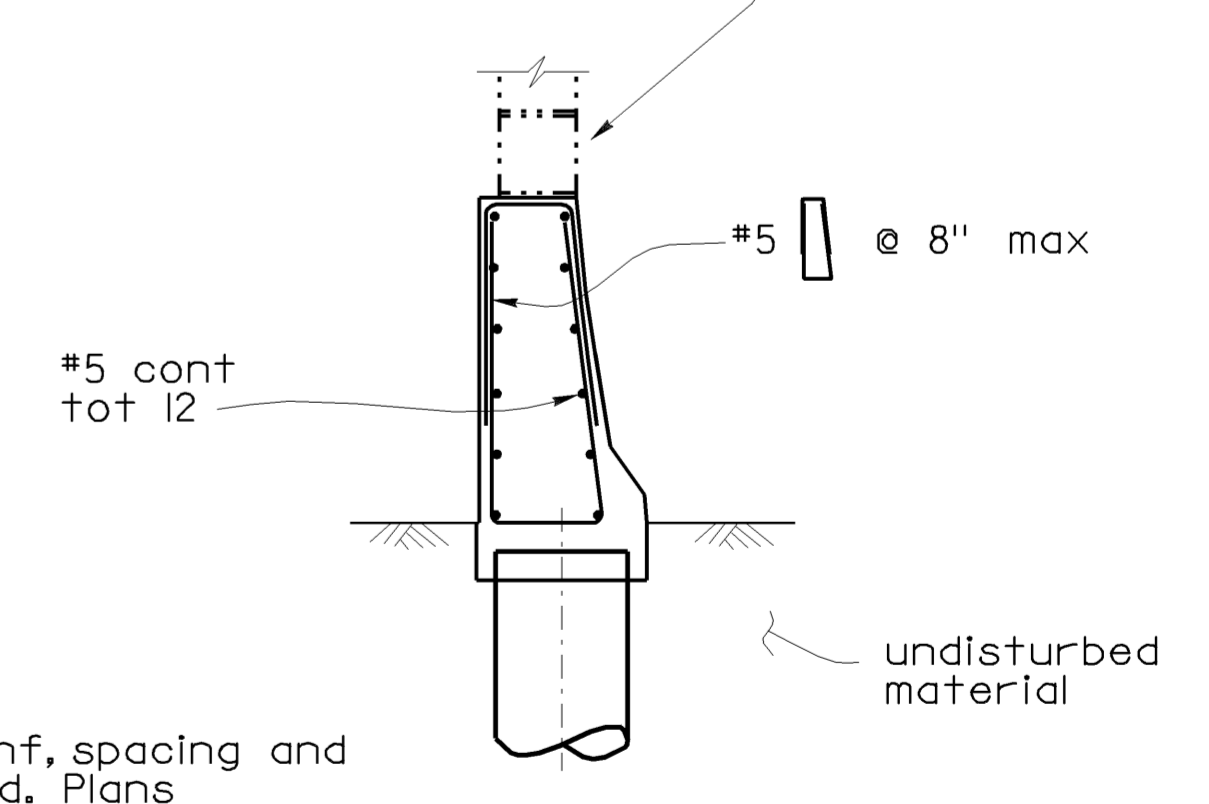


SECTION A-A
Concrete barrier type 27S shown
No scale



ELEVATION
REINFORCEMENT DETAIL
No scale

For soundwall reinf see Std. Plans



SECTION B-B
No scale

STANDARD DRAWING			STATE OF CALIFORNIA		DIVISION OF ENGINEERING SERVICES		BRIDGE NO.		BARRIER-CONCRETE TYPE 736S/SV TRANSITION TO CONCRETE BARRIER TYPE 27S/SV			
FILE NO. xs16-120e	APPROVED BY <u>T SATTER</u> RESPONSIBLE TECHNICAL SPECIALIST	RELEASED BY <u>ROBERTO LACALLE</u> RESPONSIBLE OFFICE CHIEF	DEPARTMENT OF TRANSPORTATION		ENGINEERING SERVICES		POST MILE	LAYOUT AND DETAILS				
APPROVAL DATE <u>4-15-08</u>	RELEASE DATE <u>4-15-08</u>		ORIGINAL SCALE IN INCHES FOR REDUCED PLANS		CU EA		REVISION DATES (PRELIMINARY STAGE ONLY)					
DS OSD 2147A (ENGLISH STANDARD DRAWING "XS" BORDER REV. 01/11/08)			0 1 2 3		DISREGARD PRINTS BEARING EARLIER REVISION DATES		SHEET OF					
					USERNAME => rfw		xS16-120e.dgn					

DATE PLOTTED => 30-JUN-2008 TIME PLOTTED => 12:13