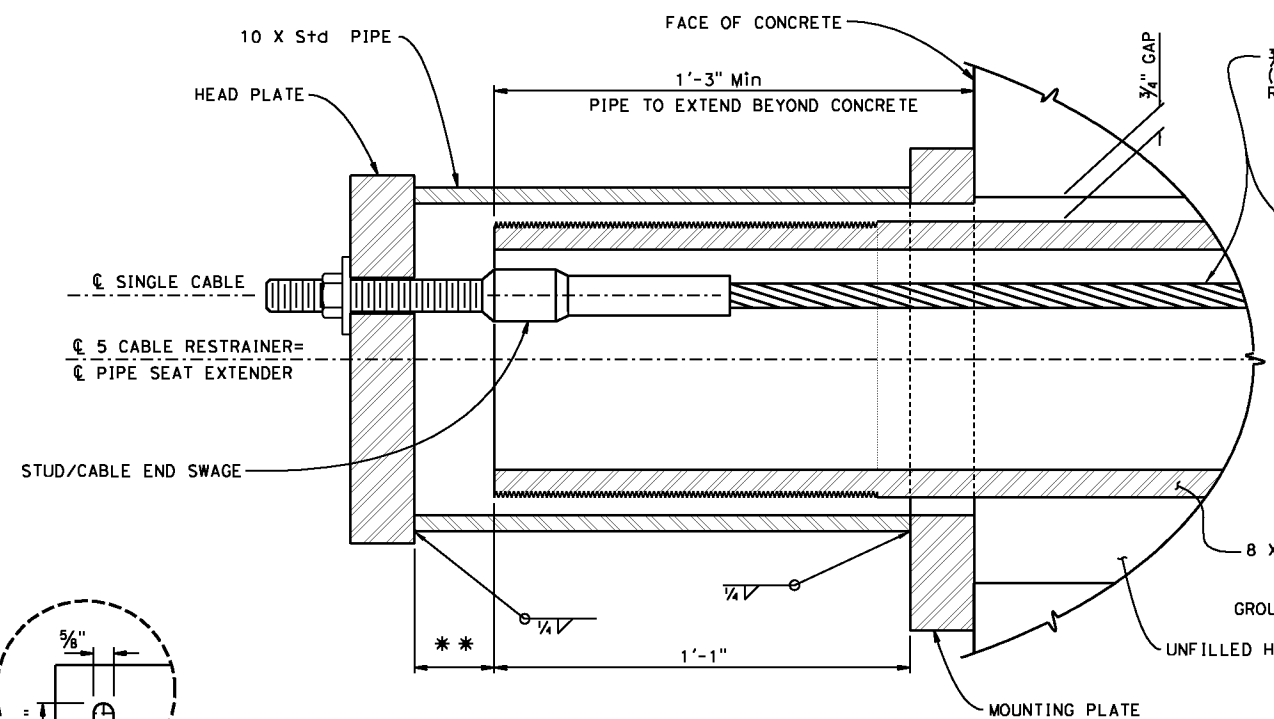


DIST	COUNTY	ROUTE	POST MILES TOTAL PROJECT	SHEET No.	TOTAL SHEETS
X	X	X	X	X	X

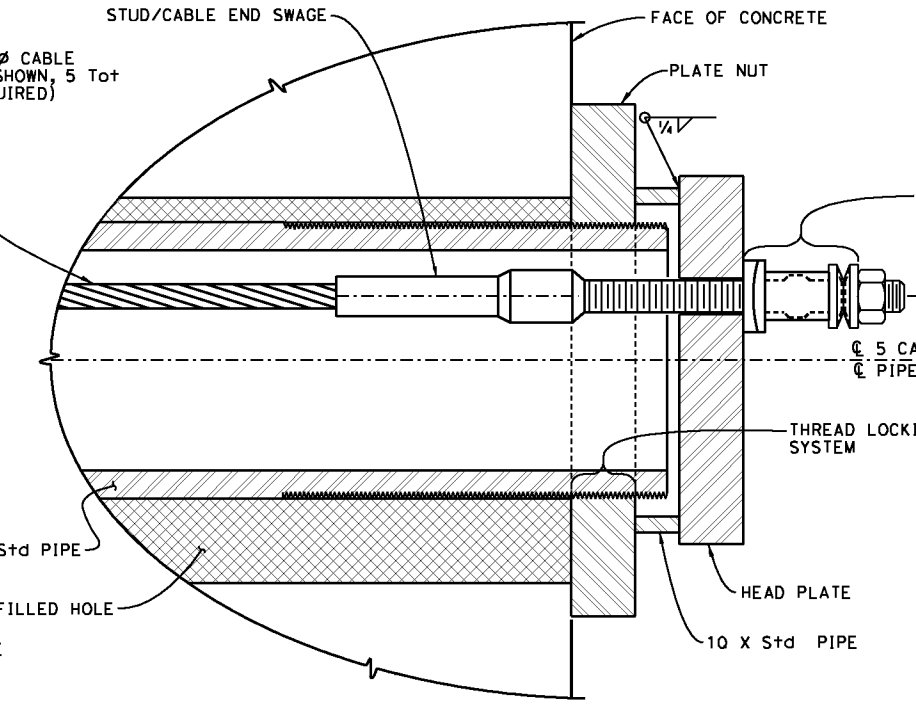
REGISTERED CIVIL ENGINEER	DATE
PLANS APPROVAL DATE	

REGISTERED PROFESSIONAL ENGINEER
No. X
Exp. X
CIVIL
STATE OF CALIFORNIA

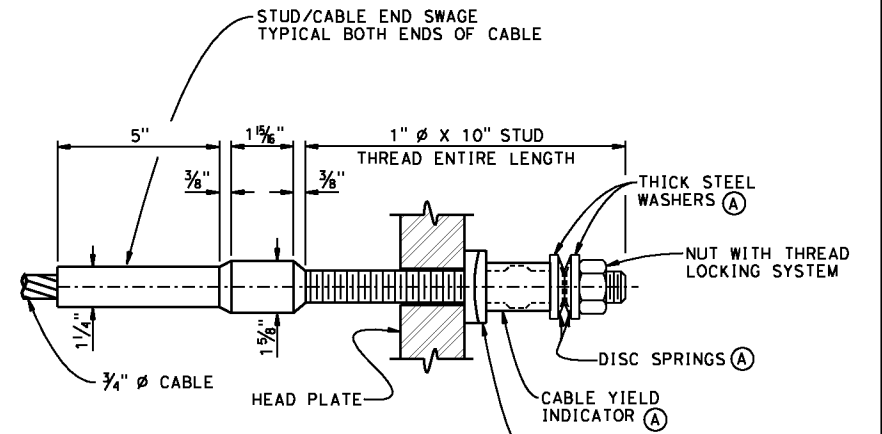
The State of California or its officers or agents shall not be responsible for the accuracy or completeness of electronic copies of this plan sheet.



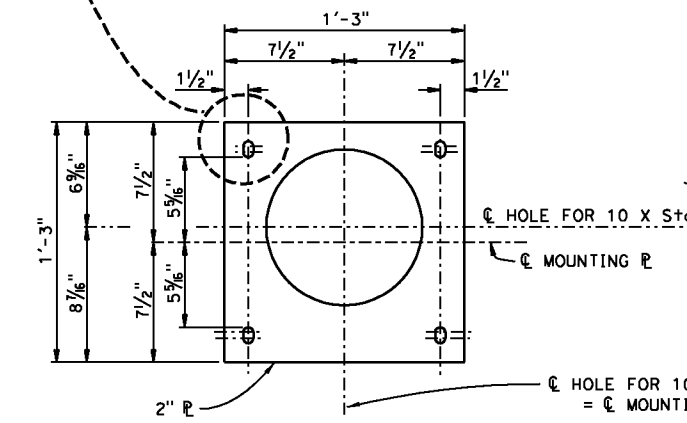
FIXED END ASSEMBLY



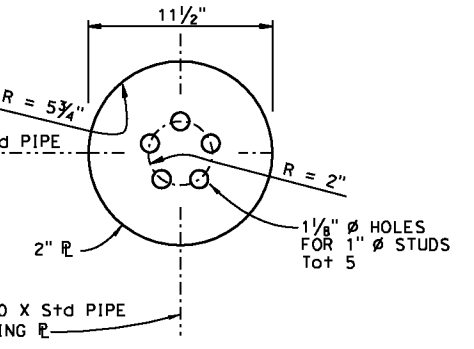
ADJUSTMENT END ASSEMBLY



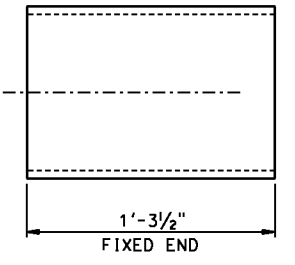
SWAGE STUD DETAIL
NO SCALE



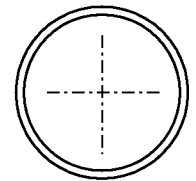
MOUNTING PLATE
NO SCALE



HEAD PLATE
NO SCALE

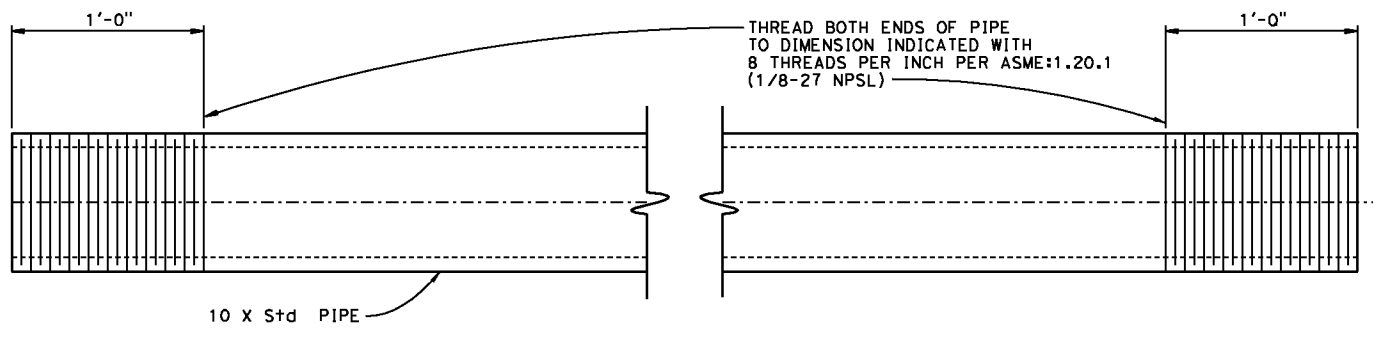


FIXED END

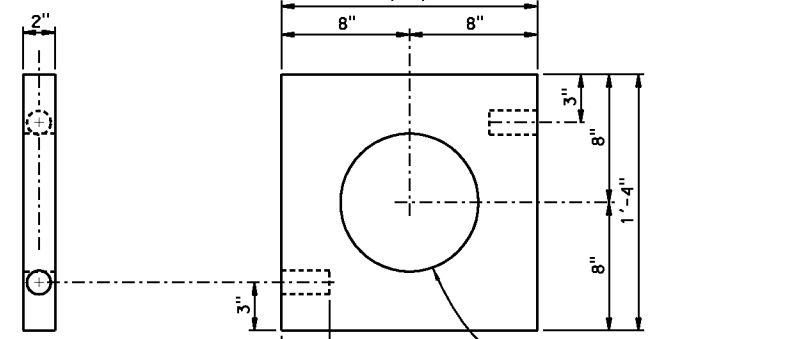


ADJUSTMENT END

10 X Std PIPE
NO SCALE



HINGE SEAT EXTENDER PIPE
NO SCALE



THREADED PLATE NUT
NO SCALE

- NOTES:
- ** DISTANCE TO BE DETERMINED BY THE ENGINEER
 - (A) FOR DIMENSIONS AND INSTALLATION PROCEDURE, SEE "CABLE RESTRAINER ADJUSTMENT HARDWARE" SHEET x87-090

STANDARD DRAWING
FILE NO. xs7-070-2
APPROVAL DATE <u>July 2011</u>

STATE OF CALIFORNIA	DIVISION OF ENGINEERING SERVICES
DEPARTMENT OF TRANSPORTATION	

BRIDGE NO. X	X
POST MILE X	

PIPE/CABLE RESTRAINER SYSTEM-DETAILS NO. 2 (NEW)
--