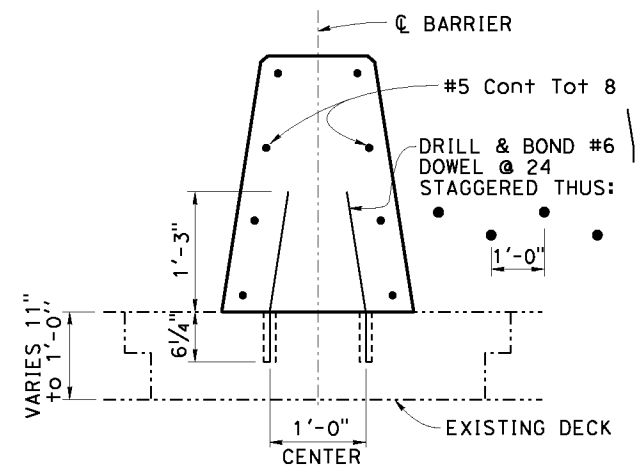


DIST	COUNTY	ROUTE	POST MILES TOTAL PROJECT	SHEET No.	TOTAL SHEETS
X	X	X	X	X	X

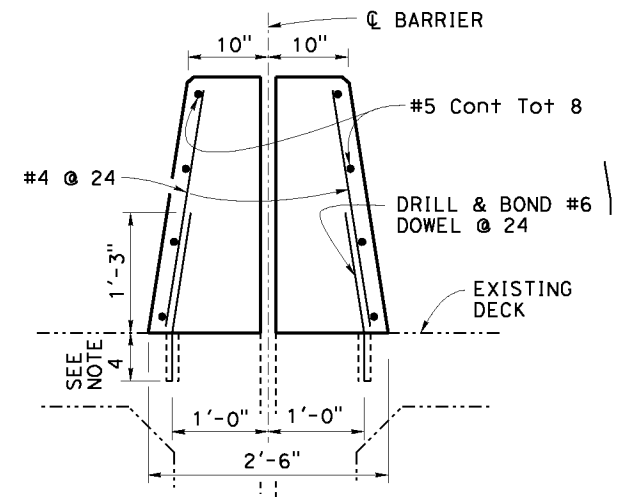
REGISTERED CIVIL ENGINEER	X	DATE
PLANS APPROVAL DATE		

REGISTERED PROFESSIONAL ENGINEER	X
No.	X
Exp.	X
CIVIL	
STATE OF CALIFORNIA	

The State of California or its officers or agents shall not be responsible for the accuracy or completeness of electronic copies of this plan sheet.

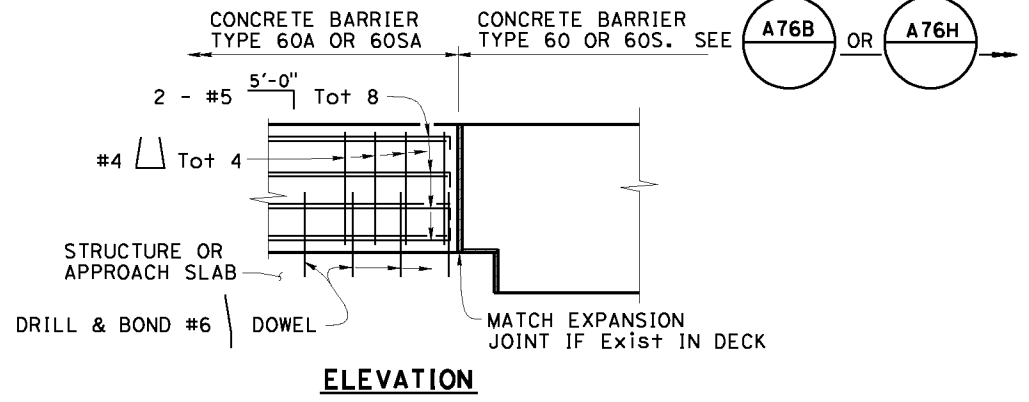


MODIFIED TYPE 60A.1 OR 60SA.1

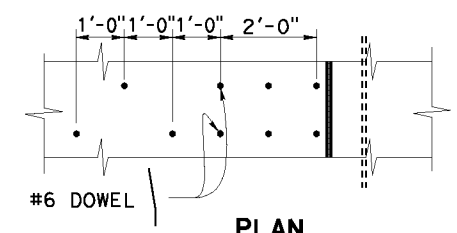


MODIFIED TYPE 60A.4 OR 60SA.4

ONLY VERTICAL DIMENSION VARIES ACCORDING TO RESPECTIVE BARRIER HEIGHT. SEE NOTE 9.



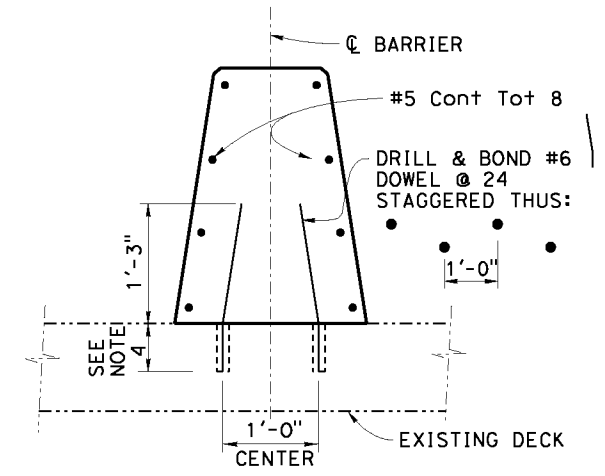
ELEVATION



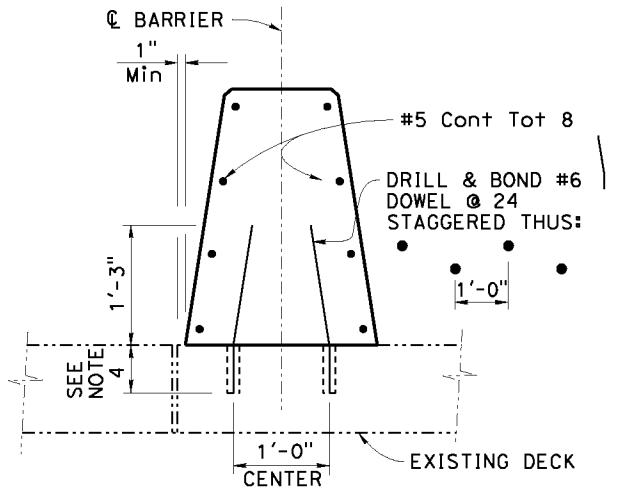
PLAN

CONNECTION TO STRUCTURE

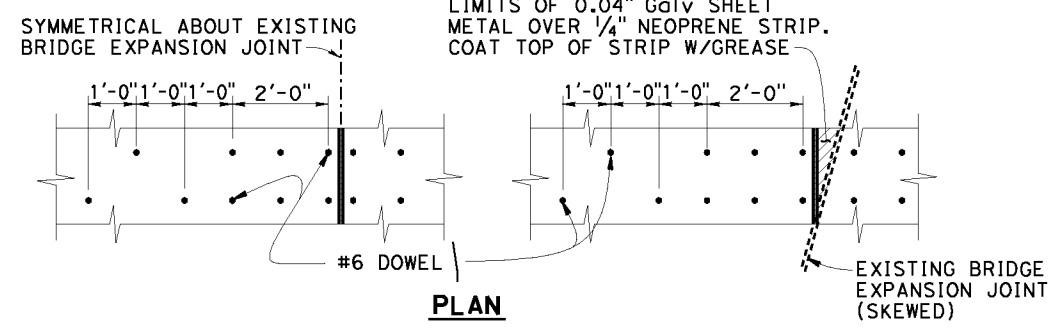
$\frac{1}{2}'' = 1'-0''$



MODIFIED TYPE 60A.2 OR 60SA.2



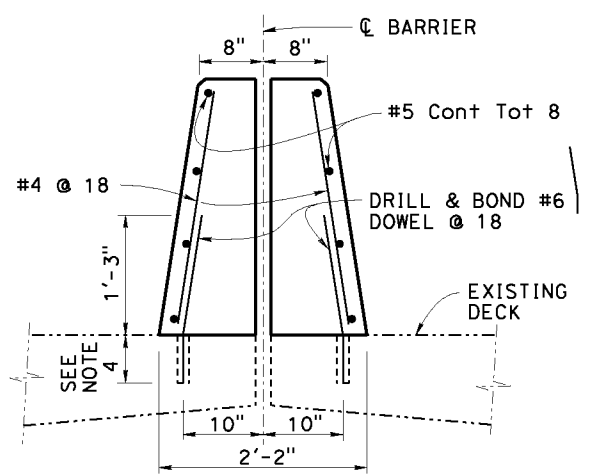
MODIFIED TYPE 60A.5 OR 60SA.5



PLAN

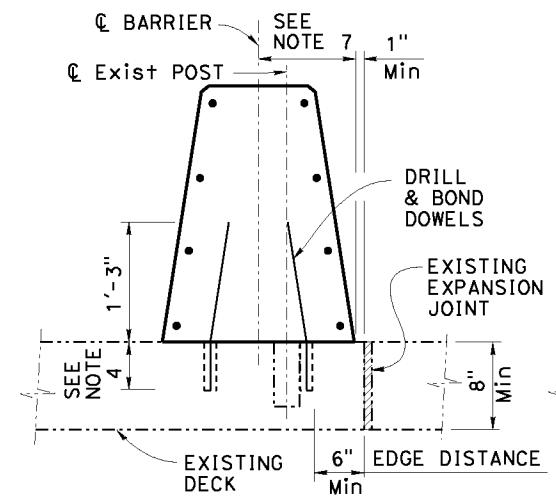
DOWEL SPACING AT EXPANSION JOINT

$\frac{1}{2}'' = 1'-0''$

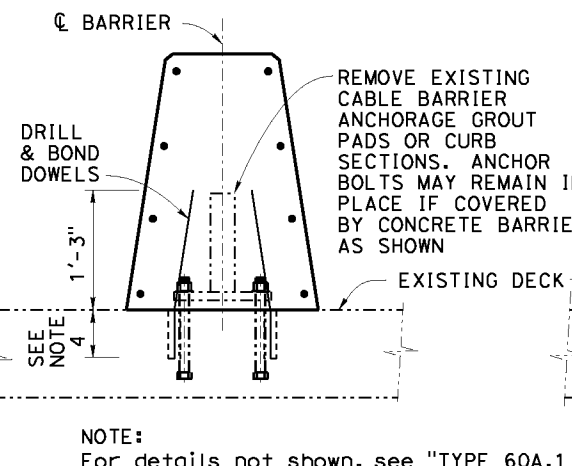


MODIFIED TYPE 60A.3 OR 60SA.3

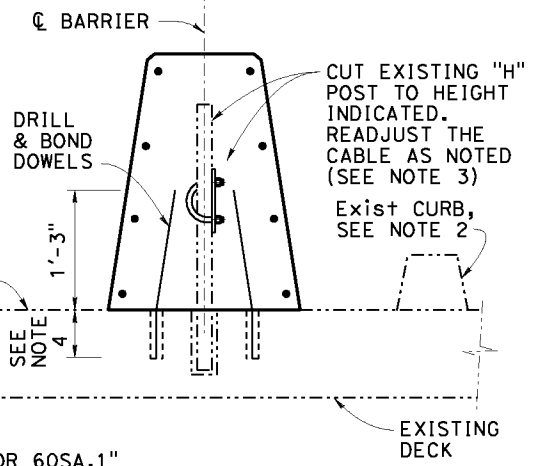
ONLY VERTICAL DIMENSION VARIES ACCORDING TO RESPECTIVE BARRIER HEIGHT. SEE NOTE 9.



EXISTING POST HOLE AT BOLTED ANCHORAGE PLATE



EXISTING POST HOLE AT BOLTED ANCHORAGE PLATE

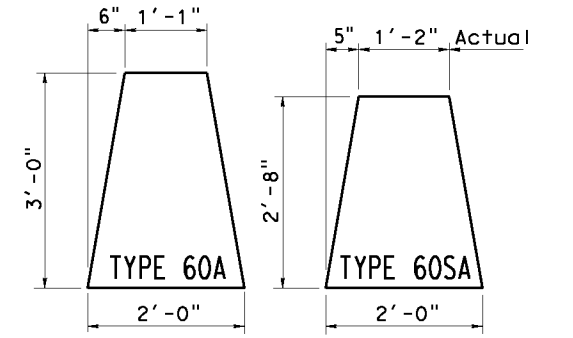


EXISTING POST HOLE AT POST HOLES

NOTE:
THE CONTRACTOR SHALL VERIFY ALL CONTROLLING FIELD DIMENSIONS BEFORE ORDERING OR FABRICATING ANY MATERIAL.

NOTE:
For details not shown, see "TYPE 60A.1 OR 60SA.1"

EXISTING POST HOLE AT BOLTED ANCHORAGE PLATE AT POST HOLES



LEGEND:
- - - - - Indicates existing structure
— — — — — Indicates new structure

SCALE: 1" = 1'-0" except as noted

STANDARD DRAWING		STATE OF CALIFORNIA		DIVISION OF ENGINEERING SERVICES		BRIDGE NO. X		X	
FILE NO. xs16-100	APPROVAL DATE <u>July 2011</u>	DEPARTMENT OF TRANSPORTATION		CONCRETE BARRIER TYPE 60A & TYPE 60SA MOD		POST MILE X		CONTRACT NO.: X	
DS OSD 2147A (ENGLISH STANDARD DRAWING "XS" BORDER REV. [02-02-11])		ORIGINAL SCALE IN INCHES FOR REDUCED PLANS		UNIT: X PROJECT NUMBER & PHASE: X		CONTRACT NO.: X		DISREGARD PRINTS BEARING EARLIER REVISION DATES	