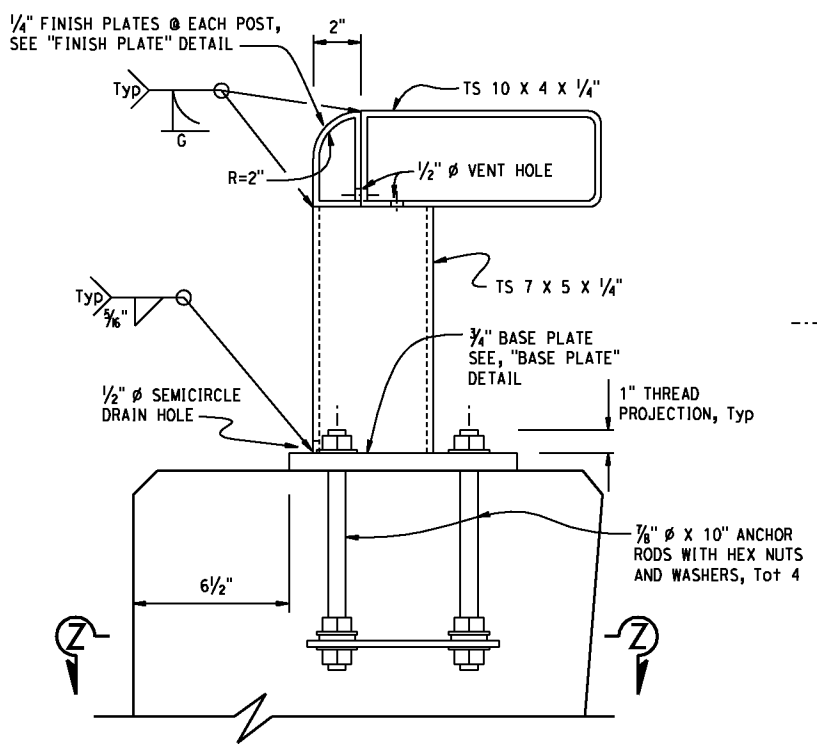


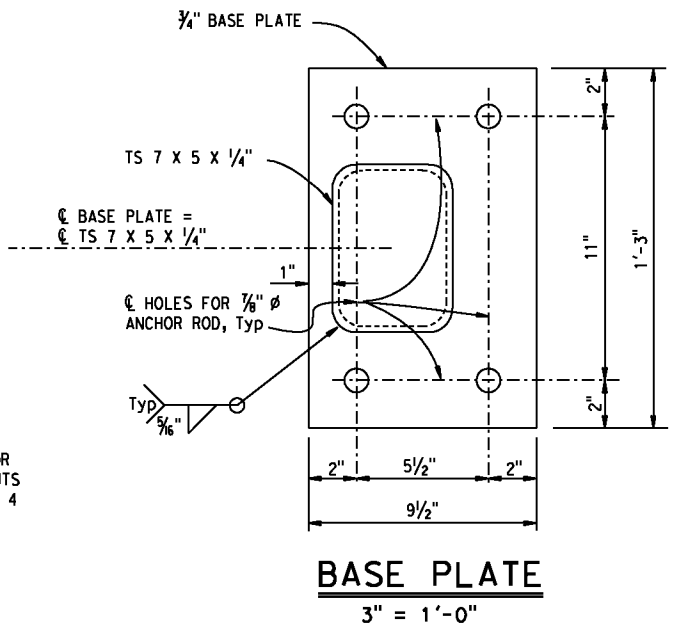
DIST	COUNTY	ROUTE	POST MILES TOTAL PROJECT	SHEET No.	TOTAL SHEETS
X	X	X	X	X	X

REGISTERED CIVIL ENGINEER	X	DATE	
PLANS APPROVAL DATE			

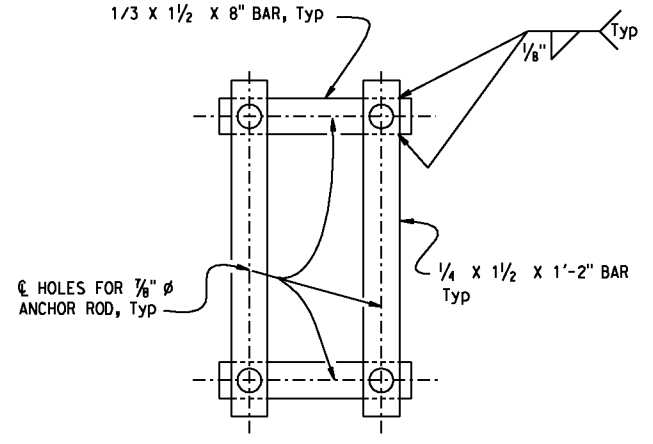
The State of California or its officers or agents shall not be responsible for the accuracy or completeness of electronic copies of this plan sheet.



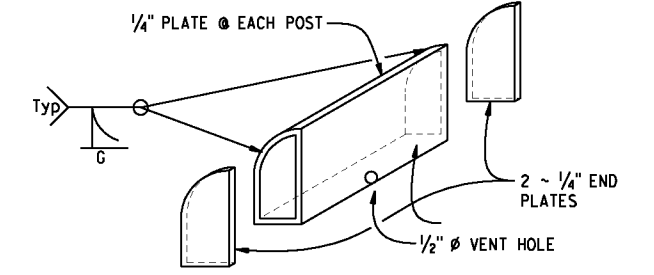
RAIL DETAIL
3" = 1'-0"



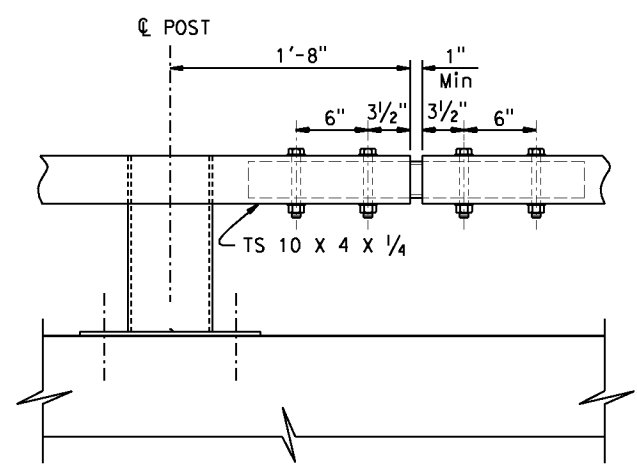
BASE PLATE
3" = 1'-0"



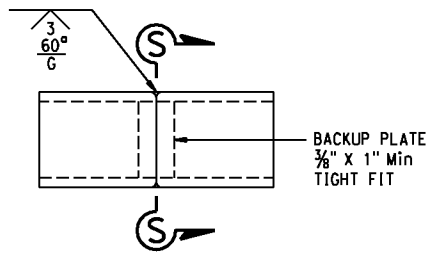
SECTION Z-Z
3" = 1'-0"



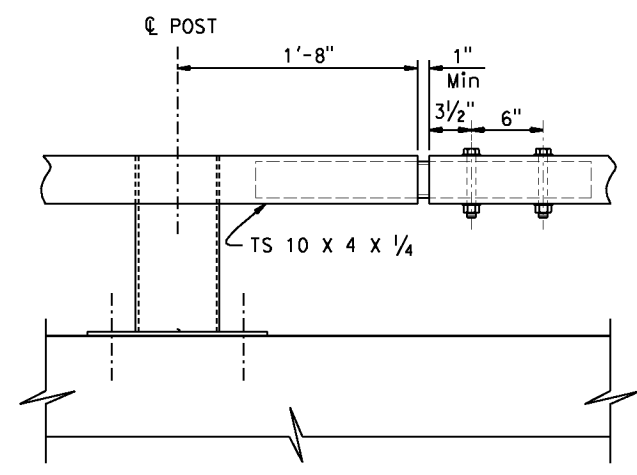
FINISH PLATE
3" = 1'-0"



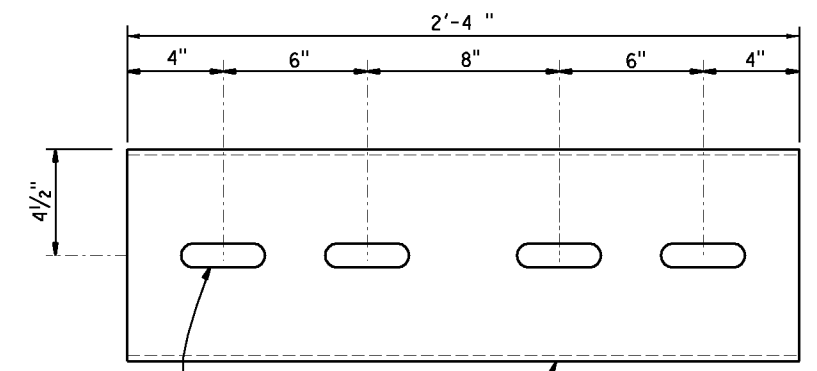
STANDARD SPLICE
1 1/2" = 1'-0"



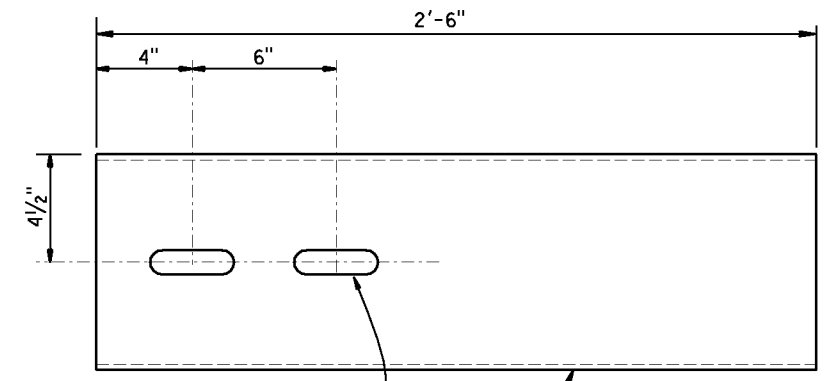
SECTION S-S
ALTERNATE TUBE WELDED SPLICE
3" = 1'-0"



DEFLECTION OR EXPANSION SPLICE
1 1/2" = 1'-0"
* MATCH DECK OR WALL JOINT



STANDARD SLEEVE DETAIL
3" = 1'-0"
(FOR TS 10 X 4 X 1/4 RAIL)



EXPANSION SLEEVE DETAIL
3" = 1'-0"
(FOR TS 10 X 4 X 1/4 RAIL)

NOTES:
HS bolts with washers, wrench tightened
Use 3/4 inch diameter x 5/4 inch (TS 10 X 4 X 1/4)

STANDARD DRAWING	FILE NO. xs16-050-3	APPROVAL DATE <u>July 2011</u>
------------------	----------------------------	--------------------------------

BRIDGE NO. X	STATE OF CALIFORNIA DEPARTMENT OF TRANSPORTATION	DIVISION OF ENGINEERING SERVICES	CONTRACT NO.: X
POST MILE X			

X		CONCRETE BARRIER TYPE 90	
		DETAILS NO. 3	