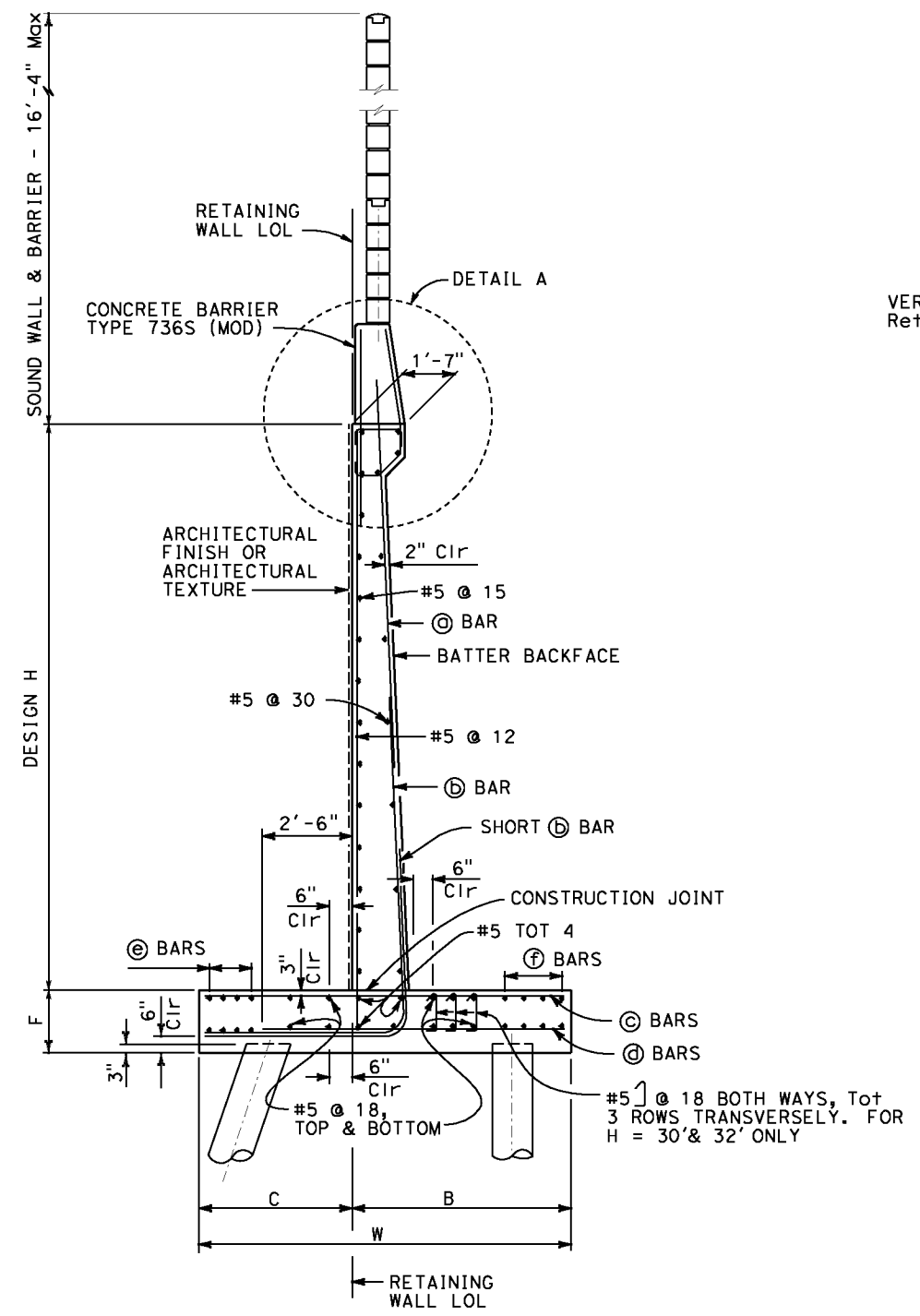


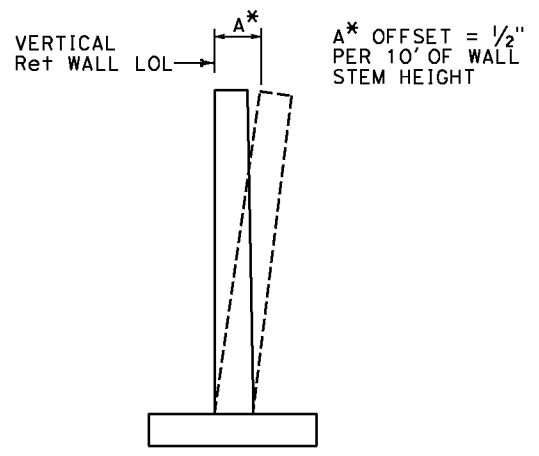
DIST	COUNTY	ROUTE	POST MILES TOTAL PROJECT	SHEET No.	TOTAL SHEETS
X	X	X	X	X	X
REGISTERED CIVIL ENGINEER			X	DATE	
PLANS APPROVAL DATE					

REGISTERED PROFESSIONAL ENGINEER
No. X
Exp. X
CIVIL
STATE OF CALIFORNIA

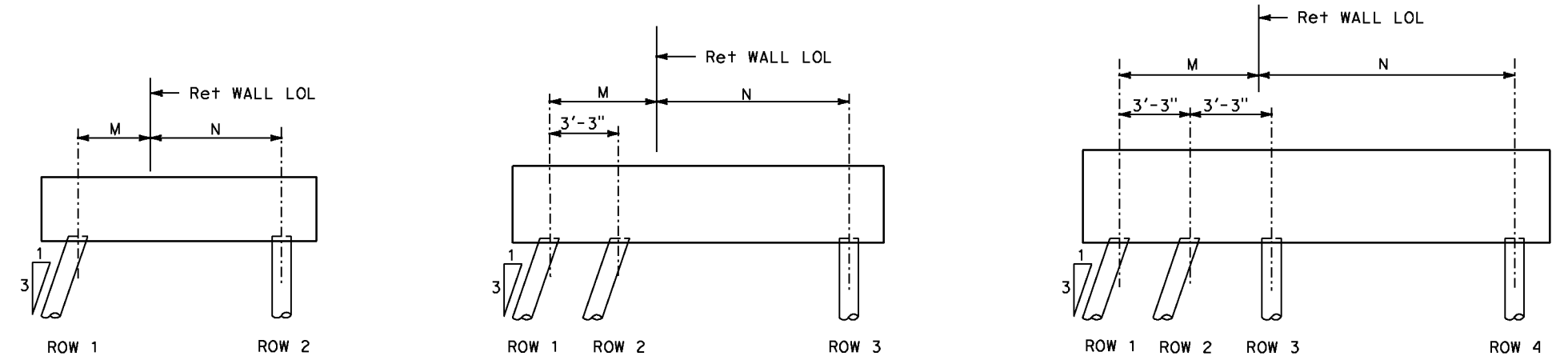
The State of California or its officers or agents shall not be responsible for the accuracy or completeness of electronic copies of this plan sheet.



PILE FOOTING SECTION
No scale
All piles not shown



WALL OFFSET
No scale
Values for offsetting forms to be determined by the engineer



H = 6' THROUGH 20'

H = 22' THROUGH 28'

H = 30' AND 32'

PILE PATTERN
No scale

STANDARD DRAWING	
FILE NO. xs14-320-2	APPROVAL DATE <u>July 2011</u>

STATE OF CALIFORNIA
DEPARTMENT OF TRANSPORTATION
DIVISION OF ENGINEERING SERVICES

BRIDGE NO. X	X
POST MILE X	
RETAINING WALL TYPE 1SWBP-DETAILS NO. 2	