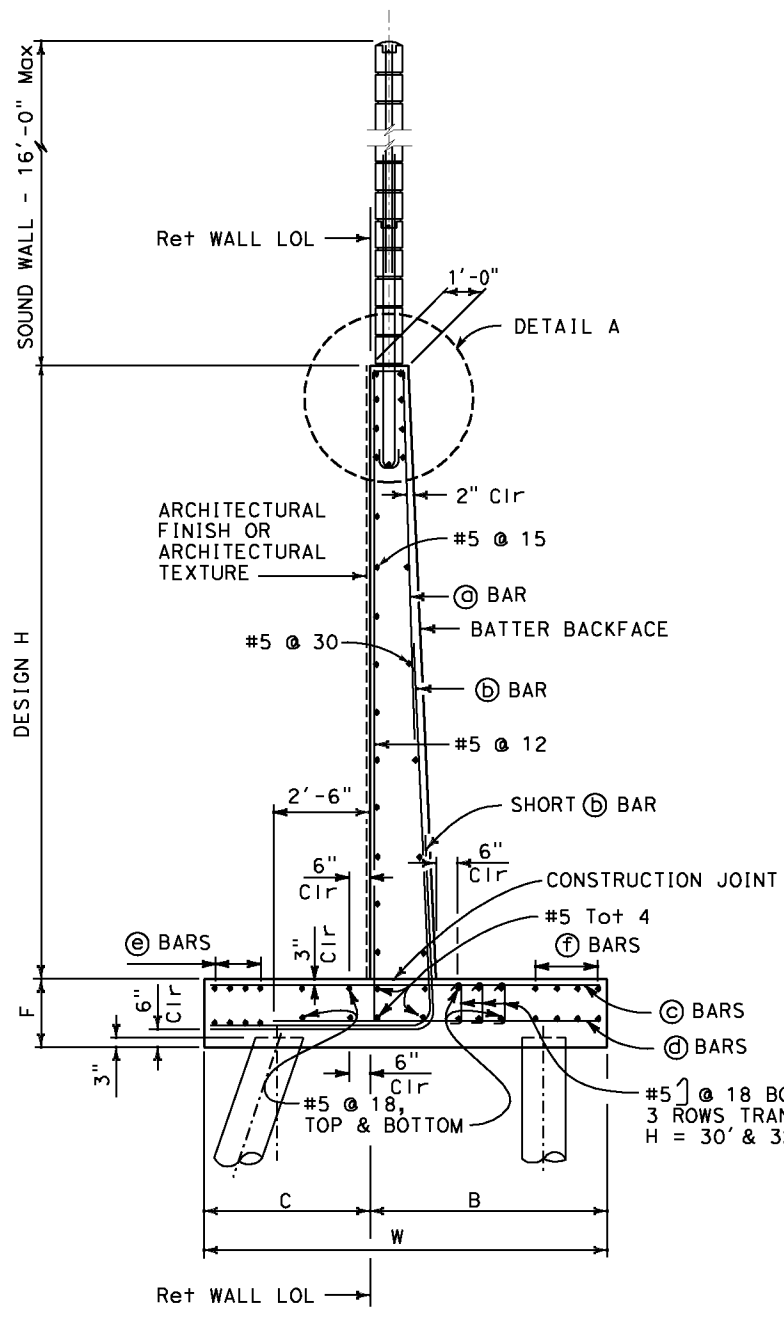


DIST	COUNTY	ROUTE	POST MILES TOTAL PROJECT	SHEET No.	TOTAL SHEETS
X	X	X	X	X	X

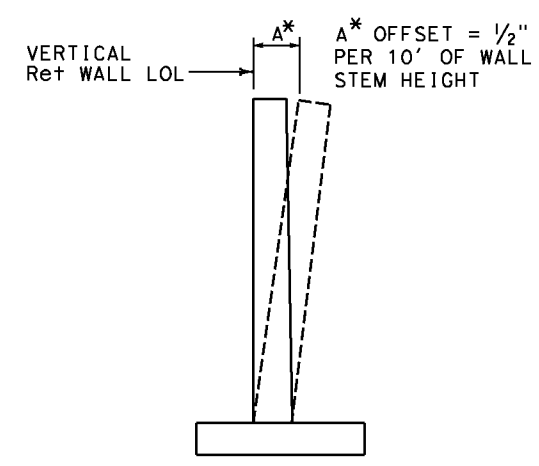
REGISTERED CIVIL ENGINEER	DATE	X
PLANS APPROVAL DATE		

REGISTERED PROFESSIONAL ENGINEER
 No. X
 Exp. X
 CIVIL
 STATE OF CALIFORNIA

The State of California or its officers or agents shall not be responsible for the accuracy or completeness of electronic copies of this plan sheet.

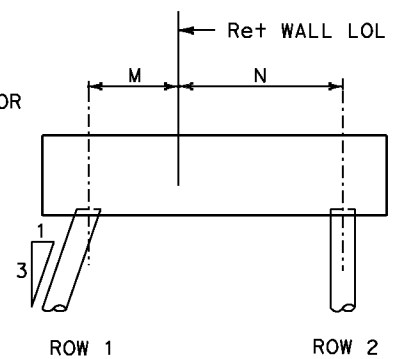


PILE FOOTING SECTION
 No scale
 All piles not shown

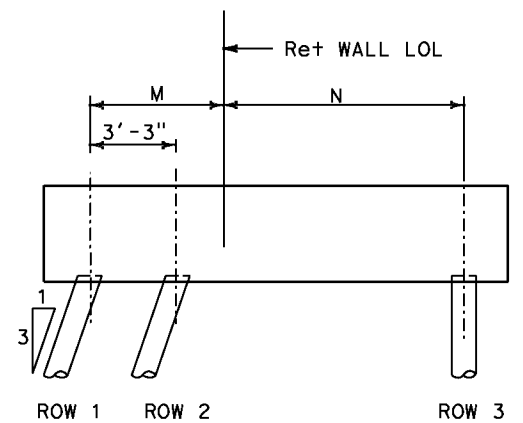


WALL OFFSET
 No scale

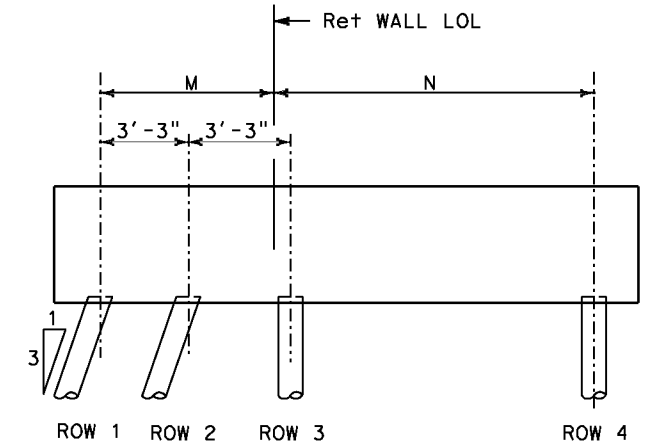
Values for offsetting forms to be determined by the engineer



H = 6' THROUGH 20'



H = 22' THROUGH 28'



H = 30' AND 32'

PILE PATTERN
 No scale

STANDARD DRAWING	
FILE NO. xs14-310-2	APPROVAL DATE <u>July 2011</u>

STATE OF CALIFORNIA
 DEPARTMENT OF TRANSPORTATION
 DIVISION OF ENGINEERING SERVICES

BRIDGE NO. X	X
POST MILE X	
RETAINING WALL TYPE 1SWP- DETAILS NO. 2	