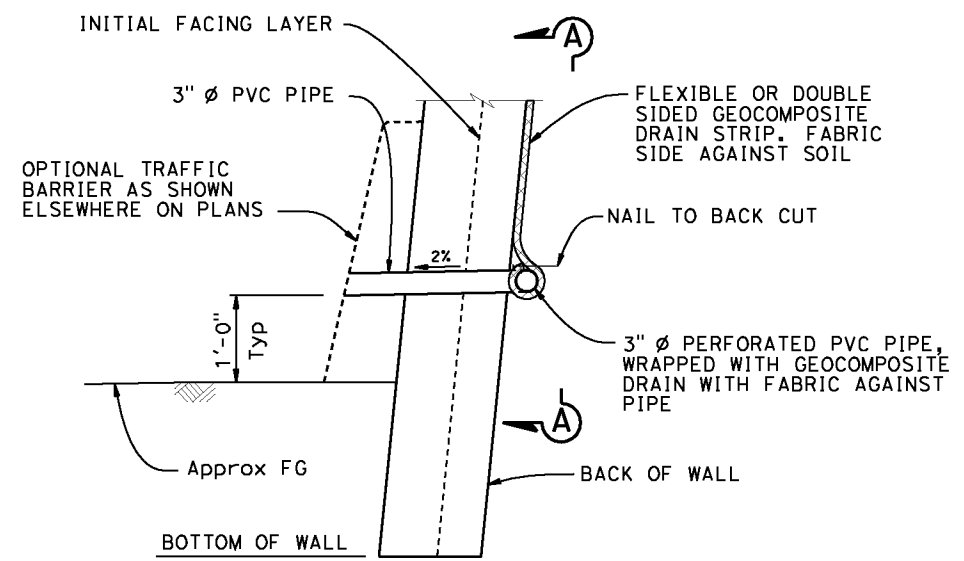
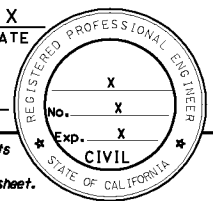
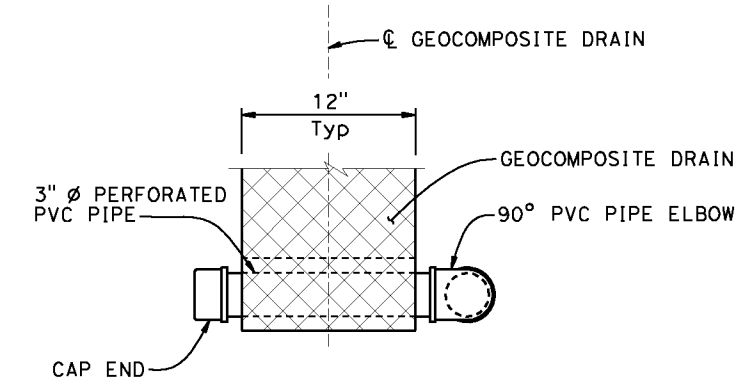


DIST	COUNTY	ROUTE	POST MILES TOTAL PROJECT	SHEET No.	TOTAL SHEETS
X	X	X	X	X	X
			X		
REGISTERED CIVIL ENGINEER			DATE		
PLANS APPROVAL DATE					
The State of California or its officers or agents shall not be responsible for the accuracy or completeness of electronic copies of this plan sheet.					

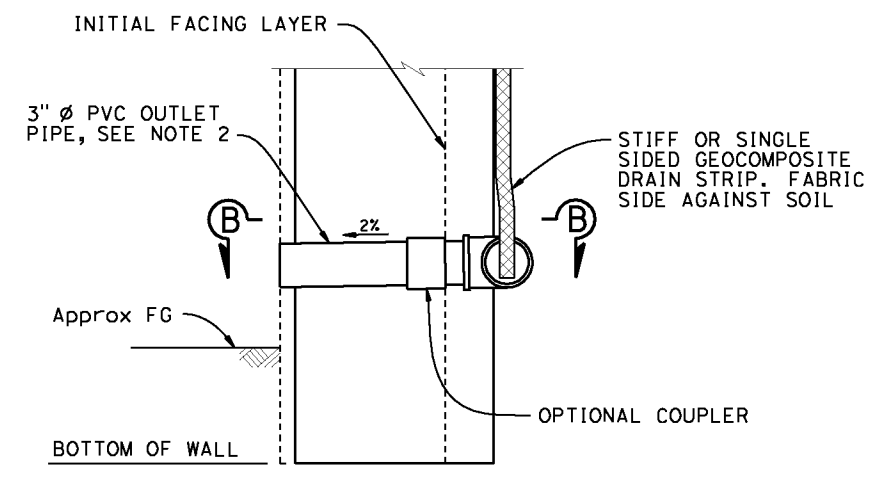


**WALL DRAIN DETAIL AT WEEPHOLE**  
**OPTION A**  
No scale

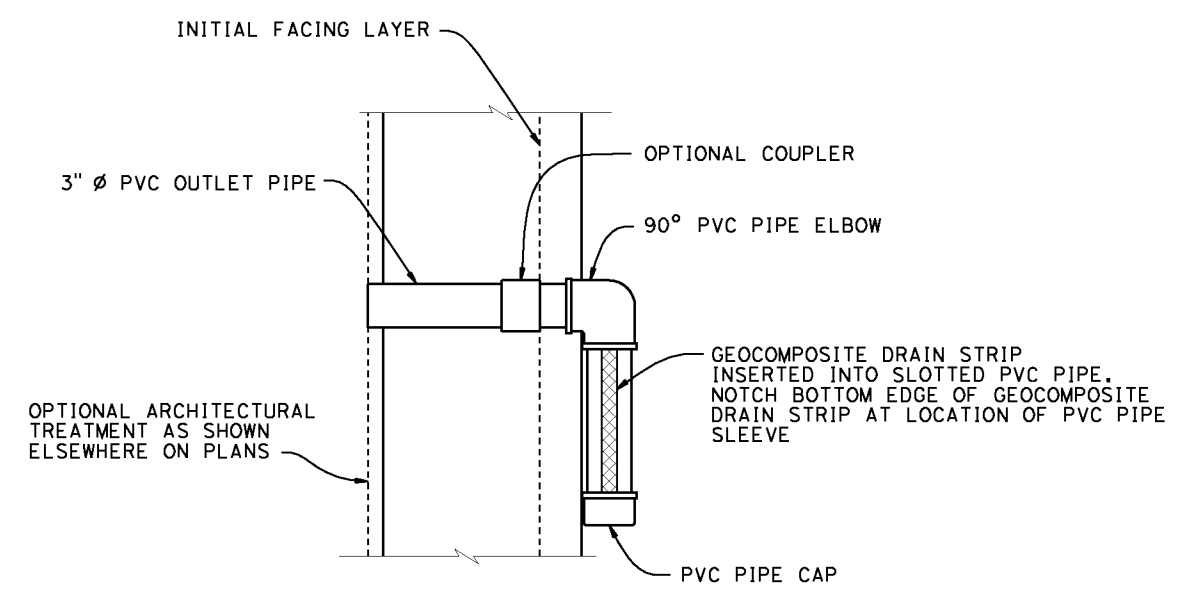


**VIEW A-A**  
No scale

- NOTES:
1. Geocomposite drain strip per Section 88 Geosynthetics of the Standard Specifications
  2. Elevation of drains and weepholes as shown elsewhere on plans



**WALL DRAIN DETAIL AT WEEPHOLE**  
**OPTION B**  
No scale



**SECTION B-B**  
No Scale

STANDARD DRAWING	
FILE NO. <b>xs12-021</b>	APPROVAL DATE <u>July 2011</u>

STATE OF CALIFORNIA  
DEPARTMENT OF TRANSPORTATION  
DIVISION OF ENGINEERING SERVICES

BRIDGE NO. X	X
POST MILE X	
<b>WALL DRAIN DETAILS</b>	

DATE PLOTTED => \$DATE USERNAME => \$USER TIME PLOTTED => \$TIME