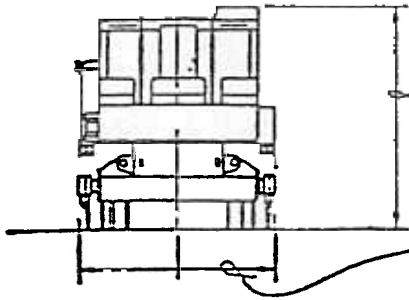


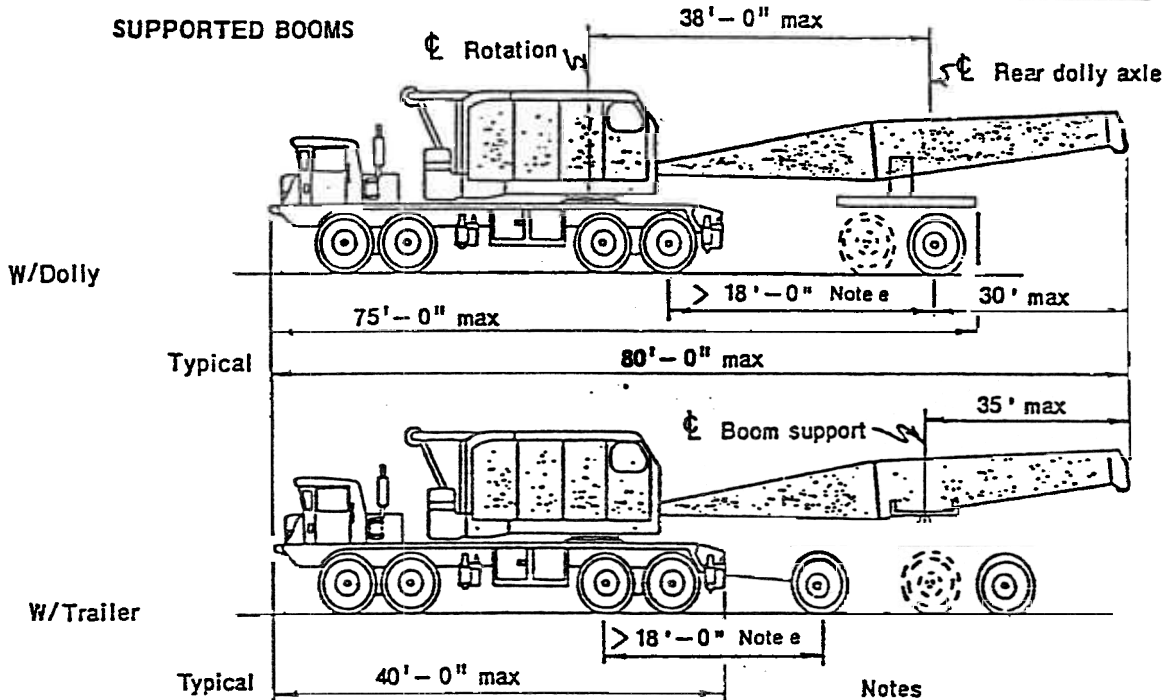
## APPENDIX 7 CRANE PROFILE SHEET



14'-0" max for annual permit

Annual Permit 11'-0" max body, (hard metal) 11'-4" @ tire bulge  
Single Trip Permit 13'-0" max body, (hard metal) 13'-4" @ tire bulge

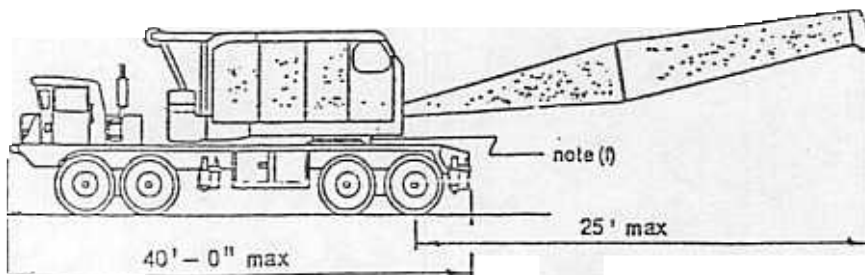
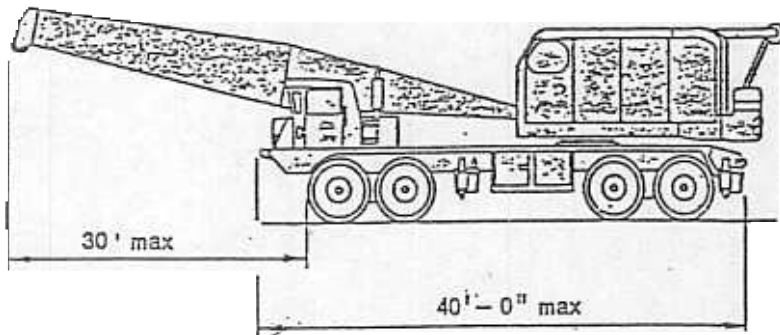
### SUPPORTED BOOMS



#### Notes

- a) Trailer or dolly cannot exceed legal dimensions.
- b) Allowable weight on trailer or dolly cannot exceed CVC Section 35551.5.
- c) Boom length is 56'-0" max. measured from ctr rotation to last hard metal.
- d) 6 - axle carriers may be permitted to 50'-0" veh. length by single trip permit only.
- e) the distance first to last axle of any 3 - axle group combining the carrier and the dolly or trailer, must exceed 18 feet.
- f) Point of last support for determining overhang.

### UNSUPPORTED BOOMS



#1 4/86

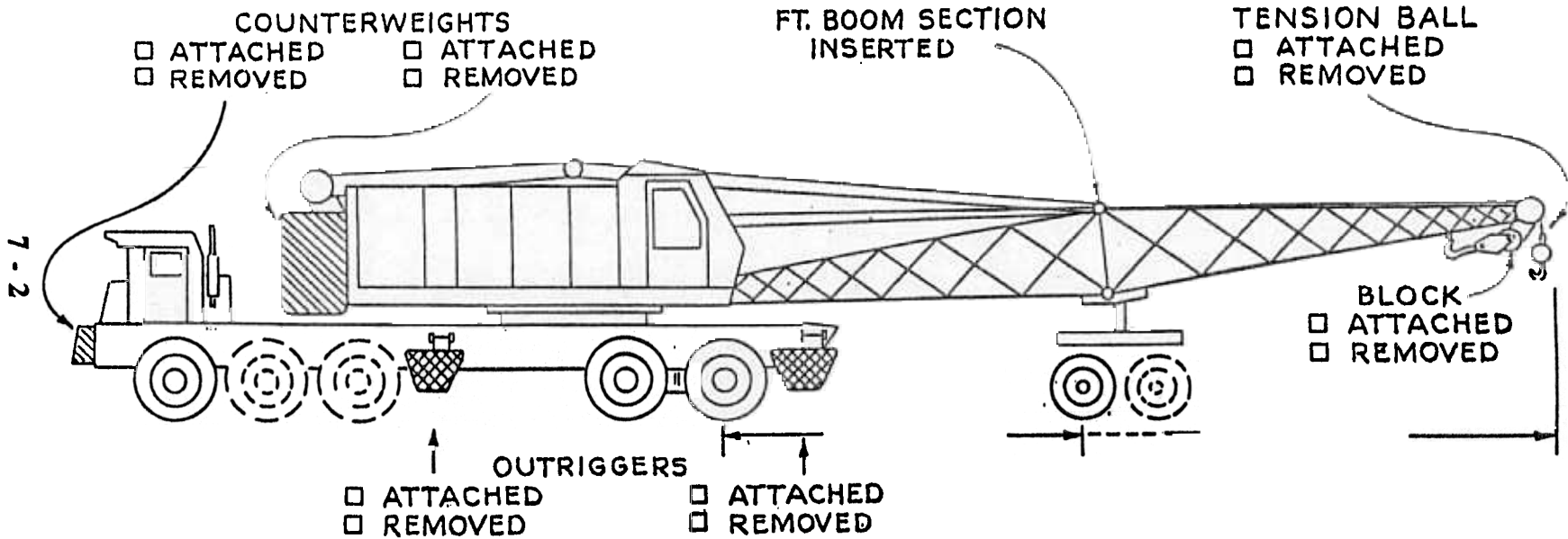
# TRUCK CRANE PROFILE SHEET

DATE \_\_\_\_\_

ATTACHMENT TO PERMIT N° \_\_\_\_\_  
COMPANY NAME \_\_\_\_\_

MAKE AND MODEL \_\_\_\_\_  
COMPANY N° \_\_\_\_\_  
LICENSE N° \_\_\_\_\_

THIS DRAWING IS A GENERAL CONFIGURATION ONLY



APPENDIX 7  
CRANE PROFILE SHEET

WHEN THE ABOVE CONFIGURATION AND DIMENSIONS ARE ADHERED TO THIS VEHICLE SHOULD NOT EXCEED PERMITTED WEIGHTS

MAXIMUM FUEL ALLOWED  
 UPPERWORKS \_\_\_\_\_  
 CARRIER \_\_\_\_\_

EQUIPMENT CARRIED ON CARRIER \_\_\_\_\_

EQUIPMENT CARRIED ON DOLLY \_\_\_\_\_

#2 4/86

# TRUCK CRANE PROFILE SHEET

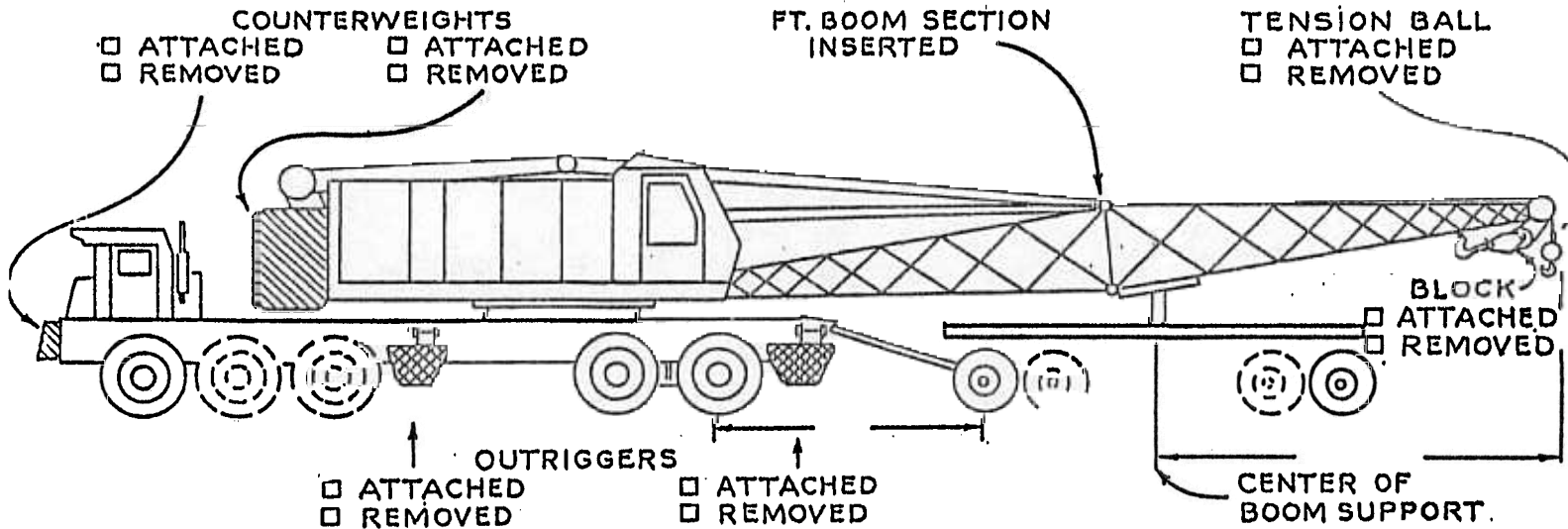
DATE \_\_\_\_\_

ATTACHMENT TO PERMIT N° \_\_\_\_\_  
COMPANY NAME \_\_\_\_\_

MAKE AND MODEL \_\_\_\_\_  
COMPANY N° \_\_\_\_\_  
LICENSE N° \_\_\_\_\_

THIS DRAWING IS A GENERAL CONFIGURATION ONLY.

7-3



WHEN THE ABOVE CONFIGURATION AND DIMENSIONS ARE ADHERED TO THIS VEHICLE SHOULD NOT EXCEED PERMITTED WEIGHTS

MAXIMUM FUEL ALLOWED  
UPPERWORKS \_\_\_\_\_  
CARRIER \_\_\_\_\_

EQUIPMENT CARRIED ON CARRIER \_\_\_\_\_

EQUIPMENT CARRIED ON TRAILER \_\_\_\_\_

APPENDIX 7  
CRANE PROFILE SHEET

# 3 8/86

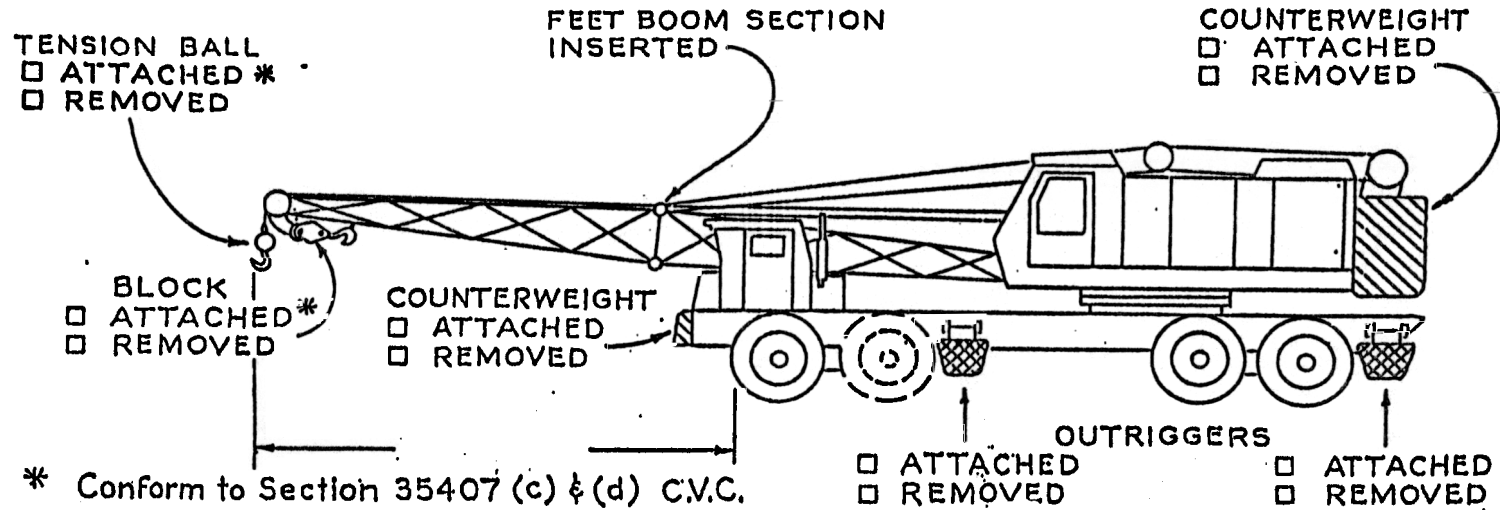
# TRUCK CRANE PROFILE SHEET

DATE \_\_\_\_\_

ATTACHMENT TO PERMIT N° \_\_\_\_\_  
COMPANY NAME \_\_\_\_\_

MAKE AND MODEL \_\_\_\_\_  
COMPANY N° \_\_\_\_\_  
LICENSE N° \_\_\_\_\_

THIS DRAWING IS A GENERAL CONFIGURATION ONLY



7-4

APPENDIX 7  
CRANE PROFILE SHEET

WHEN THE ABOVE CONFIGURATION AND DIMENSIONS ARE ADHERED TO THIS VEHICLE SHOULD NOT EXCEED PERMITTED WEIGHTS.

MAXIMUM FUEL ALLOWED.  
UPPERWORKS \_\_\_\_\_  
CARRIER \_\_\_\_\_

EQUIPMENT CARRIED ON CARRIER \_\_\_\_\_  
\_\_\_\_\_  
\_\_\_\_\_



#4 4/86

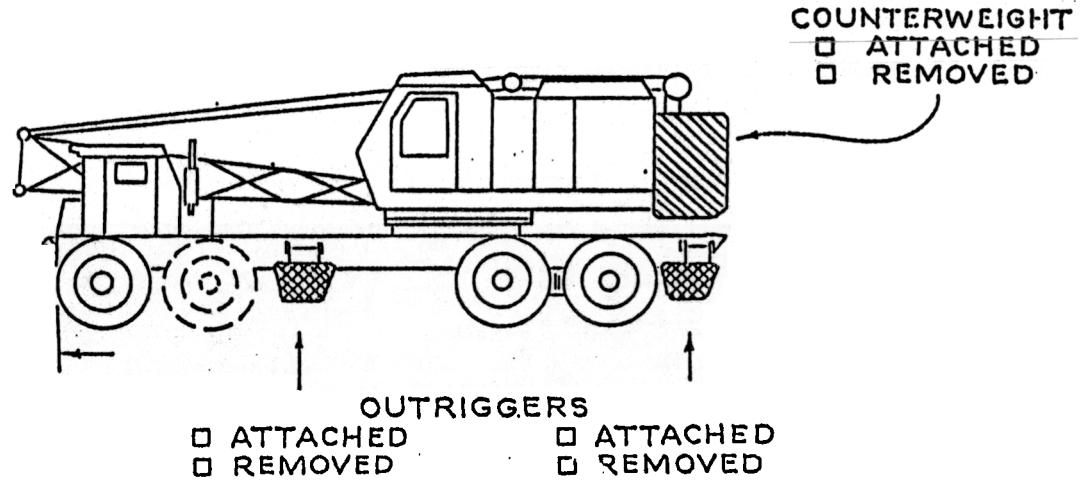
# TRUCK CRANE PROFILE SHEET

DATE \_\_\_\_\_

ATTACHMENT TO PERMIT N° \_\_\_\_\_  
COMPANY NAME \_\_\_\_\_

MAKE AND MODEL \_\_\_\_\_  
COMPANY N° \_\_\_\_\_  
LICENSE N° \_\_\_\_\_

THIS DRAWING IS A GENERAL CONFIGURATION ONLY.



APPENDIX 7  
CRANE PROFILE SHEET

7-5

WHEN THE ABOVE CONFIGURATION AND DIMENSIONS ARE ADHERED TO THIS VEHICLE SHOULD NOT EXCEED PERMITTED WEIGHTS

MAXIMUM FUEL ALLOWED  
UPPERWORKS \_\_\_\_\_  
CARRIER \_\_\_\_\_

EQUIPMENT CARRIED ON CARRIER \_\_\_\_\_  
\_\_\_\_\_  
\_\_\_\_\_

# 5 4/86

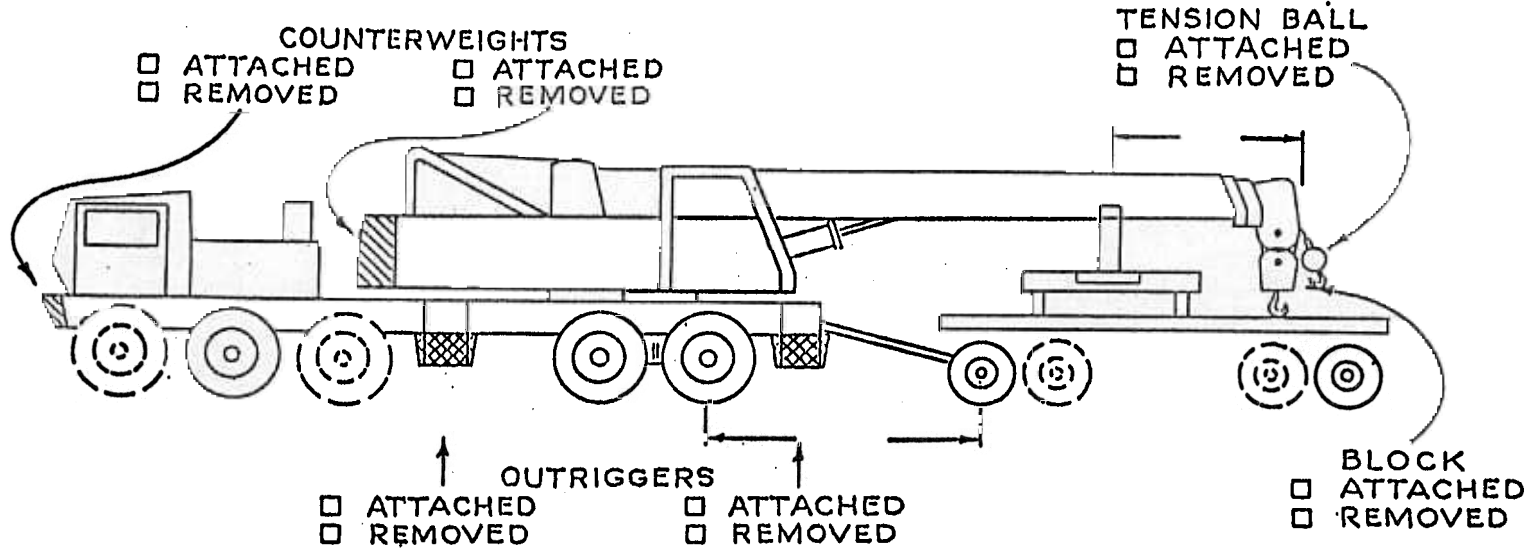
# TRUCK CRANE PROFILE SHEET

DATE \_\_\_\_\_

ATTACHMENT TO PERMIT N° \_\_\_\_\_  
COMPANY NAME \_\_\_\_\_

MAKE AND MODEL \_\_\_\_\_  
COMPANY N° \_\_\_\_\_  
LICENSE N° \_\_\_\_\_

THIS DRAWING IS A GENERAL CONFIGURATION ONLY



7-6

APPENDIX 7  
CRANE PROFILE SHEET

WHEN THE ABOVE CONFIGURATION AND DIMENSIONS ARE ADHERED TO THIS VEHICLE SHOULD NOT EXCEED PERMITTED WEIGHTS

MAXIMUM FUEL ALLOWED  
UPPERWORKS \_\_\_\_\_  
CARRIER \_\_\_\_\_

EQUIPMENT CARRIED ON CARRIER \_\_\_\_\_

EQUIPMENT CARRIED ON TRAILER \_\_\_\_\_

# 6 4/86

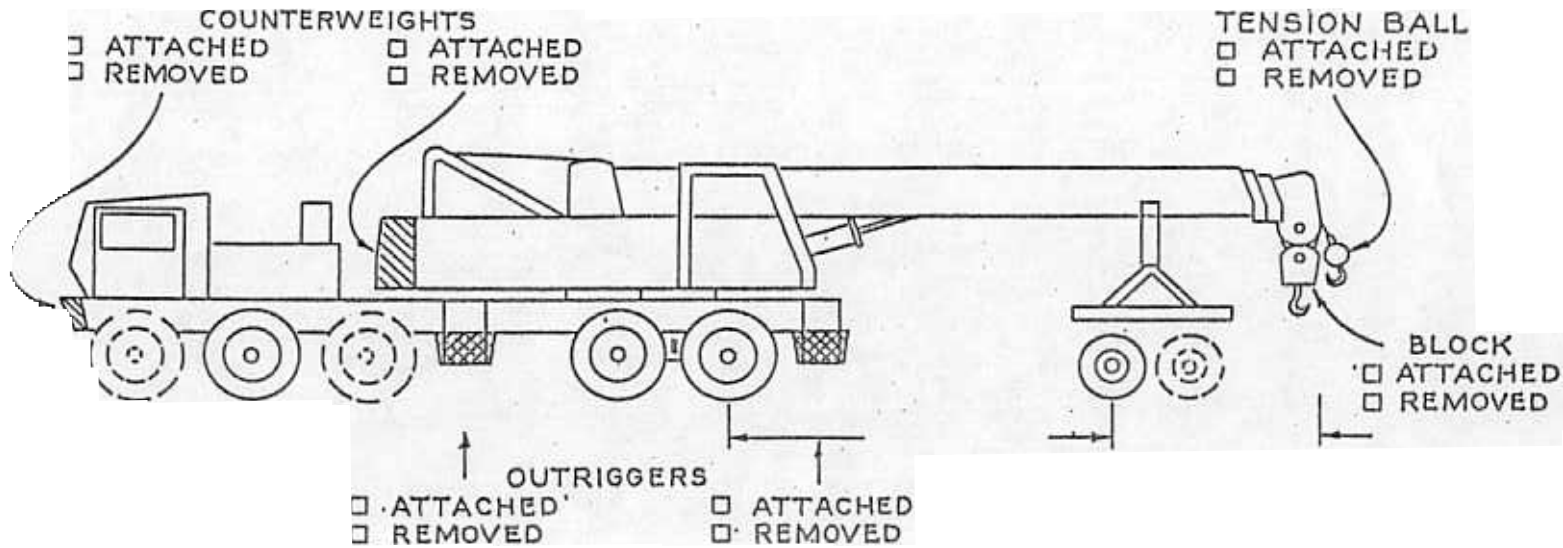
# TRUCK CRANE PROFILE SHEET

DATE \_\_\_\_\_

ATTACHMENT TO PERMIT N° \_\_\_\_\_  
COMPANY NAME \_\_\_\_\_

MAKE AND MODEL \_\_\_\_\_  
COMPANY N° \_\_\_\_\_  
LICENSE N° \_\_\_\_\_

THIS DRAWING IS A GENERAL CONFIGURATION ONLY



7-7

APPENDIX 7  
CRANE PROFILE SHEET

WHEN THE ABOVE CONFIGURATION AND DIMENSIONS ARE ADHERED TO THIS VEHICLE SHOULD NOT EXCEED PERMITTED WEIGHTS

MAXIMUM FUEL ALLOWED  
UPPERWORKS \_\_\_\_\_  
CARRIER \_\_\_\_\_

EQUIPMENT CARRIED ON CARRIER \_\_\_\_\_

EQUIPMENT CARRIED ON DOLLY \_\_\_\_\_

# 7 8/86

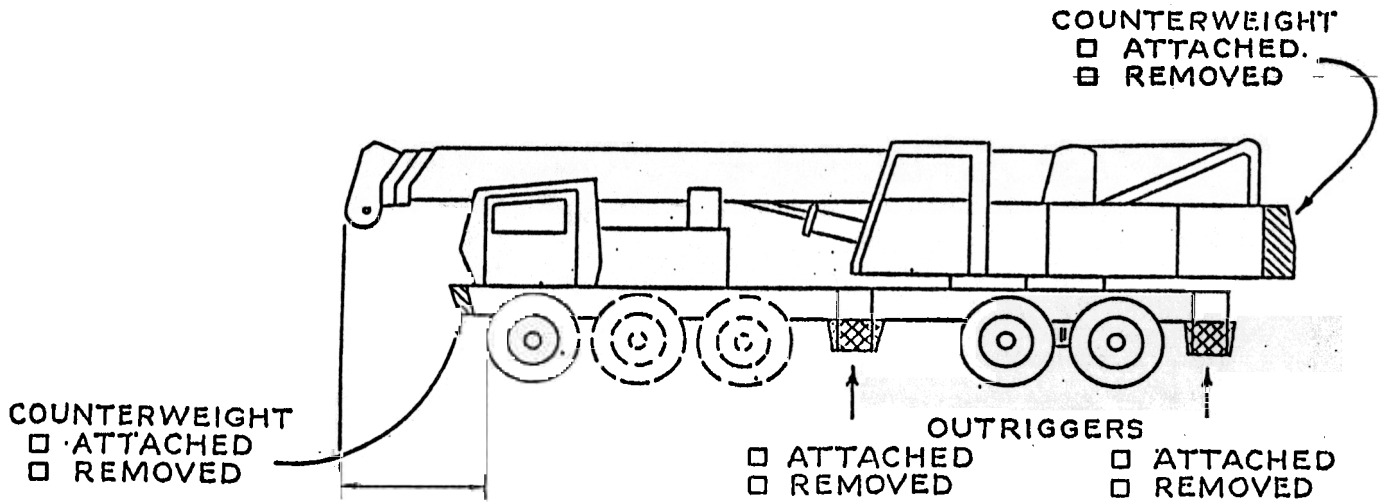
# TRUCK CRANE PROFILE SHEET

DATE \_\_\_\_\_

ATTACHMENT TO PERMIT N° \_\_\_\_\_  
COMPANY NAME \_\_\_\_\_

MAKE AND MODEL \_\_\_\_\_  
COMPANY N° \_\_\_\_\_  
LICENSE N° \_\_\_\_\_

THIS DRAWING IS A GENERAL CONFIGURATION ONLY



WHEN THE ABOVE CONFIGURATION AND DIMENSIONS ARE ADHERED TO THIS VEHICLE SHOULD NOT EXCEED PERMITTED WEIGHTS

MAXIMUM FUEL ALLOWED \_\_\_\_\_  
UPPERWORKS \_\_\_\_\_  
CARRIER \_\_\_\_\_

EQUIPMENT CARRIED ON CARRIER \_\_\_\_\_  
\_\_\_\_\_  
\_\_\_\_\_

7 - 8

APPENDIX 7  
CRANE PROFILE SHEET



# 8 4/86

# TRUCK CRANE PROFILE SHEET

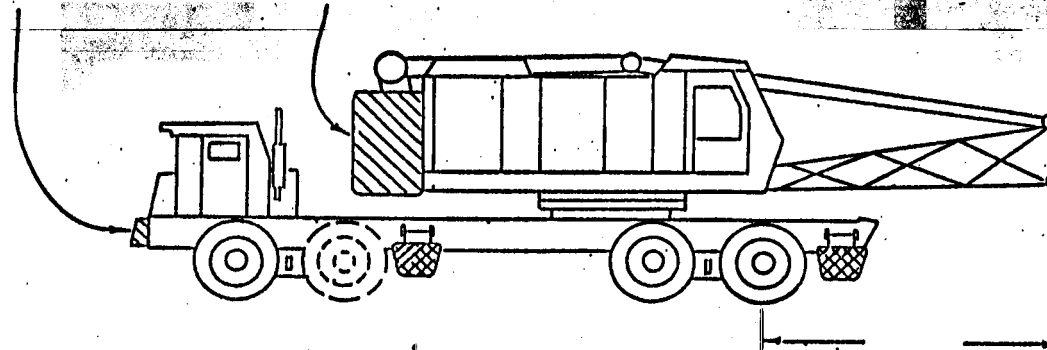
DATE \_\_\_\_\_

ATTACHMENT TO PERMIT N° \_\_\_\_\_  
COMPANY NAME \_\_\_\_\_

MAKE AND MODEL \_\_\_\_\_  
COMPANY N° \_\_\_\_\_  
LICENSE N° \_\_\_\_\_

THIS DRAWING IS A GENERAL CONFIGURATION ONLY

COUNTERWEIGHTS  
 ATTACHED       ATTACHED  
 REMOVED       REMOVED



OUTRIGGERS  
 ATTACHED       ATTACHED  
 REMOVED       REMOVED

WHEN THE ABOVE CONFIGURATION AND DIMENSIONS ARE ADHERED TO THIS VEHICLE SHOULD NOT EXCEED PERMITTED WEIGHTS

MAXIMUM FUEL ALLOWED  
UPPERWORKS \_\_\_\_\_  
CARRIER \_\_\_\_\_

EQUIPMENT CARRIED ON CARRIER \_\_\_\_\_  
\_\_\_\_\_  
\_\_\_\_\_

7-9

APPENDIX 7  
CRANE PROFILE SHEET

# 9 4/86

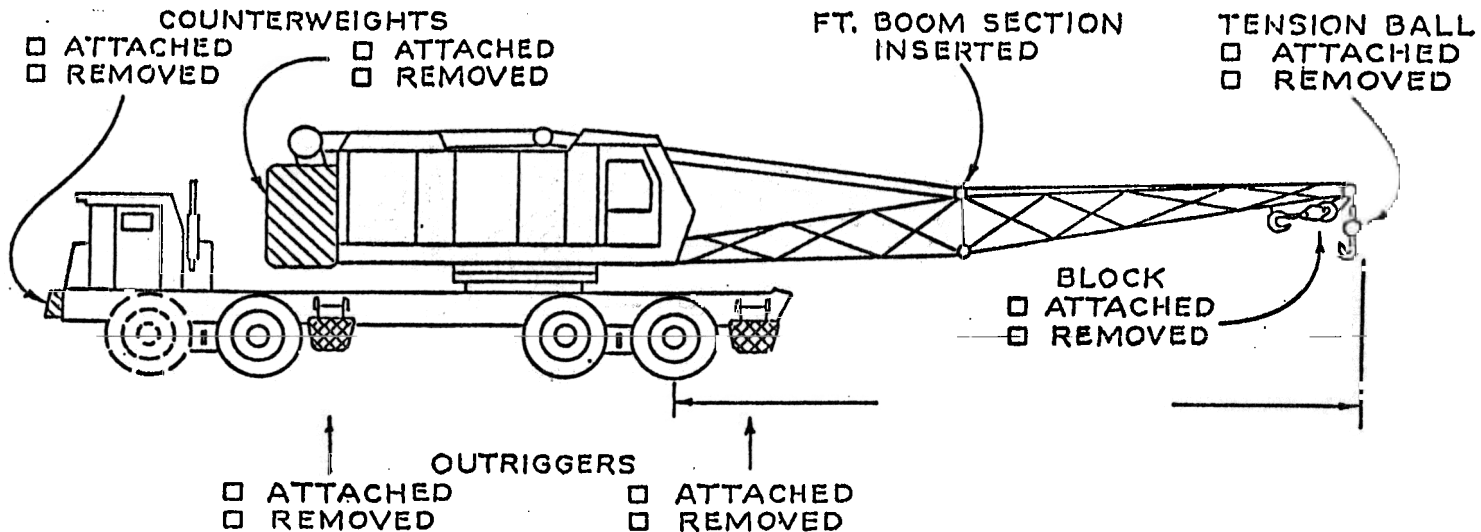
# TRUCK CRANE PROFILE SHEET

DATE \_\_\_\_\_

ATTACHMENT TO PERMIT N° \_\_\_\_\_  
COMPANY NAME \_\_\_\_\_

MAKE AND MODEL \_\_\_\_\_  
COMPANY N° \_\_\_\_\_  
LICENSE N° \_\_\_\_\_

THIS DRAWING IS A GENERAL CONFIGURATION ONLY



7 - 10

APPENDIX 7  
CRANE PROFILE SHEET

WHEN THE ABOVE CONFIGURATION AND DIMENSIONS ARE ADHERED TO THIS VEHICLE SHOULD NOT EXCEED PERMITTED WEIGHTS

MAXIMUM FUEL ALLOWED  
UPPERWORKS \_\_\_\_\_  
CARRIER \_\_\_\_\_

EQUIPMENT CARRIED ON CARRIER \_\_\_\_\_  
\_\_\_\_\_  
\_\_\_\_\_