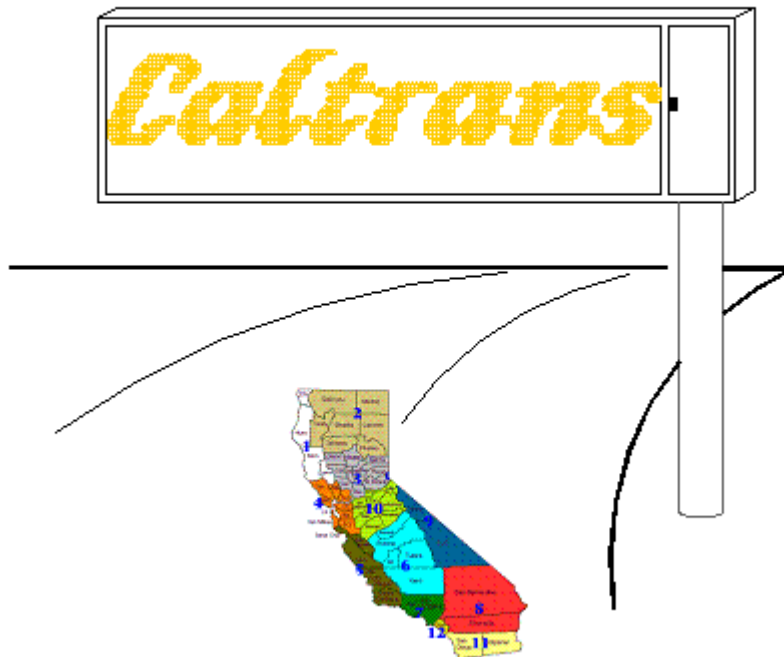




SPECIFICATIONS FOR CHANGEABLE MESSAGE SIGN SYSTEM

TEES CHAPTER 8



November 5, 2020

**STATE OF CALIFORNIA
DEPARTMENT OF TRANSPORTATION**



Gavin Newsom
Governor

David S. Kim
Secretary
California State Transportation Agency

Toks Omishakin
Director
Department of Transportation

Cory Binns
Deputy Director
Maintenance and Operations

Jasvinderjit S. Bhullar
Program Manager
Traffic Operations

Stan Slavin
Chief, Office of Systems Development

Herasmo Iñiguez
Branch Chief, Traffic Control Systems

TABLE OF CONTENTS

CHAPTER 8	1
CHANGEABLE MESSAGE SPECIFICATIONS	1
CHAPTER 8-SECTION A	2
GLOSSARY	2
CHAPTER 8-SECTION 1	4
GENERAL	4
8.1.1 Model 500 and 510 CMS Configuration	4
8.1.2 Model 520 CMS Configuration	4
8.1.3 Model 500 and 510 Control Compartment	4
8.1.4 Model 520 Control Compartment	4
8.1.5 Model 500 and 510 CMS Service Power	4
8.1.6 Model 520 CMS Service Power	4
8.1.7 CMS Total Weight	4
8.1.8 CMS Serial Numbers	4
8.1.9 CMS Items Supplied	5
8.1.10 CMS Harness	5
8.1.11 Spare Parts	6
CHAPTER 8-SECTION 2	8
PIXEL MATRIX MODULE	8
8.2.1 General	8
8.2.2 Formed Plastic Cover	8
8.2.3 Pixels	8
8.2.4 Module Panel	10
CHAPTER 8-SECTION 3	11
SIGN STRUCTURE AND HOUSING	11
8.3.1 Housing Requirements	11
8.3.2 Surface Treatment	13
8.3.3 Anodizing	14
8.3.4 Painting	14
8.3.5 Ventilation	15
CHAPTER 8-SECTION 4	17
CONTROL COMPARTMENT	17

8.4.1	General	17
8.4.2	19-Inch EIA Racks.....	17
8.4.3	CMS Interface Panel (CIP)	18
8.4.4	Controller Interface.....	19
8.4.5	Power Distribution Assembly No. 4L (PDA #4L).....	19
8.4.6	CMS Isolation Module (CIM)	19
8.4.7	Pixel Driver Assembly (PxDA).....	20
8.4.8	Pixel Driver Module (PxDM).....	20
CHAPTER 8-SECTION 5		22
MODEL 500, 510 AND 520 CMS SYSTEM INTERCONNECTION		22
8.5.1	General	22
8.5.2	CMS Control Isolation Assembly (CIA).....	22
CHAPTER 8-SECTION 6		24
CONTROLLER CABINET		24
8.6.1	334LC Cabinet.....	24
8.6.2	Light Level Control System.....	24
CHAPTER 8-SECTION 7		26
GENERAL DETAILS		26
8.7.1	CMS System Block Diagram	26
8.7.2	CMS System AC Wiring Diagram.....	26
8.7.3	Pixel Driver Module Circuit Block Diagram	26
8.7.4	Pixel Driver Assembly, Front View	26
8.7.5	Pixel Driver Assembly, Rear View	26
8.7.6	Pixel Driver Module.....	26
8.7.7	Controller Isolation Assembly.....	26
8.7.8	Model 334LC Cabinet, Input File #3 -- Upper Part	26
8.7.9	Model 334LC Cabinet, Input File #3 -- Lower Part.....	26
8.7.10	CMS Interface Panel	26
8.7.11	CMS Interface Panel Terminal Block	26
8.7.12	PDA #4L	26
8.7.13	CMS Isolation Module	26
8.7.14	Address and Pixel BIT Configuration.....	26
8.7.15	CMS Device Address Assignment.....	26
8.7.16	CMS Timing Diagram.....	26
8.7.17	CMS Connector Details.....	26
8.7.18	Harness #1 Wiring Diagram.....	26
8.7.19	Harness #2 Wiring Diagram.....	26
8.7.20	Harness #3 Wiring Diagram.....	26
8.7.21	CMS Harness #4 and #5 Wiring Lists.....	26

8.7.22	CMS Harness #4 and #5 Color Code Wiring Lists	26
8.7.23	CMS Harness #5 and TB1 Wiring Lists.....	26
8.7.24	Model 334LC C1 Harness #2.....	26
8.7.25	PDA #4L CIM and CFP Connector Assignments.....	26
8.7.26	PDA #4L CMS CE (A to E) and Terminal Block Connector Assignments.....	26
8.7.27	Pixel Driver Module Connector Assignments.....	26
8.7.28	Controller Isolation Assembly Connector PIN Assignments for C8P and C9P Connectors	27
8.7.29	Direct Mode DB9 Communications Cable	27
8.7.30	Modem DB9 Communications Cable	27
8.7.31	Direct Mode DB-25 Communications Cable	27
8.7.32	Modem DB-25 Communications Cable.....	27
8.7.33	GDI Modem DB9 Communications Cable	27
CHAPTER 8-SECTION 8		28
MODEL 500 CMS DETAILS		28
8.8.1	Sign Housing Details, Elevation, Side Doors and End Cap	28
8.8.2	Sign Housing Details, Elevation, Rear, Plan and Z-Bar	28
8.8.3	Transformers to CIP Wiring Details.....	28
8.8.4	CMS System, LED Wiring Diagram	28
8.8.5	Pixel Matrix Module, Front View.....	28
8.8.6	Pixel Matrix Module, Rear View.....	28
8.8.7	Pixel Matrix Module, Type 1, End View.....	28
8.8.8	Pixel Matrix Module, Type 2, End View.....	28
8.8.9	CMS Control Compartment Mounting Details.....	28
8.8.10	Testing Stand, Elevation View	28
8.8.11	Testing Stand, Plan View.....	28
8.8.12	CMS Lifting Bracket.....	28
8.8.13	Shipping Pallet Dimensions.....	28
8.8.14	Palletized CMS Shipping Method	28
CHAPTER 8-SECTION 9		29
MODEL 510 CMS DETAILS		29
CHAPTER 8-SECTION 10		30
MODEL 520 CMS DETAILS		30
APPENDIX A		31
CHAPER 8 DETAILS		31
APPENDIX A7		32
GENERAL DETAILS		32

CMS System Block Diagram	33
Model 500, 510 & 520 CMS System Wiring Diagram	33
PxDm Circuit Block Diagram.....	33
Pixel Driver Assembly, Front View	33
Pixel Driver Assembly, Rear View	33
Pixel Driver Module	33
Controller Isolation Assembly.....	33
Model 334LC Cabinet, Input File #3 -- Upper Part	33
Model 334LC Cabinet, Input File #3 -- Lower Part.....	33
CMS Interface Panel	33
CMS Interface Panel Terminal Block	33
PDA #4L	33
CMS Isolation Module	33
Address and Pixel BIT Configuration.....	33
CMS Device Address Assignment	33
CMS Timing Diagram	33
CMS Connector Details	33
Harness #1 Wiring Diagram.....	33
Harness #2 Wiring Diagram.....	33
Harness #3 Wiring Diagram.....	33
Harness #4 and #5 Wiring Lists	33
Harness #4 and #5 Color Code Wiring Lists.....	33
Harness #5 and TB1 Wiring Lists	33
Model 334LC C1 Harness #2.....	33
PDA #4L CIM and CFP Connector Assignments.....	33
PDA #4L CMS CE (A to E) and Terminal Block.....	33
Connector Assignment	33
Pixel Driver Module Connector Assignments.....	33
Controller Isolation Assembly Connector PIN	34
Assignment for C8P and C9P Connectors	34
Direct Mode DB9 Communications Cable	34
Modem DB9 Communications Cable	34
Direct Mode DB-25 Communications Cable	34
Modem DB-25 Communications Cable.....	34
GDI Modem DB9 Communications Cable	34

APPENDIX A8 **68**

MODEL 500 CMS DETAILS **68**

Sign Housing Details, Elevation, Side Doors and End Cap.....	69
Sign Housing Details, Elevation, Rear and Z-Bar.....	69
Model 500/510 CMS System Txfrm to CIP Wiring Detail, Option 1.....	69
Model 500/510 CMS System Txfrm to CIP Wiring Detail, Option 2.....	69
CMS System, LED Wiring Diagram.....	69
Pixel Matrix Module, Front View	69
Pixel Matrix Module, Rear View	69

Pixel Matrix Module, Type 1, End View	69
Pixel Matrix Module, Type 2, End View	69
CMS Control Compartment Mounting Details	69
CMS Testing, Elevation View.....	69
CMS Testing, Plan View.....	69
CMS Lifting Bracket	69
Shipping Pallet Dimensions	69
Palletized CMS Shipping Method.....	69
APPENDIX A9	85
MODEL 510 CMS DETAILS	85
Sign Housing Details, Outside Dimensions	86
Sign Housing Details, Elevations, Side Door, End Cap and Screens	86
Pixel Matrix Module, LED and Thumbscrew Spacing	86
CMS Control Compartment Mounting Details	86
CMS Lifting Bracket	86
Shipping Pallet Dimensions	86
APPENDIX A10	93
MODEL 520 CMS DETAILS	93
Sign Housing Details, Front and Side Views	94
Sign Housing Details, Rear and Top Views.....	94
Transformers to CIP Wiring Details	94
Pixel Matrix Module, Front View	94
CMS Control Compartment Mounting Details	94
Pixel Matrix Module, Rear View	94
CMS Shipping Pallet	94

CHAPTER 8
CHANGEABLE MESSAGE
SPECIFICATIONS

CHAPTER 8-SECTION A GLOSSARY

AASHTO	American Association of State Highway and Transportation Officials
AC	Alternating Current
AllnGaP	Aluminum Indium Gallium Phosphide. Refer to the chemical composition of an LED
ANSI	American National Standards Institute
ASTM	American Society for Testing and Materials
AWS	American Welding Society
AWG	American Wire Gage
CA	Connector A
CAS	Connector A Socket
CB	Connector B
CBS	Connector B Socket
CC	Connector C
CD	Connector D
CDS	Connector D Socket
CE	Connector E
CES	Connector E Socket
CFP	Connector F Plug
CFS	Connector F Socket
CIA	Controller Isolation Assembly
CIM	CMS Isolation Module
CIP	CMS Interface Panel
CMS	Changeable Message Sign
CITB	CMS Interface Panel Terminal Block
DAT	Diagnostic and Acceptance Test Program
DC	Direct Current
DIM	A low level of illumination (lighting)
EIA	Electronic Industries Association
ITE	Institute of Transportation Engineers
ITS	Intelligent Transportation System
KVA	Kilovolt-Ampere
LDM	Lamp Driver Module
LED	Light Emitting Diode
METS	Materials Engineering and Testing Services, Caltrans Division
MIG	Metal Inert Gas
MTBF	Mean Time Between Failures
NEMA	National Electrical Manufacturers Association
PDA	Power Distribution Assembly
PCB	Printed Circuit Board
PxDA	Pixel Driver Assembly
PxDM	Pixel Driver Module

PxMM	Pixel Matrix Module
RMS	Root-Mean-Square
TB	Terminal Block
TIG	Tungsten Inert Gas
TSD	Thumb Screw Device
UV	Ultraviolet Light
VA	Voltage Ampere
VAC	Voltage Alternating Current

CHAPTER 8-SECTION 1 GENERAL

8.1.1 Model 500 and 510 CMS Configuration

The Models 500 and 510 CMS shall have a configuration of 5 Pixel Matrix Modules high by 12 Pixel Matrix Modules across (60 modules) forming a continuous matrix display of 96 pixels across by 25 pixels high (2400 pixels).

8.1.2 Model 520 CMS Configuration

The Model 520 shall have a configuration of 5 Pixel Matrix Modules high by 6 Pixel Matrix Modules across (30 modules) forming a continuous matrix display of 48 pixels across by 25 pixels high (1200 pixels).

8.1.3 Model 500 and 510 Control Compartment

The Models 500 and 510 CMS shall have a Control Compartment on the front right side of its housing. The Control Compartment shall be accessible through panels on the sign's right end side and the compartment front door.

8.1.4 Model 520 Control Compartment

The Model 520 shall have a Control Compartment on the rear side of its housing. The Control Compartment shall be accessible through the compartment back door.

8.1.5 Model 500 and 510 CMS Service Power

The Models 500 and 510 CMS systems shall be designed to operate on a Single Phase 120/240VAC Service, rated at 5KVA (minimum) LED pixels.

8.1.6 Model 520 CMS Service Power

The Model 520 CMS system shall be designed to operate on a Single Phase, 120/240 VAC Service, rated at 5KVA (minimum) LED pixels.

8.1.7 CMS Total Weight

The total weight of the supplied CMS shall not exceed:

Model 500	-	2400 pounds (1089.6kg)
Model 510	-	2000 pounds (908kg)
Model 520	-	1000 pounds (454kg)

A verification of the total weight shall be documented and included in the Certificate of Compliance.

8.1.8 CMS Serial Numbers

Serial numbers of the CMS units shall be displayed on a metal plate attached to the inside of the front door panel, and outside upper right side.

Plate shall be 3in x 5in (7.62cm x 12.7cm) with the serial number stamped in 2in (5.08cm) numbers.

8.1.9 CMS Items Supplied

8.1.9.1 CMS System

The CMS System shall include the Model 500 CMS or Model 510 CMS or Model 520 CMS as per contract.

8.1.9.2 CMS System Components

Controller, Controller Cabinet, Controller Isolation Assembly (CIA), CMS Harnesses #4 and #5 and all other required equipment and wiring necessary to operate the system. The Controller shall be State Furnished unless called out in Contract Special Provisions.

8.1.9.3 Step Down Transformer

Step down transformer where LED pixels are used:

Model 500, 510, 520 - One - 5KVA - 120VAC to 20VAC

8.1.10 CMS Harness

8.1.10.1 Harness No.1

A Harness No. 1 shall be provided between each PMM connector assembly (CA and CB connectors) and its associated PxDM CC connector in the associated PxDA.

Each harness shall consist of:

- Required conductor quantity
- No. 22 AWG or larger conductors
- 1 CAS Connector
- 1 CBS Connector
- 1 CCP Connector

Each harness shall be routed in properly supported cable trays.

8.1.10.2 Harness No. 2

A Harness No. 2 shall be provided between each PxDA CD connector and the associated PxDA No. 4 CE connector.

Each harness shall consist of:

- Required conductor quantity
- No. 22 AWG or larger conductors
- 1 CDS Connector
- 1 CES Connector

8.1.10.3 Harness No. 3

A Harness No. 3 shall be provided between the PDA No. 4 CF connector and the associated Controller Interface Terminal Block Positions on the CIP.

The harness shall consist of:

- Required conductor quantity
- No. 22 AWG or larger conductors

1 CFS Connector
Conductors-Stripped and Tinned

8.1.10.4 Harness No. 4

A Harness No. 4 shall be provided to interconnect the CMS CIP Panel Terminal Position to the Controller Cabinet CIA Assembly (via C8S and C9S connectors).

The harness shall consist of

300 feet (91.46m) of Ledstar or McCain, Type A-881 or equal (24 pr. #18 AWG, multicolored pairs)
1 C8S Connector
1 C9S Connector
Logic Signal & DC Logic Ground Conductors - Stripped and tinned

8.1.10.5 Harness No. 5

A Harness No. 5 shall be provided to interconnect the CMS CIP Panel Terminal Positions (Current Monitor Circuits) to the TB1 in the Model 334L Controller Cabinet.

The harness shall consist of

300 feet (91.46m) of Ledstar or McCain, Type A-881 or equal (6 pr. #18 AWG, multicolored pairs)
Conductors - Stripped and tinned

8.1.10.6 Harness No. 4 and 5 Shipping

The harnesses #4 and #5 shall be neatly rolled up on a wooden reel and prepared for shipping. It shall be so designated and labeled with the associated CMS.

8.1.10.7 Harness No. 4 and 5 Access Holes

Access holes for harness #4 & #5 shall be at the rear of controller compartment on CMS housing.

8.1.10.8 Harness Minimum Slack

All harnesses shall have a minimum of 2 feet (0.610m) of slack available on each connector or connector assembly end and shall be permanently labeled according to connector pin assignments, device addressing and/or function.

8.1.10.9 Harness No. 1 and 2 Slack

Harnesses #1 and #2 shall provide enough slack, to completely pull the PxDA's out of the equipment rack, to facilitate maintenance.

8.1.11 Spare Parts

Spare parts shall meet the requirements of these specifications. The CIA and Pixel Driver Assembly (PxDA) with 5 Pixel Driver Modules (PxDM) shall be mounted inside the 334L Controller Cabinet. The following items shall be included per each delivered Model 500, 510 or 520 CMS system:

2 each	-	Pixel Matrix Module with pixels (PMM)
5 each	-	Pixel Driver Module (PDM)

- 1 each - Pixel Driver Assembly (PXDA)
- 1 each - CMS Isolation Module (CIM)
- 1 each - Controller Isolation Assembly (CIA)

CHAPTER 8-SECTION 2 PIXEL MATRIX MODULE

8.2.1 General

Each PxMM shall consist of 40 LED pixels, module panel, 4 - TSD No. 2, and Connectors CAP and CBP. Each PxMM shall be interchangeable.

Each PxMM shall be secured to the sign support framing at each of its four corners by the TSD No. 2 Devices.

All PMM wiring shall be No. 22 AWG or larger.

8.2.2 Formed Plastic Cover

Formed Plastic Cover (FPC) shall be coated or treated to reduce glare of PxMM.

The coating or treatment shall not diminish light output by more than 15%. The outside of the FPC shall be smooth. The FPC shall maintain a watertight seal against the PxMM panel.

8.2.3 Pixels

8.2.3.1 General and mechanical

Each pixel shall consist of light emitting diodes (LED's).

The maximum weight of a LED PxMM shall be 7 lbs. (3.178kg).

Pixel Matrix Modules shall conform to all applicable dimensions as specified in detail sections 8-8, 8-9 and 8-10.

Each pixel panel module shall have the manufacturer's name, trademark, model number, and serial number permanently marked on the back of the panel. Rated voltage, current, power consumption and volt-amperes (VA) shall also be identified.

The PxMM's shall be rated for a minimum useful life of 48 months.

The maximum luminosity degradation shall be less than 15% after 48 months of operation.

All PxMM's shall meet all parameters of this specification during this period.

8.2.3.2 LED Pixel TYPE 1 or Equal

Each LED pixel shall be mounted in a 44.5 mm (1.75 in) (diameter or on a side) x 44.9 mm (1.77 in) (maximum dimensions) length hooded visor shell as shown in Fig 8-8-9.

Each LED pixel shall be mounted 6 degree down off-axis mounting plane (vertical). The shape of an individual pixel shall be square or circular and the LED's shall be evenly distributed in the pixel.

Each LED pixel (measured from LED to LED on the outside) shall be no larger than 38 mm (1.5 in.) (either on the diameter or on a side).

Each LED pixel shall be encapsulated for water resistance.

Each LED pixel shall be attached to the module panel using a single crew (M-3) mounting with locating pin

Each pixel shall have two 300 mm (12 in.) leads for electrical connection.

The wiring shall be color coded per TEES Section 1.3.13.6.

The wiring shall be fixed to the back of the PxMM to prevent snagging during installation or removal per TEES Section 1.3.13.3

Electronics shall be encapsulated in each pixel, or covered if a separate, intermediated PC board is used.

8.2.3.3 LED Pixel TYPE 2 or equal

Each LED pixel shall consist of an array of LED's mounted on a PC board as shown in Fig 8-8-10.

Entire Pixel Matrix Module shall be sealed and coated for water resistance.

The shape of an individual pixel shall be square or circular and the LED's shall be evenly distributed in the pixel.

Each LED pixel shall be no larger than 38 mm (1.5 in.) (either diameter or on a side).

The electronics on the PC board shall not be visible looking through the FPC except for the LED's.

Wiring and electronics on the back of the PC board shall be covered.

8.2.3.4 Light Emitting Diodes

LED shall be ultra-bright type, AlInGaP.

Color shall be yellow, 592 ± 5 nm

All LED's for each pixel shall be from the same manufacturer and same color bin.

The MTBF of the LED devices should exceed 100,000 hrs of operation.

8.2.3.5 Photometric Requirements

All measurements shall be performed after environmental testing, 24 hours each at -40 °C (-40 °F) and 74 °C (165.2 °F), and at 25 °C (77 °F) (normal operating temperature).

Each pixel shall have a minimum initial brightness of 40 candela, at full bright dimming level (level 7), over the temperature range of -40 0C to +74 0C (-40 0F to 165.2 0F).
Each pixel shall maintain a brightness of 34 candelas throughout the minimum useful life of 48 months at a temperature of 25 0C (77 0F).

Each pixel shall have a viewing angle of 30 degrees or more.

A failure of one LED shall not result in a loss of more than 25% of light output

8.2.3.6 Power and Control

Maximum power consumption shall be 2.0 watts per pixel.

Each pixel shall accept 18 VAC to 28 VAC (22 VAC nominal) as input voltage.

The minimum power factor shall be 0.95.

Each LED pixel shall be compatible with existing PDM (see TEES Section 8.4.6).

Each pixel shall respond to dimming control using the stepped triac modes (pulse width modulation) as defined in TEES Section 8.6.2.

8.2.4 Module Panel

The panel shall be fabricated from 1.588mm (0.0625 inch) minimum thick aluminum sheet.
After fabrication the panel and support shall be treated with a black color according to Section 5 - Structures and Housing Surface Treatment Requirements.

CHAPTER 8-SECTION 3 SIGN STRUCTURE AND HOUSING

8.3.1 Housing Requirements

The housing shall include, but not be limited to, the following:

- Doors
- Ventilation
- Latches/Handles
- Gasketing
- Hinges and Door Catches
- Cage Supports and Mounting for PxMMs and CMS Equipment

8.3.1.1 Housing Construction

The CMS housing shall be constructed to present a clean, neat appearance.

The CMS housing shall be fabricated from 0.125-inch (3.17mm) minimum thick 5052-H32 aluminum alloy and shall be designed to withstand 33 pounds (14.97kg) per square foot as specified in the latest AASHTO publication entitled "Standard Specification for Structural Supports for Highway Signs, Luminaries and Traffic Signals".

The CMS housing shall have interior cage support frames to mount the PxMMs. The cage support frame shall withstand or minimize vibration when the sign is mounted with any number of PxMMs.

The doors, lifting eyes, gasket channels, dual tracks and all supports welded to the housing shall be fabricated of 0.125 inch (3.17mm) minimum thickness aluminum sheet. Bolted on supports shall be either the same material and thickness as the housing or 0.105 inch (2.67mm) minimum steel sheet.

The exterior Z-bar supports shall be fabricated of 0.250 inch (6.35mm) minimum thickness and the material shall be the same as the CMS housing.

8.3.1.1.1 Model 500

A 6 inch (152.4mm) wide border made of the same material as the housing shall encompass the Pixel Matrix Module Section/Array and enclose any open areas around the section/array. The border shall be uniform and painted or treated according to specifications under this section.

8.3.1.1.2 Model 510 & 520

A 5-inch (127mm) wide border made of the same material as the housing shall encompass the Pixel Matrix Module Section/Array and enclose any open areas around the section/array. The border shall be uniform and painted or treated according to specifications under this section.

8.3.1.2 Welding

All exterior seams shall be continuously welded and each weld shall be uniform flow.

Welding on aluminum housings shall be done as follows:

On all exterior seams the gas tungsten arc (TIG) process using bare aluminum welding electrodes shall only be used.

On all interior seams the gas metal arc (MIG) or gas tungsten arc (TIG) process using bare aluminum welding electrodes shall be used.

The aluminum welding electrodes shall conform to the requirements of the American Welding Society (AWS) A5.10 for ER5356 aluminum alloy bare welding electrodes. Procedures, welders and welding operators for welding on aluminum shall be qualified in accordance with the requirements of AWS B3.0, "Welding Procedure and Performance Qualification", and to the practices recommended in AWS C5.6.

The housing front door frames shall be double flanged out on all 4 sides and shall have strikers to hold tension on and form a firm seal between the door gasketing and the frame. The dimension between the door edge and the housing external surface when the door is closed and latched shall be 0.156 ± 0.08 inch ($3.96\text{mm} \pm 2.03\text{mm}$).

Gasketing shall be provided on all door openings and shall be dust tight. Gaskets shall be 0.25 inch (6.35mm) minimum thickness closed cell neoprene or silicone (BOYD R-10480 or equal) and shall be permanently bonded to the metal. If neoprene is used the mating surface of the gasketing shall be covered with a silicone lubricant to prevent sticking to the mating metal surface. A gasket top channel shall be provided to support the top gasket on the door (prevent gasket gravitational fatigue).

8.3.1.3 Access Door and Panels

8.3.1.3.1 Front Access Door

8.3.1.3.1.1 Model 500

For the Model 500, the latching handle shall be on the left side of the front door with hinges on the right side. The latching handle shall be turned clockwise to an angle of 90 ± 5 degrees from the closed position in order to open the door. Latching the door closed from the open position shall be only performed in the counterclockwise direction.

8.3.1.3.1.2 Model 510 & 520

The Models 510 and 520 shall have double compartment doors. The latching handle of the right door shall be on the left side with hinges on the right side. The latching handle shall be turned clockwise to an angle of 90 ± 5 degrees from the closed position in order to open the door. Latching the door closed from the open position shall be only performed in the counterclockwise direction. The left door shall be a mirror image of the right door.

The latching handle shall have provision for padlocking in the closed position. Each handle shall be 0.75 inch (19.05mm) minimum diameter stainless steel with a minimum 0.5 inch (12.7mm) shank. The padlocking attachment shall be placed at 4.0 to 5.0 inches (101.6mm to 127.0mm) minimum gripping length shall be provided.

The latching mechanism shall be a three-point draw roller type. The pushrods shall be turned edgewise at the outward supports and have a cross section of 0.25 inch (6.35mm) thick by 0.75 inch (19.05mm) wide, minimum.

Two-bolt per leave hinges shall be provided to bolt the CMS Housing (at the Control Compartment Section) to the doors. The housing shall have 4 hinges per door. Each hinge shall be 3.5 inches (88.9mm) minimum length and have a fixed pin. The pin ends shall be welded to the hinge and ground smooth. The pins and bolts shall be covered by the door edge and not accessible when the door is closed.

The door shall be provided with catches to hold the door open at both 90 and 180±10 degrees. The catch minimum diameter shall be either 0.375 inch (9.53mm) for plated steel or aluminum rods or 0.25 inch (6.35mm) for stainless steel. The catches shall be capable of holding the door open at 90 degrees in an 80-mph (128.82 km/h) wind acting at an angle perpendicular to the plane of the door.

8.3.1.3.2 Side Access Panels

There shall be two side access panels (top and bottom) for the Model 500 and one side access panel for the Model 510 on the CMS housing right end side adjacent to the Control Compartment. The panels shall be detailed as per Appendix Detail. The panels shall have louvered vents as specified under these specifications.

The CMS housing shall be provided with 2 lifting eyes Models 500 and 510, and one lifting eye Model 520 to be used when placing the housing on the sign structure. The lifting eyes shall be located where required. Each eye shall have a minimum diameter of 1.00 inch (25.4mm). The fully assembled sign shall have sufficient structural strength to be lifted and moved by either lifting eye, or both lifting eyes, without damage or permanent deformation to any part of the sign. A label shall be attached near each lifting eye reading, "Lift Vertically to Prevent Damage".

8.3.2 Surface Treatment

The Contractor shall have the option of Surface Treatment and Painting described herein or Anodizing.

The CMS unit assemblies such as the PMM panels, front and side access doors, etc. shall be treated prior to painting. The treatment steps are as follows:

Surface treat aluminum in accordance with the provisions of ASTM D-1730, Type B, Method 6 or Method 7. Immediately prior to treatment, the aluminum surfaces shall be cleaned following the procedures in either ASTM D-1730, Type A, Method 3 or ASTM D-1730, Type B, Method 1.

Alternative surface treatment and painting methods must equal or exceed those specified and be approved by CALTRANS Division of Materials Engineering and Testing Services (METS) - Chemical Branch.

8.3.3 Anodizing

An anodic coating shall be applied to the aluminum surface after the surface has been cleaned and etched. The cleaning and etching procedure shall be to immerse in inhibited alkaline cleaner at 71° C for 5 minutes (Oakite 61A, Diversey 909 or equivalent in mix of 6 to 8 ounces per gallon (45.26gram to 60.34gram per liter) to distilled water). Rinse in cold water. Etch in a sodium solution at 66° C for 5 minutes (0.5 ounce (14.18gram) sodium fluoride plus 5 ounces (141.75gram) of sodium hydroxide mix per gallon (3.79liter) to distilled water). Rinse in cold water. Desmut in a 50% by volume nitric acid solution at 20° C for 2 minutes. Rinse in cold water.

The anodic coating shall conform to MIL-A-8625C (Anodic coatings for Aluminum and Aluminum Alloys) for Architectural Class II A34 Coating with flat black dye required on the CMS front surface. The black surface coating shall have a design life of a minimum of 10 years.

The anodic coating shall be sealed in a 5% aqueous solution of nickel acetate (pH 5.0 to 6.5) for 15 minutes at 99° C.

Black anodic coating shall be applied to the 6-inch border on the entire front face of the CMS housing, screen assembly frames, the 60 PxMM panels and front access door. All other surfaces shall be treated with clear anodic coating.

8.3.4 Painting

8.3.4.1 General

After applications of the primer all exposed area of primed surfaces shall receive a minimum of 2 finish coats of paint conforming to the requirements for White Tintable Finish Paint Waterborne, Formula PWB-164, Revised or exterior grade latex paint conforming to the following:

Property	Value	ASTM Designation
Pigment content, %	24 Max	D3723
Nonvolatile content Wt%	49 Min.	D2369
Viscosity, KU	75 Min. to 90 Max.	D 562
Fineness of grind Hegman	6 Min.	D1210
Drying time at 77° F 50% RH, 4 mil wet film		D1640
Set to touch, minutes	30 Max.	
Dry through, hours	1 Max.	

No visible color change in the finish coats shall occur when tested according to ASTM Designation: G 53 using FS 40 UV- B bulbs for a min. of 38 cycles. The cycle shall be 4 hours UV exposure at 60° C and 4 hours condensate exposure at 40° C. The vehicle shall consist of 100% acrylic latex with a minimum of necessary additives.

Individual batches/lots of paints will require testing by the METS – Chemical Branch to assure compliance with specification requirements prior to use unless otherwise approved by the engineer. 8in x 8in (203.2mm x 203.2mm) sample panels coated according to the requirements of these specifications and the following shall be provided for testing and approval with 90 days of award of contract. Two sample panels shall be provided for each color of finish paint. Each color panel shall be the same type aluminum specified to receive that color finish. When more than one type aluminum is required 2 panels of each color on each type shall be submitted.

8.3.4.2 Application

After a complete Surface Treatment process, one coat of vinyl wash primer with one-part acid and four parts resin shall be applied. One part of acid is to be slowly added with constant stirring to four parts by volume of the resin just before use. The mixed components must be used within 8 hours. Vinyl wash primer is formulated for spray application only and shall be applied to a dry film thickness of 0.3 to 0.5 mils.

After application of the vinyl wash primer all exposed surfaces shall receive a minimum of 2 finish coats of an exterior grade acrylic latex paint. The first finish coat shall be tinted by the manufacturer to provide a color to contrast with the final finish coat. The total dry film of the first finish coat shall be not less than 2 mils.

8.3.4.3 Second Finish

The second finish coat color shall match the following:

Federal Standard 595a No. 37038 to be applied to the 6-inch (152.4mm) border on the front face of the CMS housing including, screen assemblies Control Cabinet Door and the 60 Pixel Matrix Module Panels.

Federal Standard 595a No. 37769 to be applied to the CMS housing including Z-Bars.

The total dry film thickness of all applications of the second finish coat shall be not less than 2 mils or more than 4 mils.

The 2 finish coats shall be applied in 2 or more applications to a total dry film thickness of not less than 4 mils or more than 8 mils.

The total dry film thickness of all paint applications shall be not less than 4.3 mils or more than 8.5 mils.

A minimum drying time of 12 hours shall be allowed between finish coats.

After finish paint has cured adequately, the adhesion of the coating to the substrate when tested according to ASTM Designation: D 3359, Test Method A shall be 4A or higher.

8.3.5 Ventilation

The CMS housing shall be provided with the necessary louvered vents on both sides of the housing and below the housing to provide sufficient ventilation as described below.

There shall be no active ventilation such as electric fans or other devices in the CMS housing except in the CMS Control Compartment.

The CMS Control Compartment shall have a ventilation system including intake, exhaust, filtration, fan assembly and environmental control. A louvered vent of 0.25 inches (6.35mm) in depth maximum shall be provided and positioned near the bottom on the lower panel of the CMS Sign Housing right-side. A removable and reusable filter in a fan mounting shell shall cover the vents and shall be held in place with bottom and side brackets and a spring-loaded top clamp.

The intake (including filter) and exhaust areas shall pass a minimum of 60 cubic feet (1.69 m³) of air per minute.

The fan assembly shall have ball or roller bearings and a capacity of at least 60 cubic feet (1.69 m³) of free air delivery per minute.

The fan assembly shall be a thermostatically controlled device adjustable to turn ON between 33° C and 65° C with a differential of not more than 6° C between automatic turn ON and OFF. Thermostat indication shall be marked in 10° C increments. Manual adjustment shall be provided.

The filter material shall be a McMaster-Carr Permanent Washable Air Filter No. 2069K12 or equal.

The fan assembly shall be mounted on the CMS Control Compartment lower right side and exhaust into the Pixel Matrix Module Section.

CHAPTER 8-SECTION 4 CONTROL COMPARTMENT

8.4.1 General

CMS Control Equipment and associated wiring shall be furnished and installed in the Control Compartment. The equipment shall consist of:

- One - CMS Interface Panel (CIP)
- One - Power Distribution Assembly No.4L (PDA #4L)
- Five - Pixel Driver Assemblies (PxDAs)

MODEL 500 & 510

- Sixty - Pixel Driver Modules (PxDM)
- One - 5 KVA Transformer (LED pixels)

MODEL 520

- Thirty - Pixel Driver Modules (PxDM)
- One - 5 KVA Transformer (LED pixels)

All panels and assemblies shall be mounted on the 19-inch (482.6mm) Rack.

All circuit breakers, fuses, switches and indicators shall be readily visible and accessible when the CMS Control Compartment Front Door is open except for the PxDM fuses which shall be located near the PxDM connector.

All equipment when called out shall be clearly and permanently labeled. Marking strips shall be made of material that can be easily and legibly written on using a pencil or ballpoint pen. Marker strips shall be located immediately below the item to be identified and must be clearly visible with the item installed.

The assembly or panel depth dimension shall include the terminal blocks and assembly mounted part of the connectors.

All assemblies and panels shall allow air circulation through its top and bottom unless specifically called out otherwise.

Assemblies shall be fabricated of 0.0625-inch (1.59mm) minimum thickness aluminum sheet with metal surface treated with either clear chromate or anodized.

8.4.2 19-Inch EIA Racks

The 482.6mm (19-inch) EIA Rack shall be installed a minimum of 25.4mm (1.0 inch) inside the Control Compartment Front Door for mounting of the Control Equipment.

The 482.6mm (19-inch) EIA Rack shall consist of a pair of continuous adjustable equipment mounting angles. The angle nominal thickness shall be either 3.42mm (0.1345 inch) plated steel or 2.67mm (0.105”) stainless steel. The angles shall be tapped with 10 - 32 threads with EIA universal spacing. The angle shall comply with Standard EIA RS-310-B and shall be supported at the top and bottom.

Clearance between the mounting angles for mounting equipment shall be 450.85mm (17.75 inches).

The Model 500 vertical mounting surface shall be a minimum of 1689.10mm (66.5 inch) and the Models 510 and 520 vertical mounting surfaces shall be a minimum of 1168.4mm (46 inch).

The top of the mounting area to the center of the first screw hole shall be a minimum of 9.53mm (0.375 inch).

8.4.3 CMS Interface Panel (CIP)

The CIP mounting surface used for required equipment shall be recessed if necessary, so that the equipment front surface is even with the CIP rack mounting front surface. The CIP shall have a maximum depth of 203.2mm (8 inch).

Service equipment and conductors shall be separated and isolated from the Controller Interface Terminal Blocks and Harness No.3.

A Twenty (20) Position minimum AC- Copper Bus(es) shall be provided. Two (2) 1/0 AWG wiring lugs shall be available on the Bus for AC Neutral Service Termination. The Bus shall have minimum ampacity capability of 400 Amperes. Nylon screws or standoffs shall be used to provide 500 megaohms isolation between AC- and Equipment Ground & DC Logic Ground when tested at 250 VDC.

A Two (2) Position termination lug shall be provided for Equipment Ground on the CIP. A #10 AWG Conductor shall be routed from the CMS frame termination to the CIP and from the CIP to PDA #4, T2 Block Position #8.

The Equipment Ground shall be connected directly to the CMS Frame.

LED Pixels are used; a 2-Pole 30 Ampere minimum rated circuit breaker shall be installed on the panel and designated for CMS Main Disconnect.

Disconnect Line and Load Side Lugs shall accommodate No. 1/0 AWG Conductors.

LED Pixels are used, thirty 1 Pole 20 Ampere PxDA Circuit Breakers shall be furnished and installed to protect the PxDA Busses, 6 per PxDA. The Breakers shall be split into 15 breakers per lines L1 and L2 (120 VAC leg). See detail 8-8-3 & 8-8-4 for Assignments.

8.4.4 Controller Interface

A 44 Position Phoenix Contact, Type MBK 2.5/E, DIN Terminal Block or equal (CITB) shall be installed on the panel for CMS Harnesses #3, #4 and #5 termination.

CITB Terminals shall accommodate No.18 AWG conductors. Strain relief shall be provided for incoming Harnesses #4 & 5 Cable(s).

8.4.5 Power Distribution Assembly No. 4L (PDA #4L)

The PDA No. 4L shall meet all the requirements of the Power Distribution Assembly as specified in the TEES 2009 (Chapter 6) including details as applicable except for the following:

The PDA #4L shall consist of:

- 1 - Duplex NEMA 5-15R Equipment Receptacle with GFI
- 1 - 1 Pole 15 Amperes, 120 VAC Equipment Circuit Breaker
- 1 - 1 Pole 15 Amperes, 120 VAC Main CB (includes Model 206L and Temp Control) Circuit Breaker
- 1 - Model 206L Power Supply Module (+24 VDC) and Socket
- 1 - 10 Position Terminal Block T2
- 1 - 4 Position Terminal Block T3
- 1 - CFP Connector
- 5 - CEP Connector
- 1 - CMS Isolation Module (CIM) and Socket Connector

Retaining Devices shall be provided mounted above the CIM and Model 206L Power Supply Module. Each device when locked down shall prevent the module from backing out of its connector. When not in use the device shall rest in a position allowing the module removal or insertion.

8.4.6 CMS Isolation Module (CIM)

The module shall optically isolate, receive/drive and condition DC Logic Signals from the Controller Cabinet (CIA) complying to RS 423 Standards at a minimum distance of 152.40m (500 Feet).

The total module load current shall not exceed 100 mA of +24 VDC power. Logic Voltage between the CIM and the LDMS shall be +12 VDC. The CIA Assembly shall supply the power for interface circuitry between the CIM and the CIA.

The front panel shall be fabricated of 2.29mm (0.090 inch) minimum thickness aluminum or stainless-steel sheet. A momentary toggle switch shall be provided on the module front panel for Sign Lamp Test Function. Five indicators shall be provided on the front panel of the module to indicate the Dimming Signal, Clear State, Clock Signal, Device Enable and PxDA Latched State.

The addressing of the PxDAs shall be implemented on the module by decoding the upper three binary bits 5, 6 and 7 of the address bus to generate the PxDA select lines designated 1 through 5 (See Appendix details).

The CIM and PxDMs shall have exclusive use of the Model 206 Power Supply.

A Gas Tube type surge protector shall be provided across T2 terminal positions 8(GND), 9(AC+), and 10(AC-).

8.4.7 Pixel Driver Assembly (PxDA)

The assembly shall have a maximum depth of 241.3mm (9.5 inch) (includes connector assemblies on rear of assembly).

The assembly shall intermate and support 12 PxDMs, provide interface between the PxDMs to the associated PxMM, route AC and DC power to the PxDMs and interface control signal lines to the PxDMs.

The assembly shall have a PCB Motherboard for routing circuits to and from the lamp driver assembly connectors; PxDM Connectors (1 through 12), CC Connectors (1 through 12), CD Connector, and the 6-position terminal blocks (or four 3 position).

Intercomponent wiring shall be by laminated copper clad track having a minimum weight of 4 ounces per square foot with adequate cross section for current to be carried.

All assembly connectors shall be mechanically supported to the frame of the assembly.

The PxDA-PxDM connector shall be a 43/86S PCB Connector vertically centered. Guides, top and bottom, shall be provided to insert and support the PxDM. The connector contacts shall start with pin 1 at the upper left when viewed from the PxDA front.

The AC+ and AC- Buses shall be routed across the PxDA from both sides (Terminal Block TBA1 assigned to PxDM Connectors 7 to 12 and TBA2 assigned to PxDM Connectors 1 to 6). The AC-Bus(s) and return shall be able to carry a minimum 60 Ampere Load. TB1 and TB2 blocks may be divided into four (4) 3 position Terminal Blocks, two for power and two for AC neutral.

8.4.8 Pixel Driver Module (PxDM)

8.4.8.1 General Requirements

The module PCB connector shall be a 43/86P.

Each module shall be interchangeable without modification or alteration to the module connectors and/or circuitry.

One PxDM shall exclusively control and operate one PMM.

Address lines incoming from the CIM (The 4-bit PxDM Address lines and the associated PxDA Select line) shall be compared with the PxDM slot address I.D. lines and PxDA Select I.D. lines on the module.

The slot address I.D. lines shall be decoded and implemented using hard-wire logic on the PxDA Motherboard adjacent to the PCB 43/86S connector. Five I.D. lines minimum shall be used as follows; the first four I.D. lines 1 to 4 shall be compared to the incoming PxDM Address lines and the I.D. line 5 shall be compared to the incoming PxDA Select line.

Jumper wires, dip switches, and shunt jumpers shall not be used to decode and implement the hard-wire logic. Permanent solder traces with a resistor network or equal may be allowed. The module shall be fused protected on the three incoming AC+ traces with three-5 Amperes Medium Blow Type Fuses. The triac load shall be evenly divided through the fuses and the three power buses (14, 13 and 13). The pattern shall be the same for all LDMS.

No more than 80 mA of +24 VDC power shall be used by each PxDM.

8.4.8.2 Feature Requirements

The module shall consist of serial shift registers with parallel and latched tri-state outputs, 40 optically coupled triac drivers, 40-pixel load triacs and support circuitry to interface and control DC logic control signals to an external pixel load.

Pixel Load Triac Ratings:

1. 8 Amp On- State RMS Current
2. 40 Amp Peak Surge Current for 1 full AC Cycle
3. 400 Volt RMS Blocking Voltage minimum
4. Maximum 1 ma Leakage Current either direction
5. Maximum 3 us Turn On Time
6. Maximum 5 Amp DC Gate Trigger Current
7. The Triac shall not be a sensitive gate type

CHAPTER 8-SECTION 5 MODEL 500, 510 AND 520 CMS SYSTEM INTERCONNECTION

8.5.1 General

The CMS System consists of the Model 500, 510 or 520 CMS, Harnesses No. 4 and No. 5 Interconnect, the CIA resident in the Controller Cabinet and the Controller. This section shall detail the interface and control requirements that mate the controller to the CMS.

A systems check shall consist of running the Caltrans' DAT CMS (Diagnostic and Acceptance Testing for the Changeable Message Sign) Software Program with the CMS (Complete interconnection and interface of CMS, Controller, CIA, Controller Cabinet and associated equipment).

Prior to the delivery of the Model 500, 510 or 520 CMS, a verification certificate shall be submitted to the Engineer. The certificate shall show that a systems check has been performed and the system has functioned properly under the Engineer's guidelines.

CIA AC+ power shall be connected to cabinet PDA #3L via a 3-foot (9.15m) NEMA Type 5-15P grounding type plug. The controller duplex receptacle shall be used for power source.

8.5.2 CMS Control Isolation Assembly (CIA)

The CIA shall function as the isolation / driver interface between the Controller and the CMS, Sense light and AC voltage levels, sense the 4 power line current levels, read the Controllers Dim Level Select Lines and via selected level points control the Triac Turn On Point and provide CMS Soft Start Feature.

The CIA shall optically isolate, receive / EIA drive and condition DC Logic Signals to and from the CIM complying to 423 Standards at a minimum of 500 ft (152.40m). The system shall be capable of writing to all 60 PxDMs within 100 ms.

The CIA shall sense the 5 CIA Control Lines (Line 4 is reserved) and react as follows:

CIA CONTROL LINES	FUNCTION	RANGE
3 2 1 5		
0 0 0 0*	Power Line 1	0 - 100 Amps *
0 0 1 0*	Power Line 2	0 - 100 Amps *
0 1 0 0*	Power Line 3	0 - 100 Amps *
0 1 1 0*	Power Line 4	0 - 100 Amps *
1 0 0	Photocell	0 - 5 VDC
1 0 1	AC+ Line	75 - 150 VAC
1 1 0	Test	+5 VDC
1 1 1	Test	0 VDC

- Line 5 Logic 1 shall decode Power Line Range to 0 - 10 AMPs

The selected function shall present to the controller via the 8 Sense Lines its range in 256 increments (binary with Line 1 equal to the least significant bit). The Values shall be linear over the range. Sense output shall be compatible with the controller unit. The A/D convertor shall be an ADC 804 or equal with conversion triggered by a CLOCK Input. Conversion shall be completed within 250 us.

DIM Control shall be as called out under Specifications 2.4. The CIA shall read the Photocell Sensor Output and the incoming AC Voltage report to the controller. The controller shall decode the Dim Control Level via the three DL Lines as Follows:

LINES	FUNCTION
1 2 3	
0 0 0	Turn Sign Off, NO ON PULSE
1 0 0	Adjustment Level 1 (Lowest intensity Level)
010 to 110	Adj. Levels 2 to 6
1 1 1	Adjustment Level 7 (Highest intensity Level)

The selected level shall be matched to a DIM Control Phase Triggering Point adjustable by an individual 10 turn (min.) discrete potentiometer accessible from the front panel The Phase Triggering Pulse shall be mirrored back to the controller.

Four toroidal current monitoring devices (BICRON ELECTRONICS B5303 or equal) installed on the secondary side on each of the Four Power Lines (CMS Main Disconnect) shall input via C10 Connector to the current sensing circuitry and upon request to the A/D Convertor.

The CIA shall upon request run a self check on the A/D Convertor - Sense Lines. A +5 VDC Request shall provide an "FF" Response. A 0 VDC Request shall provide a "00" Response.

CHAPTER 8-SECTION 6 CONTROLLER CABINET

8.6.1 334LC Cabinet

The 334LC Cabinet and the Model 334L Cabinet shall comply with chapters 1, 3 & 6 of the Transportation Electrical Equipment Specifications (TEES), dated May 12, 2009.

Amend Specification 6.1.1.2 "Model 334L Cabinet" to read "Model 334LC Cabinet".

8.6.2 Light Level Control System

8.6.2.1 General Requirements

The Light Level Control System shall consist of the Photo electric sensor, the incoming AC power line sense, the comparator / controller report circuitry and the Dimmer Control Circuitry all resident in the CIA Unit. The system shall sense the background ambient light level (range 0 to 5 Volts) and provide sense levels to the controller via the 8 Sense Lines. The AC Line shall be sensed between 75 to 150 VAC and reported back to the controller via sense lines. The Dimmer Control Circuit shall read the three Dim Level select lines from the controller and control the Triac Turn On Point.

Background ambient light levels for pixel dimming and background light sensing shall be adjusted and pre-set at the factory prior to delivery to the STATE. Potentiometer settings shall match each light level setting designated by number from level 1 to 7, where level 1 is lowest light level and level 7 is highest (brightest) light level.

8.6.2.2 Feature Requirements

8.6.2.2.1 Background Light Sensing Circuitry

A commercially available photo-electric sensor in an EEI-NEMA type twist lock receptacle or equal, metal enclosure shall be installed on the Controller Cabinet, where the sensor shall not be affected by artificial lighting.

The photo-electric sensor shall be an EG and G VACTEC Type VT521H or equal.

The photo-electric sensor shall be capable of being continually exposed to direct sunlight without impairment of its performance.

The watertight metal enclosure shall have a 1.00 square inch (2.54cm²) glass window area to assure full exposure of photocell to ambient light.

The Photo- electric sensor output lines shall be routed to Cabinet Terminal Block TB1 and via C10 to the CIA. The outputs shall be electrical compatible with the CIA Input circuitry.

8.6.2.2.2 Pixel Dimming Circuitry - CIA

The pixel dimming circuit shall allow the AC power to be switched at any point from 10 degrees to 120 degrees and from 190 degrees to 300 degrees for each pixel intensity.

Each pixel intensity sine wave switch point shall vary 5 degrees (maximum) when the dimming circuit is exposed to temperature changes ranging from +250C to +650C and from +250C to – 300C.

Each pixel intensity shall be adjusted by a discrete wire-wound 10-turn potentiometer. Each potentiometer shall use 90% (maximum) of its adjustment range throughout the sine wave switching range specified.

The pixel dimming circuit shall read 3 Dimmer Level inputs (read in binary, Line 1 least significant), from the controller to select the 8 set conditions of dim control for the CMS (Selection "0" shall allow no Dim Control output or BLANK Sign).

The pixel dimming circuit shall have electrical devices installed to minimize 60 Hz noise on the AC load lines.

Each noise eliminator shall cause the slope of the switch-on across the pixels to rise at between 8V per degree and 20V per degree across the AC voltage sine wave.

Each noise eliminator shall eliminate overshoot across the AC voltage sine wave when the pixel load voltage reaches its maximum.

The DIM Control Line shall control all 60 PxDM Triac Turn On Points. The DIM Control Circuitry shall relay back to the Controller a Phase Fire Pulse of 200 us nominal indicating Triac Turn On pulse. The DIM Control shall, also, provide Soft Start Feature. Soft Start shall use the DIM Control line to reduce inrush current at pixel turn on or message change. Soft Start shall have a six AC cycle minimum step between 160 deg to 10 deg and 340 deg to 190 deg.

CHAPTER 8-SECTION 7 GENERAL DETAILS

	Appendix
8.7.1 CMS System Block Diagram	A7-1
8.7.2 CMS System AC Wiring Diagram	A7-2
8.7.3 Pixel Driver Module Circuit Block Diagram	A7-3
8.7.4 Pixel Driver Assembly, Front View	A7-4
8.7.5 Pixel Driver Assembly, Rear View	A7-5
8.7.6 Pixel Driver Module	A7-6
8.7.7 Controller Isolation Assembly	A7-7
8.7.8 Model 334LC Cabinet, Input File #3 -- Upper Part	A7-8
8.7.9 Model 334LC Cabinet, Input File #3 -- Lower Part	A7-9
8.7.10 CMS Interface Panel	A7-10
8.7.11 CMS Interface Panel Terminal Block	A7-11
8.7.12 PDA #4L	A7-12
8.7.13 CMS Isolation Module	A7-13
8.7.14 Address and Pixel BIT Configuration	A7-14
8.7.15 CMS Device Address Assignment	A7-15
8.7.16 CMS Timing Diagram	A7-16
8.7.17 CMS Connector Details	A7-17
8.7.18 Harness #1 Wiring Diagram	A7-18
8.7.19 Harness #2 Wiring Diagram	A7-19
8.7.20 Harness #3 Wiring Diagram	A7-20
8.7.21 CMS Harness #4 and #5 Wiring Lists	A7-21
8.7.22 CMS Harness #4 and #5 Color Code Wiring Lists	A7-22
8.7.23 CMS Harness #5 and TB1 Wiring Lists	A7-23
8.7.24 Model 334LC C1 Harness #2	A7-24
8.7.25 PDA #4L CIM and CFP Connector Assignments	A7-25
8.7.26 PDA #4L CMS CE (A to E) and Terminal Block Connector Assignments	A7-26
8.7.27 Pixel Driver Module Connector Assignments	A7-27

8.7.28 Controller Isolation Assembly Connector PIN Assignments for C8P and C9P Connectors	A7-28
8.7.29 Direct Mode DB9 Communications Cable	A7-29
8.7.30 Modem DB9 Communications Cable	A7-30
8.7.31 Direct Mode DB-25 Communications Cable	A7-31
8.7.32 Modem DB-25 Communications Cable	A7-32
8.7.33 GDI Modem DB9 Communications Cable	A7-33

CHAPTER 8-SECTION 8 MODEL 500 CMS DETAILS

	Appendix
8.8.1 Sign Housing Details, Elevation, Side Doors and End Cap	A8-1
8.8.2 Sign Housing Details, Elevation, Rear, Plan and Z-Bar	A8-2
8.8.3 Transformers to CIP Wiring Details	A8-3A, A8-3B
8.8.4 CMS System, LED Wiring Diagram	A8-4
8.8.5 Pixel Matrix Module, Front View	A8-5
8.8.6 Pixel Matrix Module, Rear View	A8-6
8.8.7 Pixel Matrix Module, Type 1, End View	A8-7
8.8.8 Pixel Matrix Module, Type 2, End View	A8-8
8.8.9 CMS Control Compartment Mounting Details	A8-9
8.8.10 Testing Stand, Elevation View	A8-10
8.8.11 Testing Stand, Plan View	A8-11
8.8.12 CMS Lifting Bracket	A8-12
8.8.13 Shipping Pallet Dimensions	A8-13
8.8.14 Palletized CMS Shipping Method	A8-14

**CHAPTER 8-SECTION 9
MODEL 510 CMS DETAILS**

	Appendix
8.9.1 Sign Housing Details, Outside Dimensions	A9-1
8.9.2 Sign Housing Details, Elevation, Side Door, End Cap, Screens	A9-2
8.9.3 Pixel Matrix Module, LEDS and Thumbscrews Spacing	A9-3
8.9.4 CMS Control Compartment Mounting Details	A9-4
8.9.5 CMS Lifting Bracket	A9-5
8.9.6 Shipping Pallet Dimensions	A9-6

CHAPTER 8-SECTION 10 MODEL 520 CMS DETAILS

8.10.1 Sign Housing Detail, Front and Side Views	Appendix A10-1
8.10.2 Sign Housing Detail, Rear and Top Views	A10-2
8.10.3 Transformers to CIP Wiring Details	A10-3
8.10.4 CMS Control Compartment Mounting Details	A10-4
8.10.5 Pixel Matrix Module, Front View	A10-5
8.10.6 Pixel Matrix Module, Rear View	A10-6
8.10.7 CMS Shipping Pallet	A10-7

**APPENDIX A
CHAPTER 8 DETAILS**

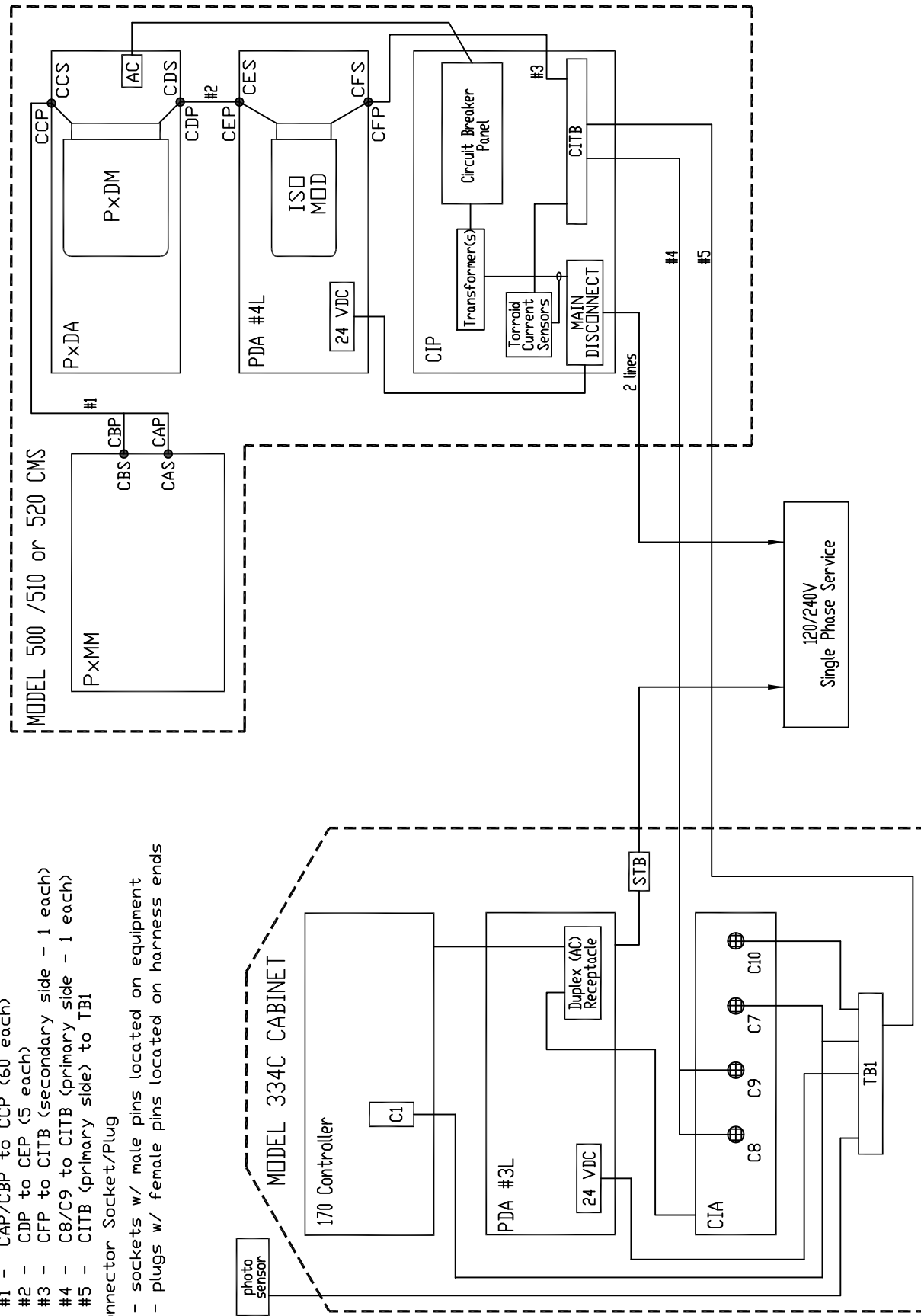
**APPENDIX A7
GENERAL DETAILS**

CMS System Block Diagram	A7-1
Model 500, 510 & 520 CMS System Wiring Diagram	A7-2
PxDM Circuit Block Diagram	A7-3
Pixel Driver Assembly, Front View	A7-4
Pixel Driver Assembly, Rear View	A7-5
Pixel Driver Module	A7-6
Controller Isolation Assembly	A7-7
Model 334LC Cabinet, Input File #3 -- Upper Part	A7-8
Model 334LC Cabinet, Input File #3 -- Lower Part	A7-9
CMS Interface Panel	A7-10
CMS Interface Panel Terminal Block	A7-11
PDA #4L	A7-12
CMS Isolation Module	A7-13
Address and Pixel BIT Configuration	A7-14
CMS Device Address Assignment	A7-15
CMS Timing Diagram	A7-16
CMS Connector Details	A7-17
Harness #1 Wiring Diagram	A7-18
Harness #2 Wiring Diagram	A7-19
Harness #3 Wiring Diagram	A7-20
Harness #4 and #5 Wiring Lists	A7-21
Harness #4 and #5 Color Code Wiring Lists	A7-22
Harness #5 and TB1 Wiring Lists	A7-23
Model 334LC C1 Harness #2	A7-24
PDA #4L CIM and CFP Connector Assignments	A7-25
PDA #4L CMS CE (A to E) and Terminal Block Connector Assignment	A7-26
Pixel Driver Module Connector Assignments	A7-27

Controller Isolation Assembly Connector PIN Assignment for C8P and C9P Connectors	A7-28
Direct Mode DB9 Communications Cable	A7-29
Modem DB9 Communications Cable	A7-30
Direct Mode DB-25 Communications Cable	A7-31
Modem DB-25 Communications Cable	A7-32
GDI Modem DB9 Communications Cable	A7-33

NOTES:

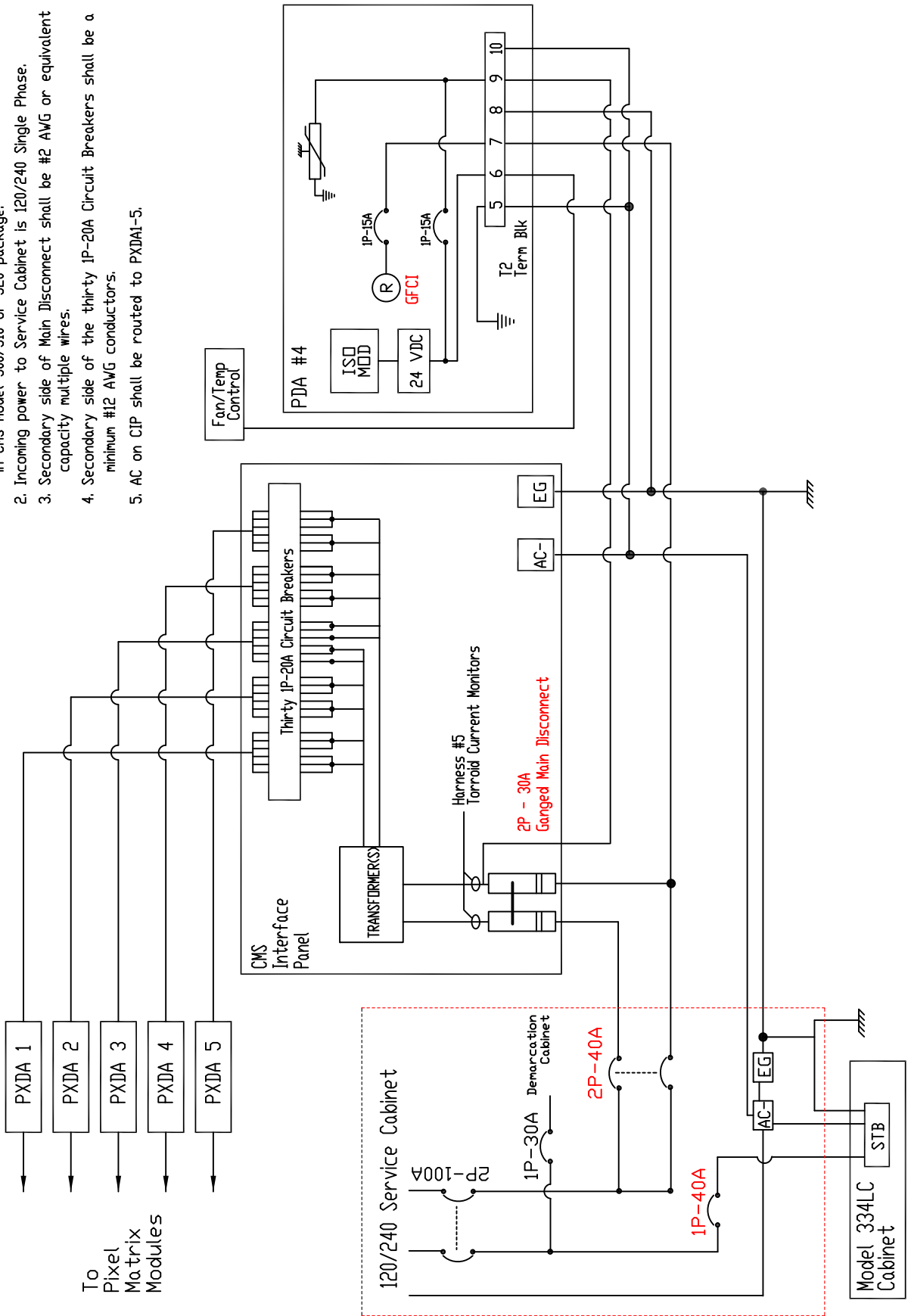
- Harness #1 - CAP/CBP to CCP (60 each)
- Harness #2 - CDP to CEP (5 each)
- Harness #3 - CFP to CITB (secondary side - 1 each)
- Harness #4 - C8/C9 to CITB (primary side - 1 each)
- Harness #5 - CITB (primary side) to TBI
- - Connector Socket/Plug
- S - sockets w/ male pins located on equipment
- P - plugs w/ female pins located on harness ends



Title:	
MODELS 500, 510 & 520 CMS SYSTEM BLOCK DIAGRAM	
CMS 2020	No Scale
	A7-1

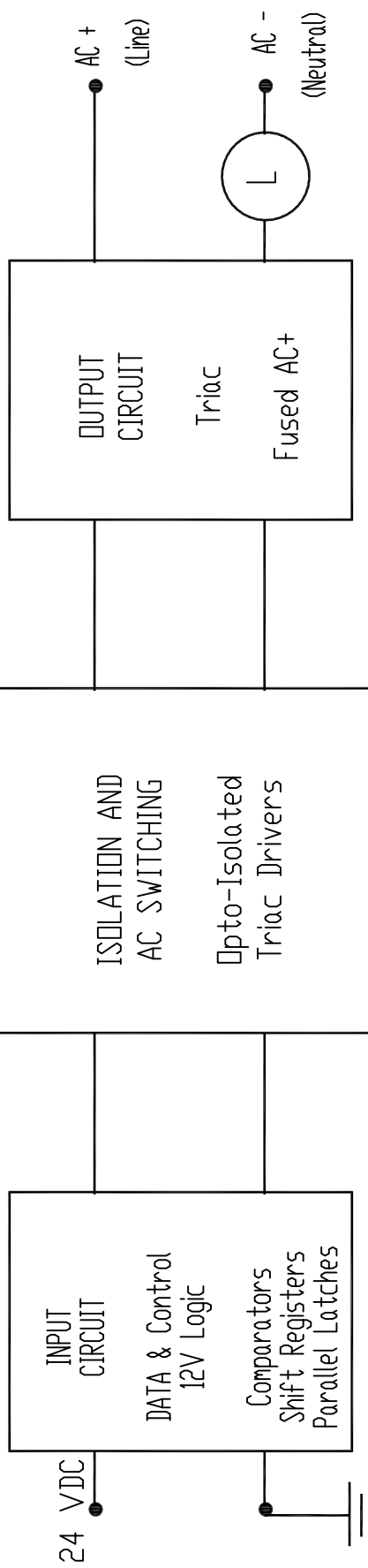
NOTES:

1. AC Service is shown only to complete diagram and is not provided in CMS Model 500/510 or 520 package.
2. Incoming power to Service Cabinet is 120/240 Single Phase.
3. Secondary side of Main Disconnect shall be #2 AWG or equivalent capacity multiple wires.
4. Secondary side of the thirty IP-20A Circuit Breakers shall be a minimum #12 AWG conductors.
5. AC on CIP shall be routed to PXDA1-5.

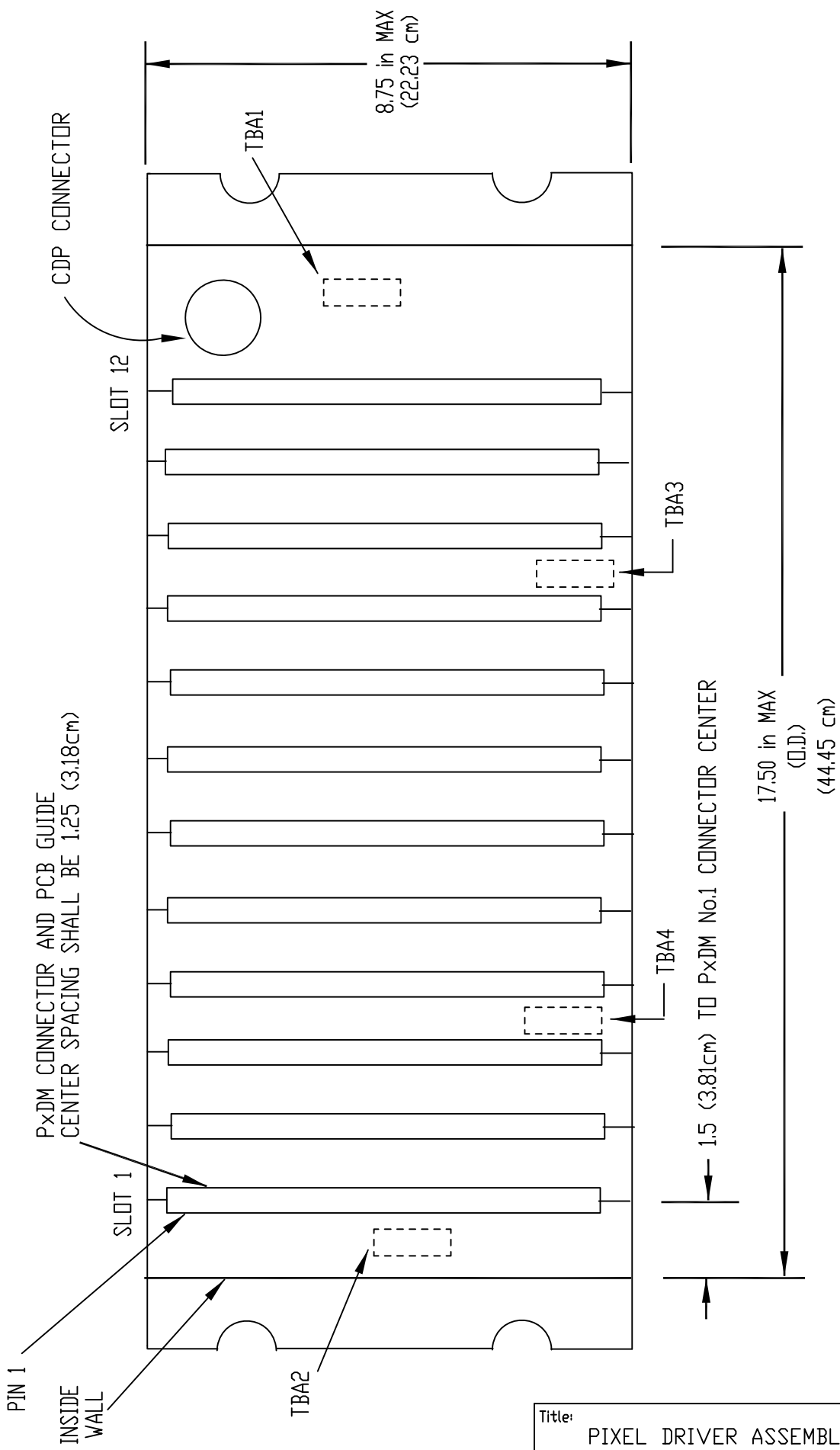


TITLE:	
MODELS 500, 510 & 520 CMS SYSTEM WIRING DIAGRAM	
CMS 2020	ND SCALE
	A7-2

PIXEL DRIVER MODULE CIRCUIT BLOCK DIAGRAM



Title: MODELS 500, 510 & 520 CMS SYSTEM PIXEL DRIVER MODULE CIRCUIT	
	No Scale
CMS 2020	A7-3



Title:	
PIXEL DRIVER ASSEMBLY DETAIL FRONT VIEW	
	NO SCALE
CMS 2020	A7-4

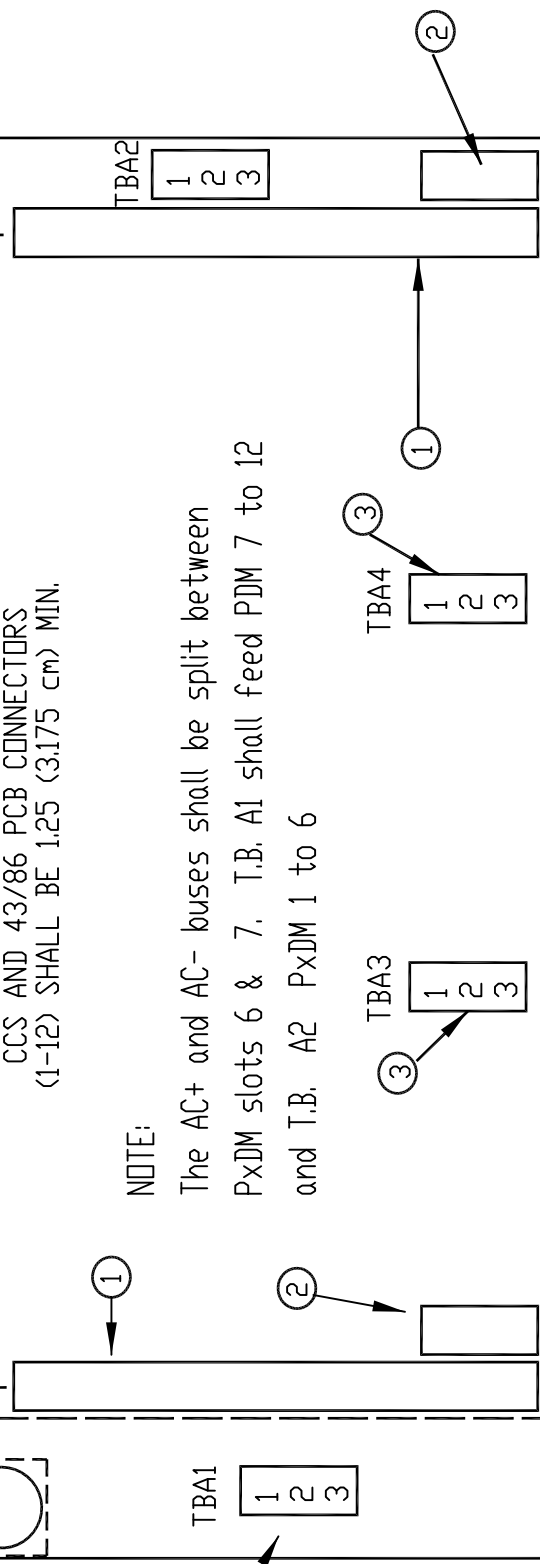
SLOT 1
 1.5 (MIN)
 (3.81 cm)
 0.625
 (1.59 cm)

MOUNTING LOCATION OF CDP
 SLOT 12

CENTER TO CENTER DIMENSIONS FOR
 CCS AND 43/86 PCB CONNECTORS
 (1-12) SHALL BE 1.25 (3.175 cm) MIN.

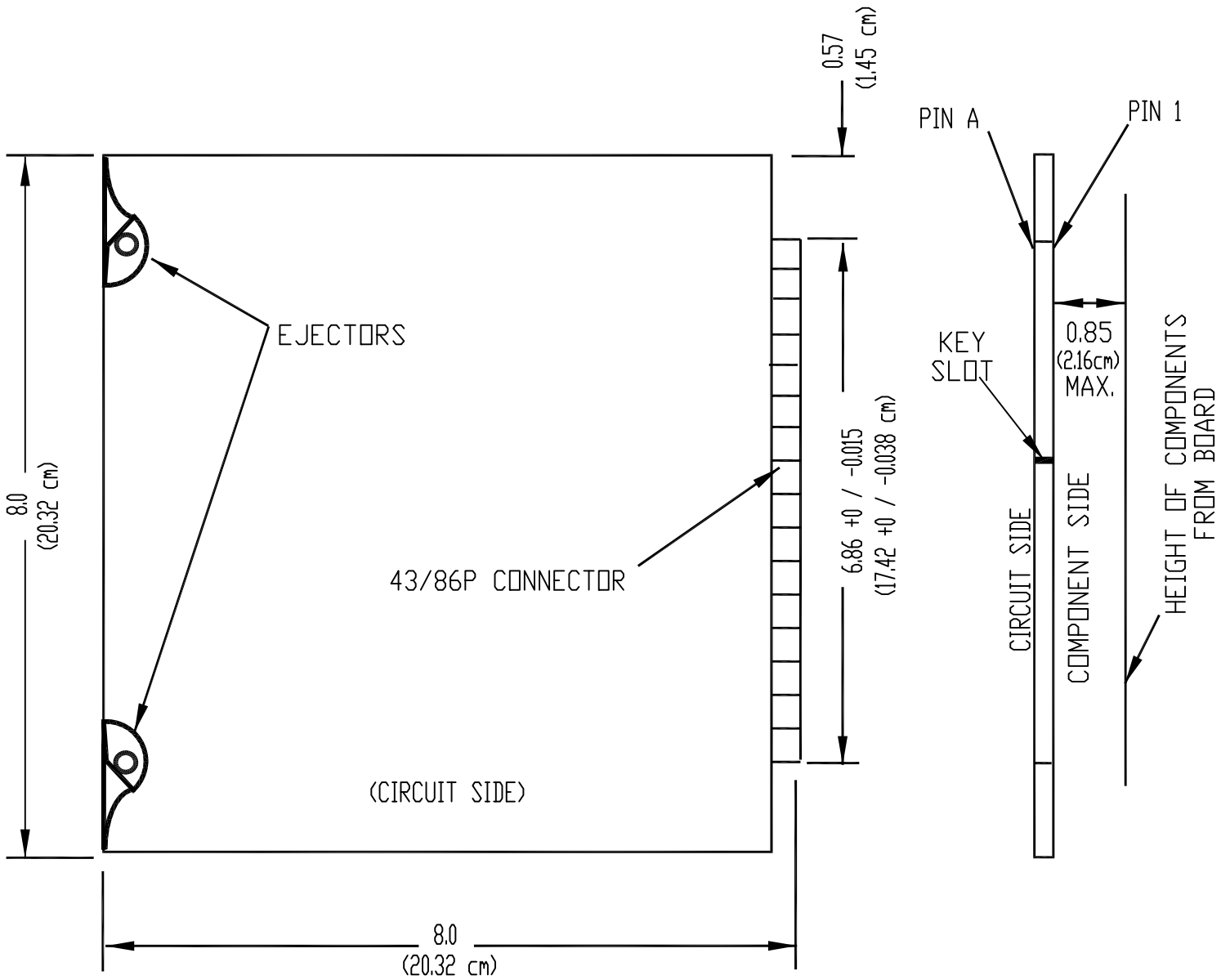
NOTE:
 The AC+ and AC- buses shall be split between
 PxDM slots 6 & 7, T.B. A1 shall feed PDM 7 to 12
 and T.B. A2 PxDM 1 to 6

AC+
 CIRCUITS
 1, 2, and 3



- NOTES:
- ① 43/86 PCB CONNECTOR
 - ② CCS CONNECTOR
 - ③ AC- TB

Title: PIXEL DRIVER ASSEMBLY DETAIL REAR VIEW	
	NO SCALE
CMS 2020	A7-5



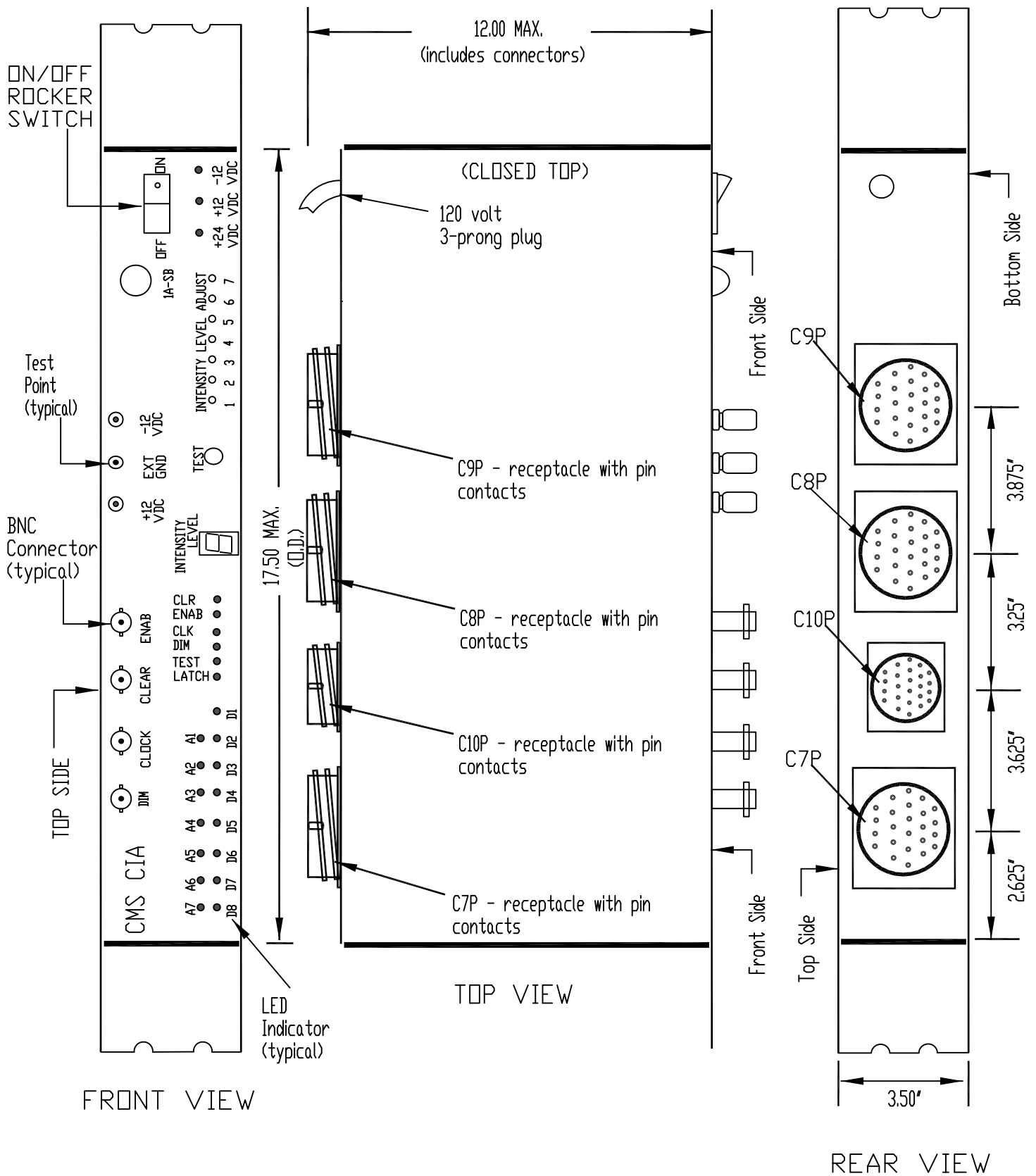
PLANE VIEW

CONNECTOR END VIEW

NOTE:

PDM shall be keyed between pins 17 and 18.

Title:	
PIXEL DRIVER MODULE	
No Scale	
CMS 2020	A7-6

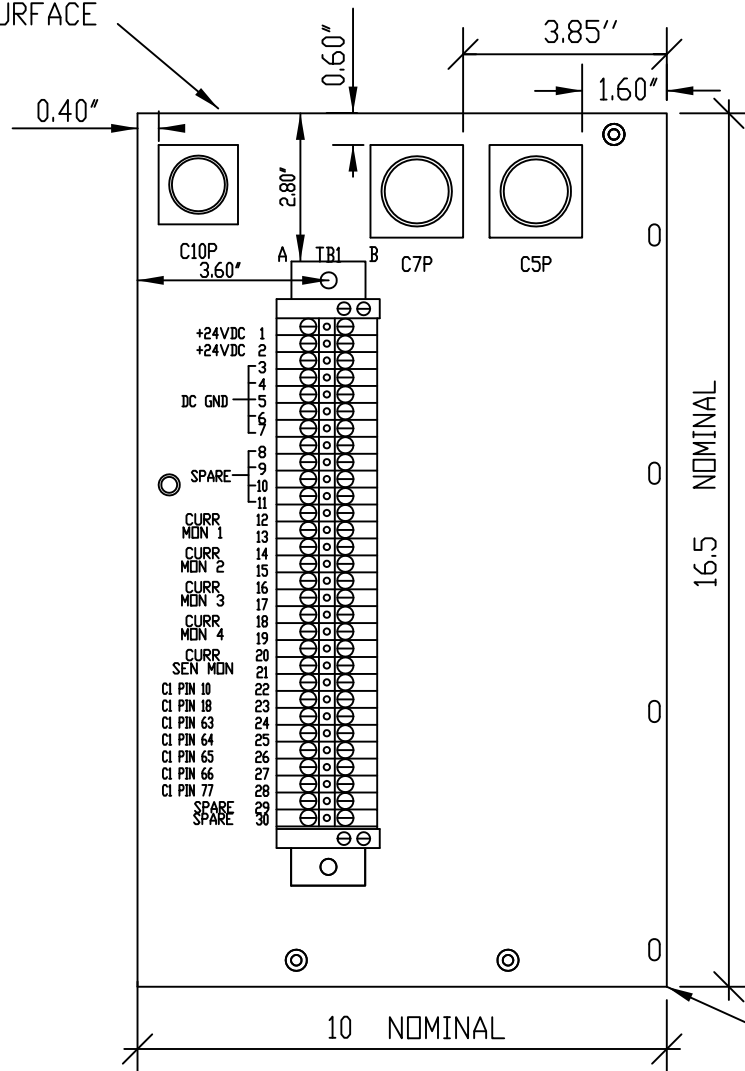


NOTES:

The EXT GND, +12VDC and -12VDC test points shall be insulated binding posts. Required vents on sides and bottom of assembly.

Title: CONTROLLER ISOLATION ASSEMBLY (CIA)	
No Scale	
CMS 2020	A7-7

TOP OF EIA
MOUNTING SURFACE



16.5 NOMINAL

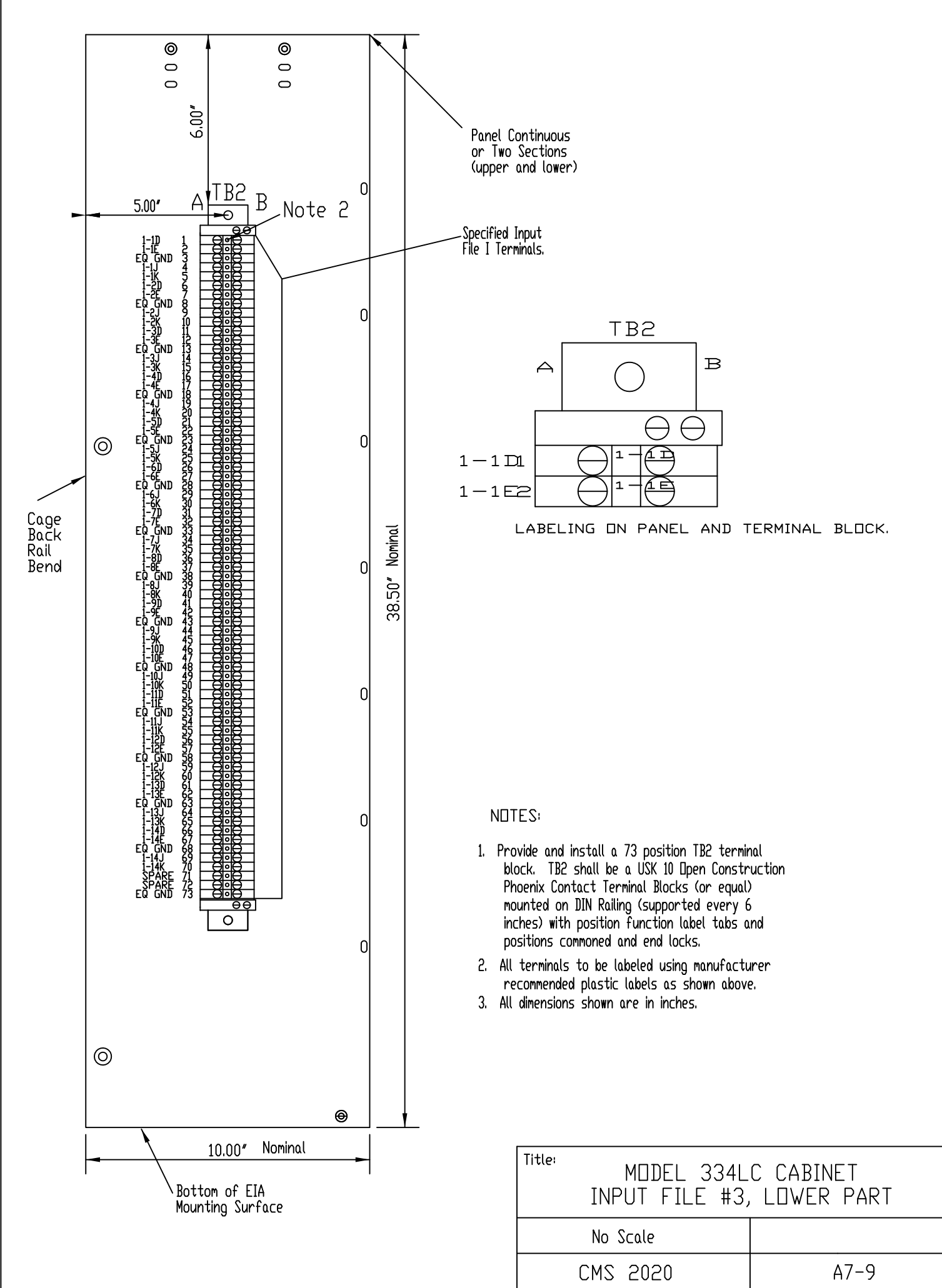
10 NOMINAL

Panel continuous
or two sections
(upper and lower)

NOTES:

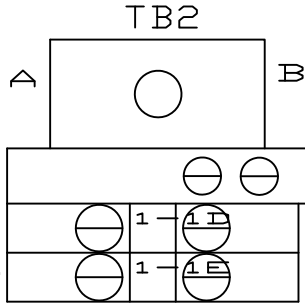
1. Provide and install a 30 position TB1 Terminal Block and three circular connectors, C5P, C7P and C10P (no contacts). TB1 shall be a USK 10 Open Construction Phoenix Contact Terminal Block (or equal) mounted on DIN Railing (supported every 6 inches with position function label tabs and positions commoned and end locks).
2. A 4 foot length "CMS" Harness of 14 #20 (or larger) Conductors shall be furnished and installed in the cabinet. One end of the harness shall be the C10S Connector resting in C10P (mounted on the Input Panel #3) when not in use. The other end shall be stripped (according to manufacturers requirements) and connected to the "B Side" of TB1. The conductor bundle shall have external protection.
3. All dimensions shown are in inches.

Title:	
MODEL 334LC CABINET INPUT FILE #3, UPPER PART	
No Scale	
CMS 2020	A7-8



Panel Continuous
or Two Sections
(upper and lower)

Specified Input
File I Terminals.



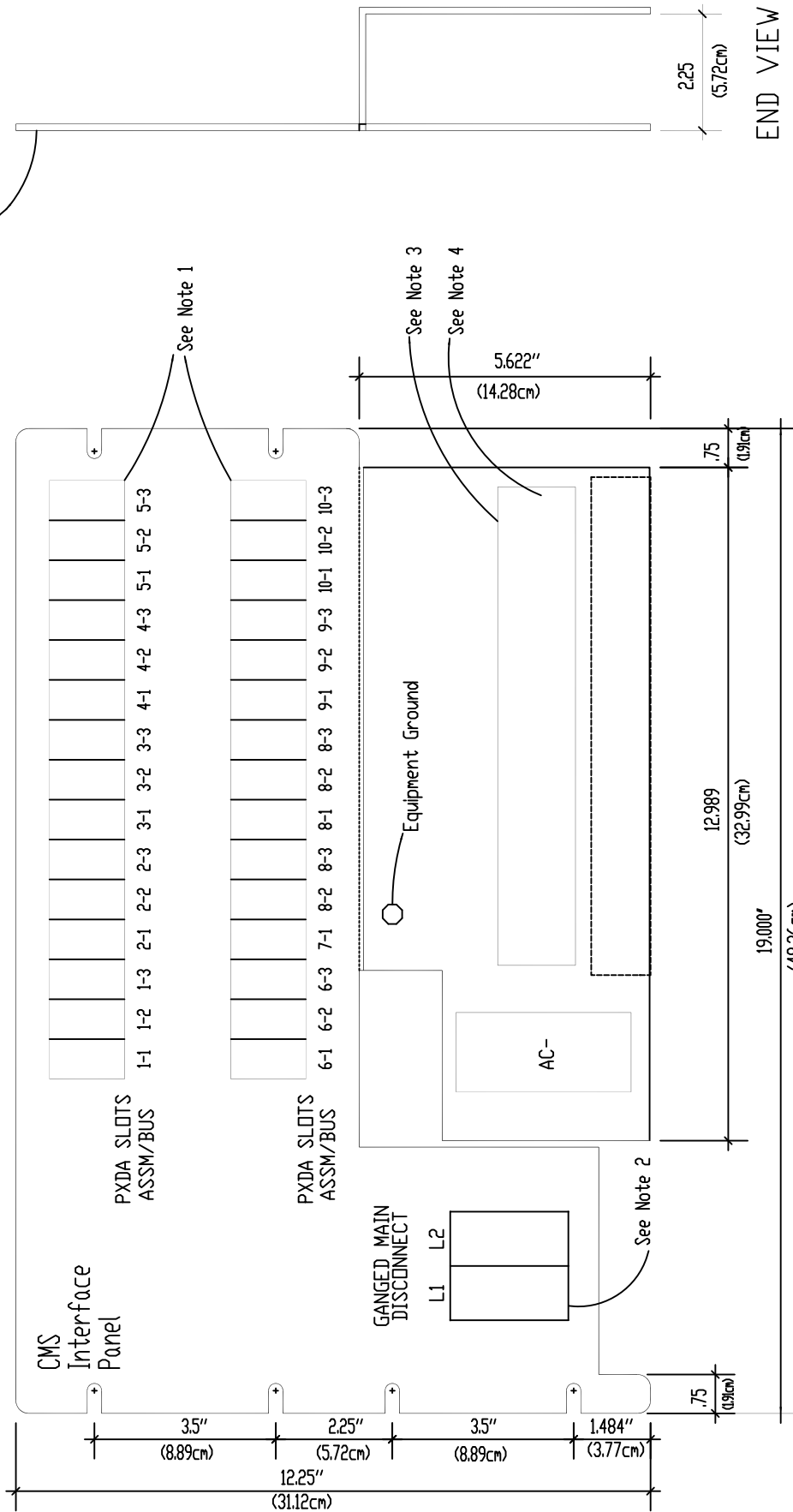
LABELING ON PANEL AND TERMINAL BLOCK.

NOTES:

1. Provide and install a 73 position TB2 terminal block. TB2 shall be a USK 10 Open Construction Phoenix Contact Terminal Blocks (or equal) mounted on DIN Railing (supported every 6 inches) with position function label tabs and positions commoned and end locks.
2. All terminals to be labeled using manufacturer recommended plastic labels as shown above.
3. All dimensions shown are in inches.

Title:		MODEL 334LC CABINET INPUT FILE #3, LOWER PART	
No Scale			
CMS 2020		A7-9	

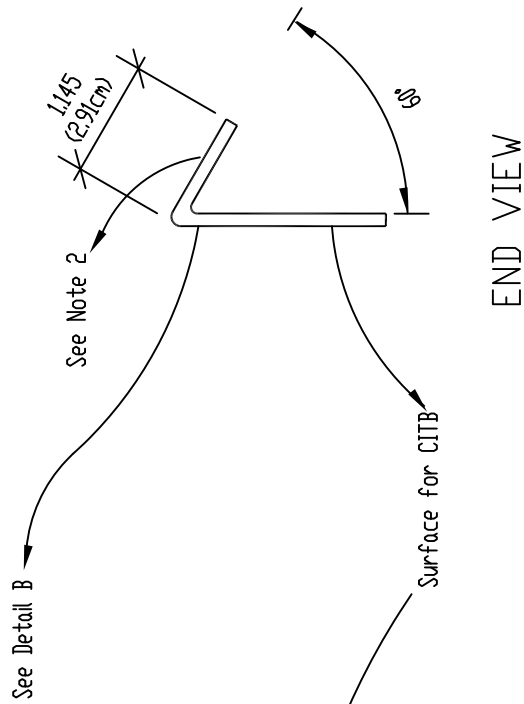
Front Panel



NOTES:

1. Total 30-20A Circuit Breakers
2. 2-30A Ganged Main Disconnect Switches
3. Opening for secondary side of CITB for Harness #3.
4. Opening for secondary side of AC- conductors.

TITLE: MODEL 500/510 CMS SYSTEM CMS INTERFACE PANEL FRONT AND SIDE VIEW	
No Scale	
CMS 2020	A7-10



END VIEW

DETAIL A
DIN BRACKET

ELEVATION VIEW

NOTES/KEY:

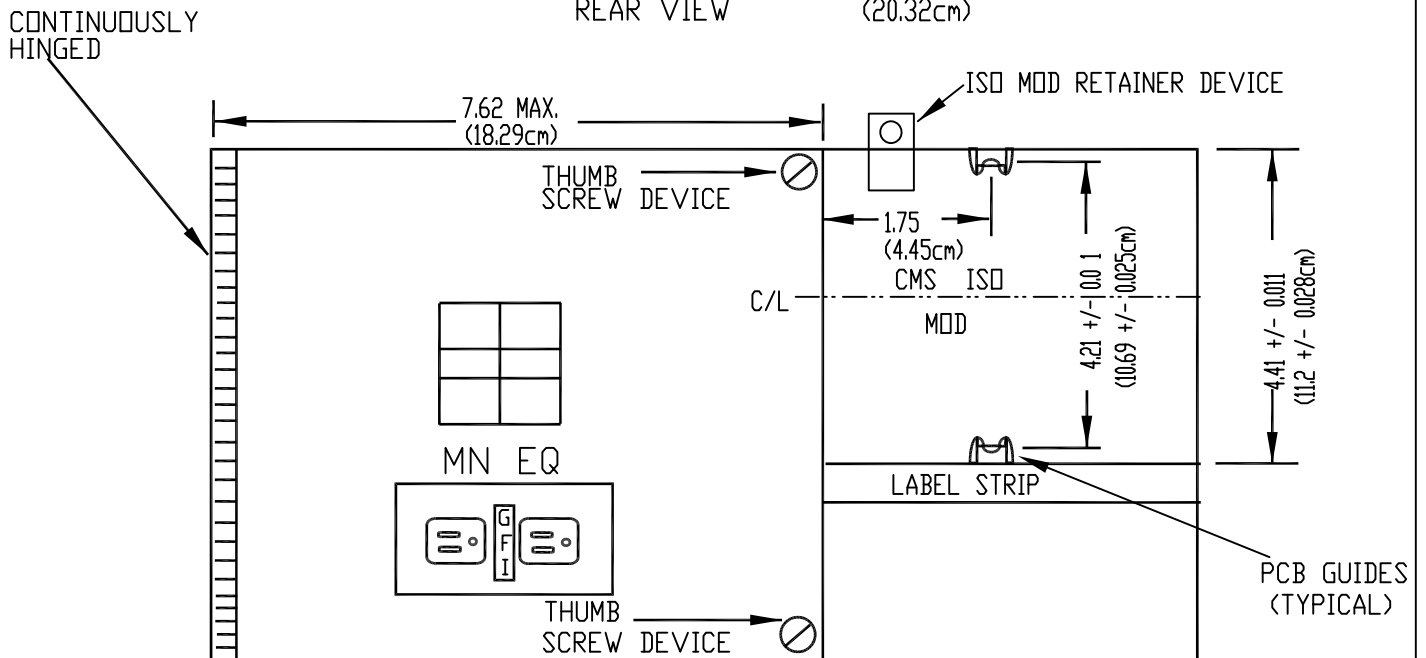
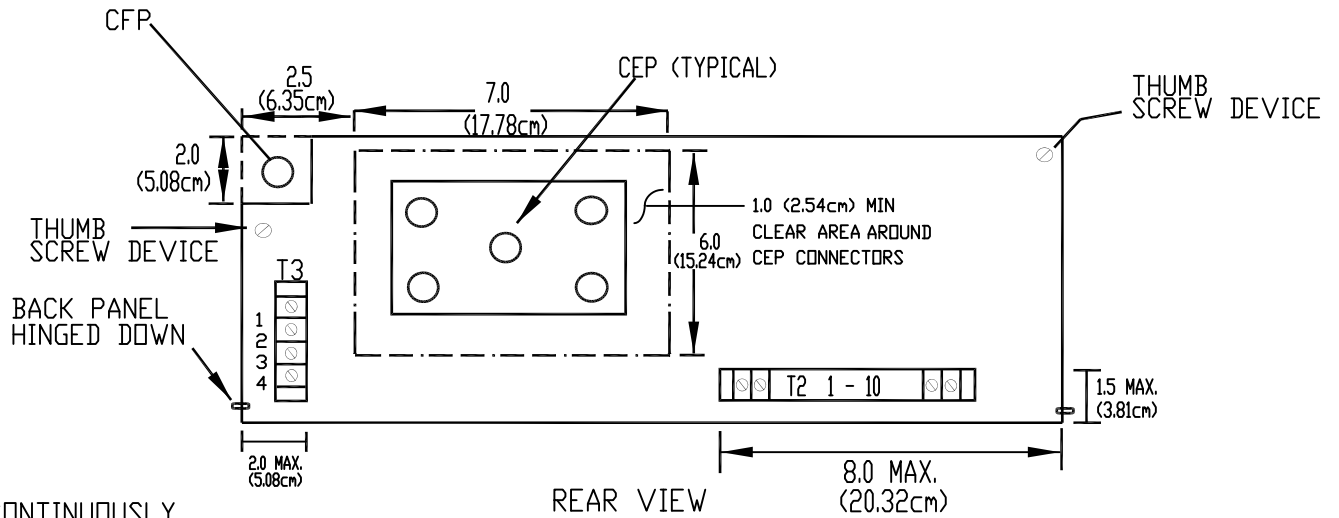
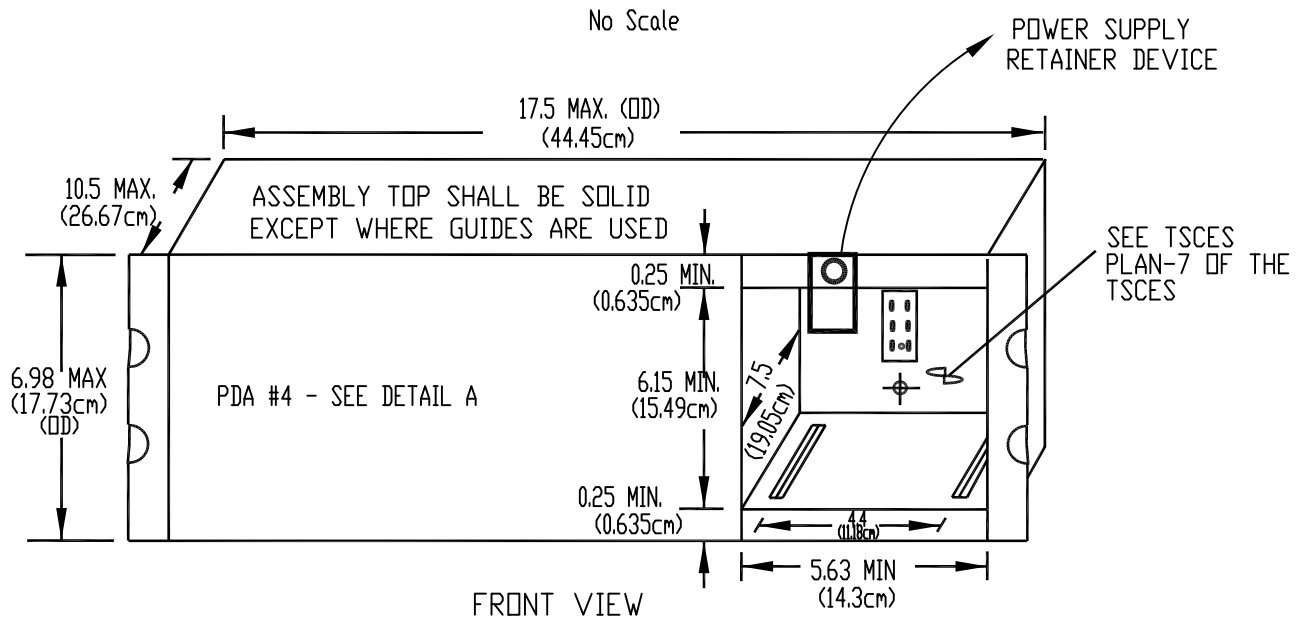
1. CITB- CMS Interface Terminal Block
2. This side of bracket to be mounted to CIP.

F	GND	1
CCM	1	1
CCM	1	1
CCM	2	2
CCM	2	2
CCM	3	3
CCM	3	3
CCM	4	4
CCM	4	4
F	GND	10
PDMA	1	11
GND		12
PDMA	2	13
PDMA	2	14
GND		15
PDMA	4	16
PXDAA	1	17
GND		18
PXDAA	2	19
PXDAA	3	20
GND		21
DIM		22
CLOCK		23
GND		24
ENABLE		25
CLEAR		26
GND		27
DATA	1	28
DATA	2	29
GND		30
DATA	3	31
DATA	4	32
GND		33
DATA	5	34
DATA	6	35
GND		36
DATA	7	37
DATA	8	38
GND		39
LATCH		40
TEST		41
GND		42
+12 VDC		43
-12 VDC		44

DETAIL B
DIN TERMINAL BLOCK AND LABELING

CITB

TITLE: MODEL 500/510 or 520 CMS SYSTEM CMS INTERFACE PANEL TERMINAL BLOCK CITB BRACKET AND LABELING	
No Scale	
CMS 2020	A7-11



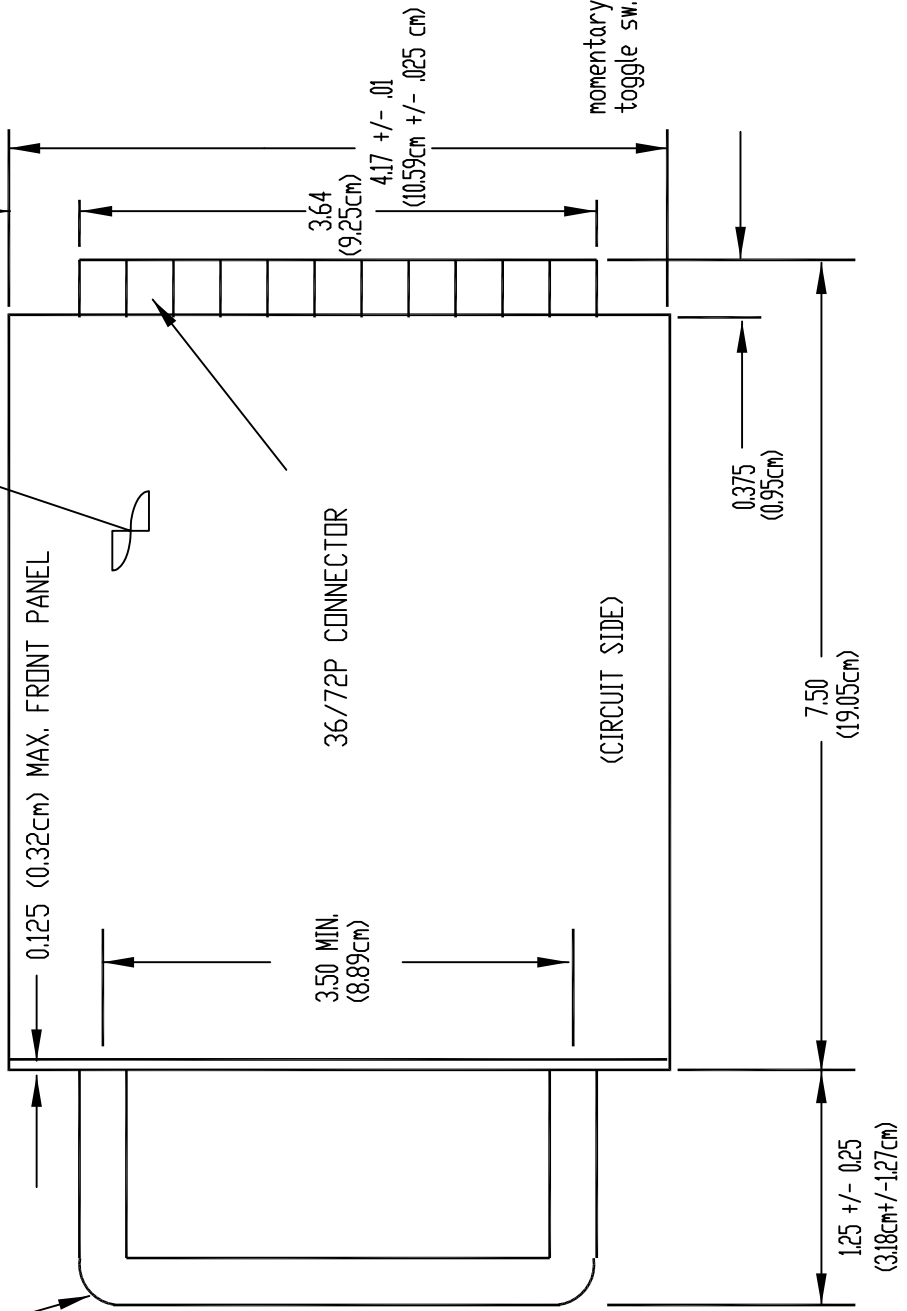
Title: PDA #4L POWER DISTRIBUTION ASSEMBLY	
No Scale	
CMS 2020	A7-12

PIN 1 LOCATION

COMPONENT SIDE OF PCB

U-SHAPED ROD HANDLE SHALL BE FABRICATED OF 0.18 (0.46cm) TO 0.26 DIAMETER STOCK TO FORM A HANDLE

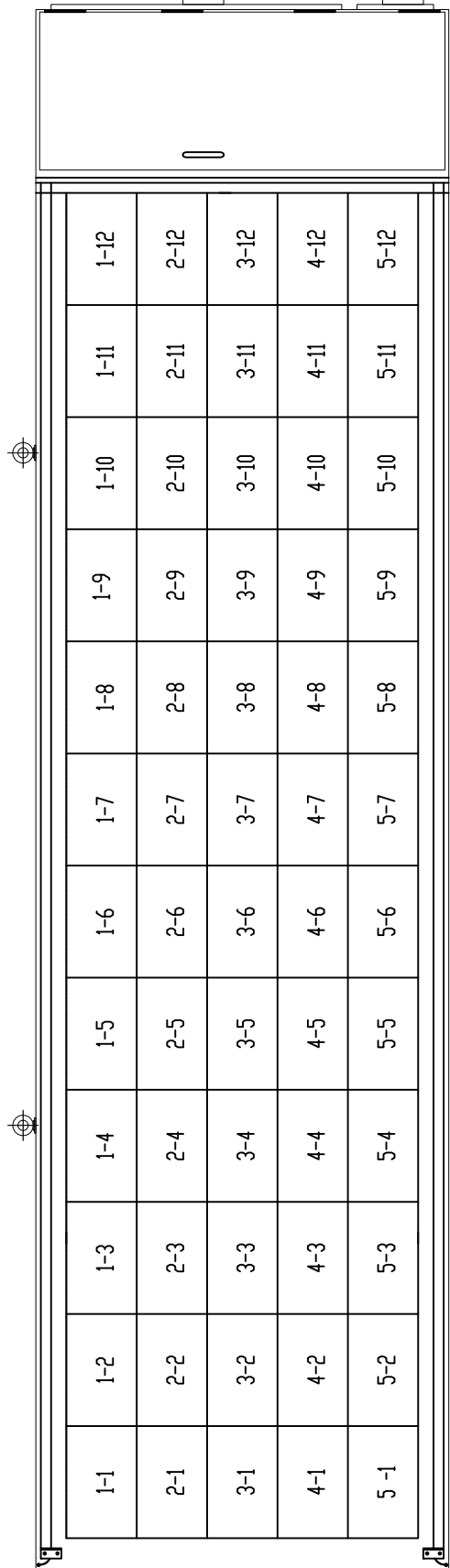
PCB



FRONT VIEW

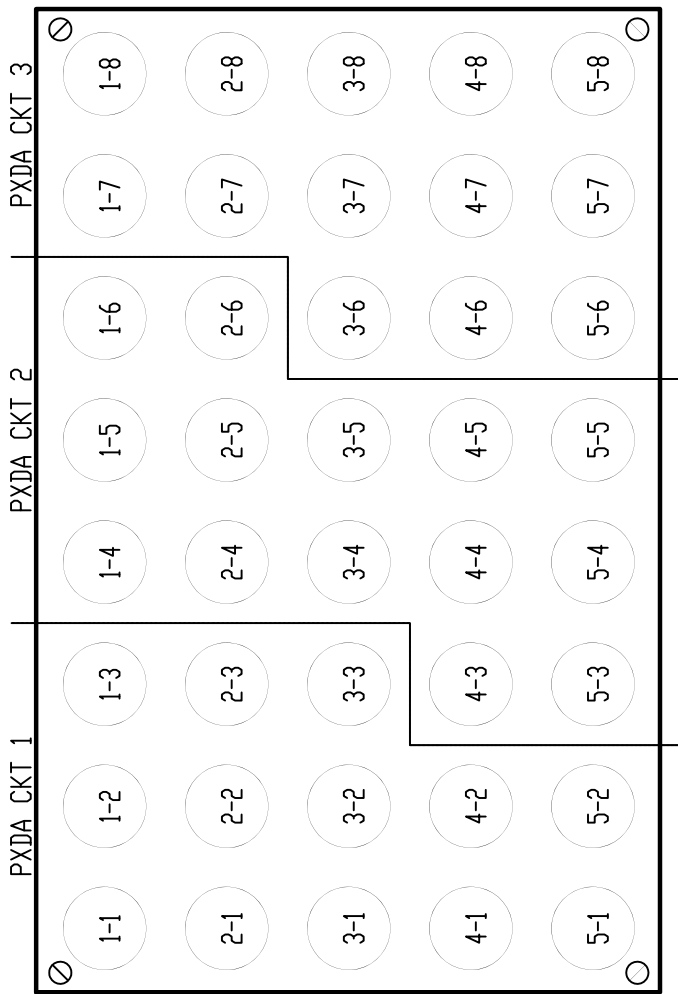
SIDE VIEW

Title: CMS ISOLATION MODULE	
No Scale	
CMS 2020	A7-13



PIXEL MATRIX MODULE ADDRESS CONFIGURATION

1-1	1-2	1-3	1-4	1-5	1-6	1-7	1-8	1-9	1-10	1-11	1-12
2-1	2-2	2-3	2-4	2-5	2-6	2-7	2-8	2-9	2-10	2-11	2-12
3-1	3-2	3-3	3-4	3-5	3-6	3-7	3-8	3-9	3-10	3-11	3-12
4-1	4-2	4-3	4-4	4-5	4-6	4-7	4-8	4-9	4-10	4-11	4-12
5-1	5-2	5-3	5-4	5-5	5-6	5-7	5-8	5-9	5-10	5-11	5-12



PIXEL MATRIX MODULE LAMP ASSIGNMENTS

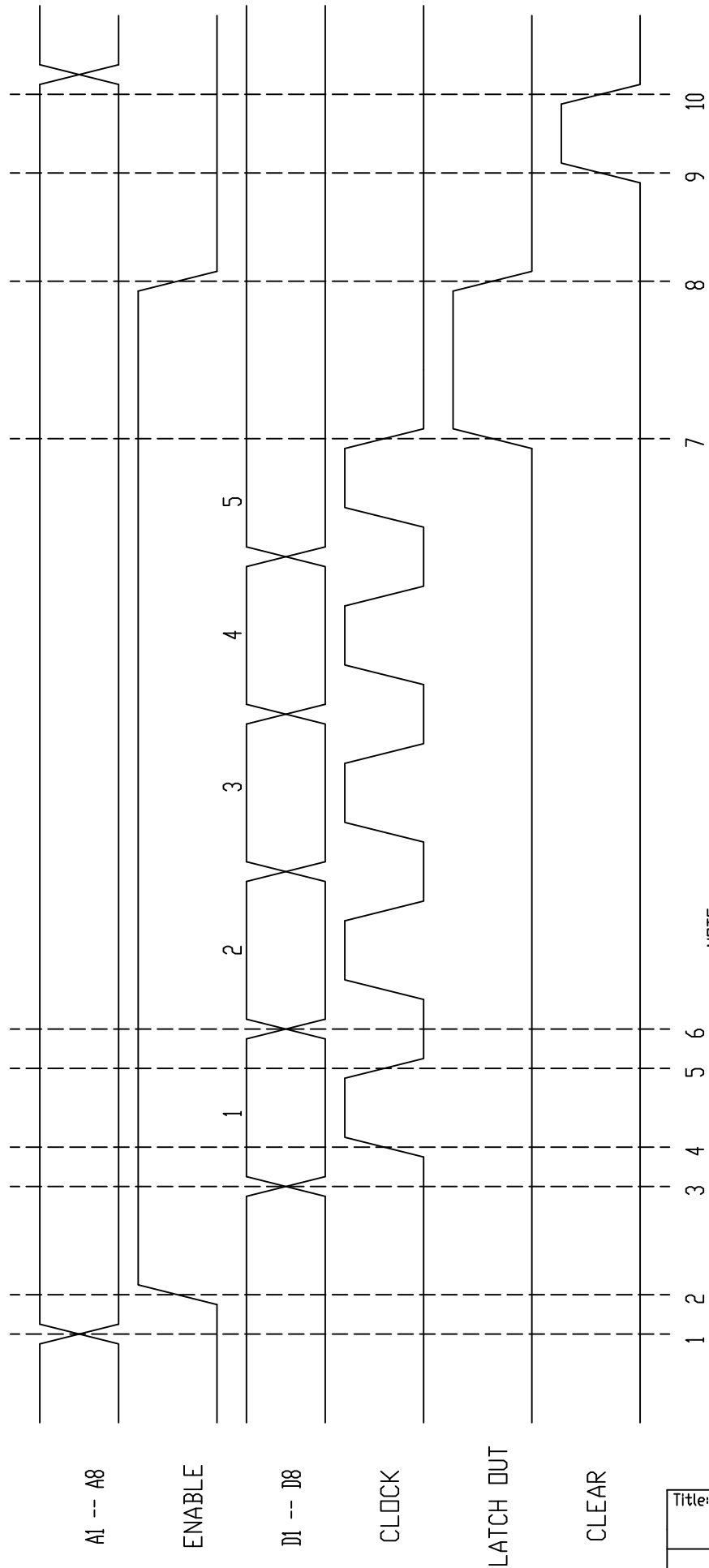
- NOTES:
- PIXEL MATRIX MODULE ADDRESS CONFIGURATION
1. 2-4 - PXDA2-PDM4
- PIXEL MATRIX MODULE PIXEL ASSIGNMENT
2. 4-7 - 4th byte of data, bit 7
 3. Column 8 is the Least Significant Bit (LSB)
 4. Column 1 is the Most Significant Bit (MSB)

TITLE:		MODEL 500/510 CMS SYSTEM ADDRESS AND PIXEL BIT CONFIGURATION	
No Scale			
CMS 2020		A7-14	

CMS DEVICE ADDRESS ASSIGNMENT

Device Designation	PXDA Address (3 bits)			LDM Slot Address (4 bits)			
	7	6	5	4	3	2	1
PXDA1 - PDM 1	0	0	1	0	0	0	1
PXDA1 - PDM 2	0	0	1	0	0	1	0
PXDA1 - PDM 3	0	0	1	0	0	1	1
PXDA1 - PDM 4	0	0	1	0	1	0	0
PXDA1 - PDM 5	0	0	1	0	1	0	1
PXDA1 - PDM 6	0	0	1	0	1	1	0
PXDA1 - PDM 7	0	0	1	0	1	1	1
PXDA1 - PDM 8	0	0	1	1	0	0	0
PXDA1 - PDM 9	0	0	1	1	0	0	1
PXDA1 - PDM 10	0	0	1	1	0	1	0
PXDA1 - PDM 11	0	0	1	1	0	1	1
PXDA1 - PDM 12	0	0	1	1	1	0	0
PXDA2 - PDM 1	0	1	0	0	0	0	1
PXDA2 - PDM 2	0	1	0	0	0	1	0
PXDA2 - PDM 3	0	1	0	0	0	1	1
PXDA2 - PDM 4	0	1	0	0	1	0	0
PXDA2 - PDM 5	0	1	0	0	1	0	1
PXDA2 - PDM 6	0	1	0	0	1	1	0
PXDA2 - PDM 7	0	1	0	0	1	1	1
PXDA2 - PDM 8	0	1	0	1	0	0	0
PXDA2 - PDM 9	0	1	0	1	0	0	1
PXDA2 - PDM 10	0	1	0	1	0	1	0
PXDA2 - PDM 11	0	1	0	1	0	1	1
PXDA2 - PDM 12	0	1	0	1	1	0	0
PXDA3 - PDM 1	0	1	1	0	0	0	1
PXDA3 - PDM 2	0	1	1	0	0	1	0
PXDA3 - PDM 3	0	1	1	0	0	1	1
PXDA3 - PDM 4	0	1	1	0	1	0	0
PXDA3 - PDM 5	0	1	1	0	1	0	1
PXDA3 - PDM 6	0	1	1	0	1	1	0
PXDA3 - PDM 7	0	1	1	0	1	1	1
PXDA3 - PDM 8	0	1	1	1	0	0	0
PXDA3 - PDM 9	0	1	1	1	0	0	1
PXDA3 - PDM 10	0	1	1	1	0	1	0
PXDA3 - PDM 11	0	1	1	1	0	1	1
PXDA3 - PDM 12	0	1	1	1	1	0	0
PXDA4 - PDM 1	1	0	0	0	0	0	1
PXDA4 - PDM 2	1	0	0	0	0	1	0
PXDA4 - PDM 3	1	0	0	0	0	1	1
PXDA4 - PDM 4	1	0	0	0	1	0	0
PXDA4 - PDM 5	1	0	0	0	1	0	1
PXDA4 - PDM 6	1	0	0	0	1	1	0
PXDA4 - PDM 7	1	0	0	0	1	1	1
PXDA4 - PDM 8	1	0	0	1	0	0	0
PXDA4 - PDM 9	1	0	0	1	0	0	1
PXDA4 - PDM 10	1	0	0	1	0	1	0
PXDA4 - PDM 11	1	0	0	1	0	1	1
PXDA4 - PDM 12	1	0	0	1	1	0	0
PXDA5 - PDM 1	1	0	1	0	0	0	1
PXDA5 - PDM 2	1	0	1	0	0	1	0
PXDA5 - PDM 3	1	0	1	0	0	1	1
PXDA5 - PDM 4	1	0	1	0	1	0	0
PXDA5 - PDM 5	1	0	1	0	1	0	1
PXDA5 - PDM 6	1	0	1	0	1	1	0
PXDA5 - PDM 7	1	0	1	0	1	1	1
PXDA5 - PDM 8	1	0	1	1	0	0	0
PXDA5 - PDM 9	1	0	1	1	0	0	1
PXDA5 - PDM 10	1	0	1	1	0	1	0
PXDA5 - PDM 11	1	0	1	1	0	1	1
PXDA5 - PDM 12	1	0	1	1	1	0	0

TITLE:	
CMS DEVICE ADDRESS ASSIGNMENT	
No Scale	
CMS 2020	A7-15



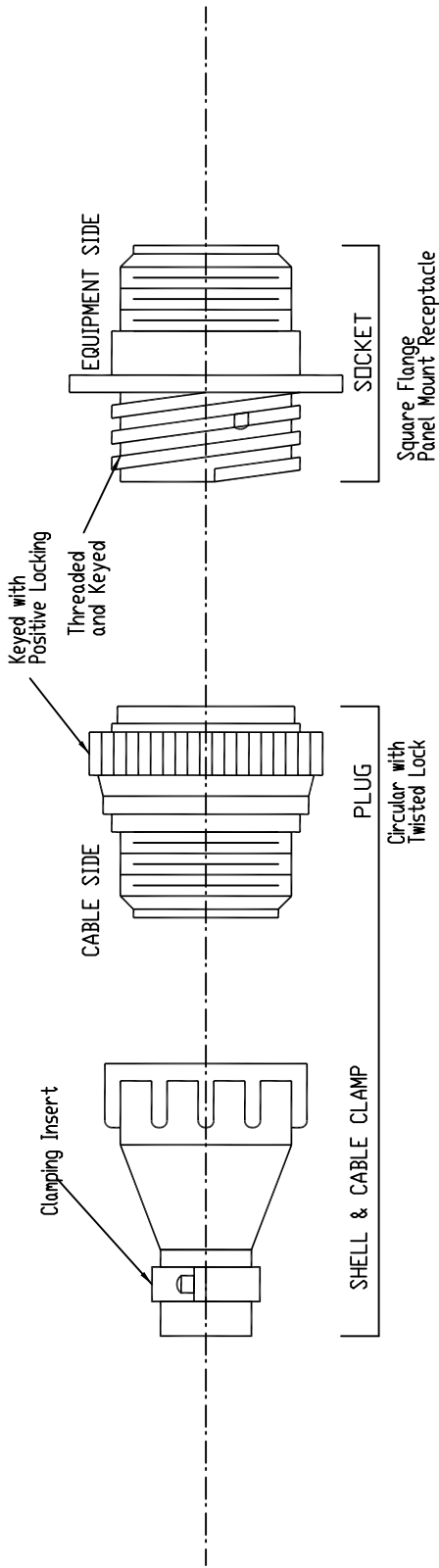
NOTE:

Logic is Ground True. For this detail, up is True(1) and down is False(0). Rise and Fall timer shall stabilize within 10μ seconds.

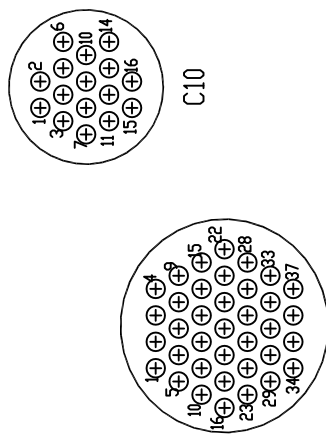
SEQUENCE OF OPERATION

1. Place Address on Address Lines.
2. Set the Enable Line to True.
3. Begin Data transfer loop, place Data on Data Lines. First word/Fifth row onto Fifth word/First row of Pixels.
4. Set the Clock Line to True. The leading edge will shift data in shift register.
5. Set the Clock Line to False.
6. Place the next Data on the Data Lines and loop until all 5 bytes of data are transferred.
7. The trailing edge of the Clock Line will cause the Latch Line to go True.
8. Set the Enable Line to False. The Latch Line will go False.
9. Set the Clear Line to True. This will turn off Pixel Load Triacs and transfer data from shift registers to output latches.
10. Set the Clear Line to False. This enables Pixel Load Triacs with new message.

Title: CMS TIMING DIAGRAM	
No Scale	
CMS-2009	A7-16

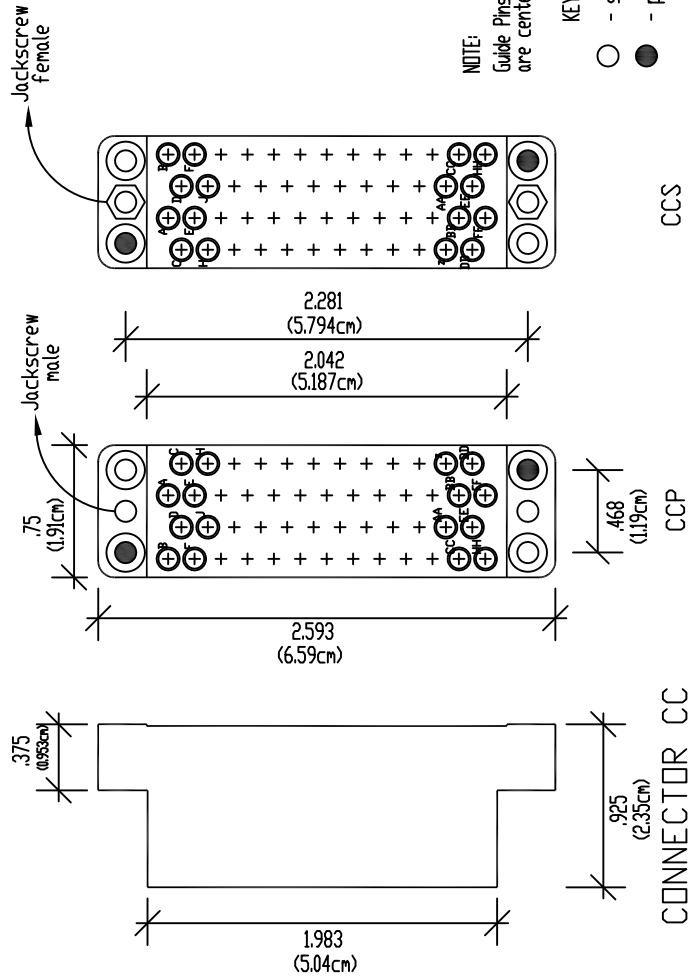


CONNECTORS CA, CB, CD, CE, CF, C7, C8, C9, & C10



CA, CB, CD, CE, CF, C7, C8 & C9

CONNECTOR PIN ARRANGEMENT



NOTE:
Guide Pins & Sockets, and Jackscrews
are centered symmetrical to connector.

KEY:
○ - socket
● - pin (male)

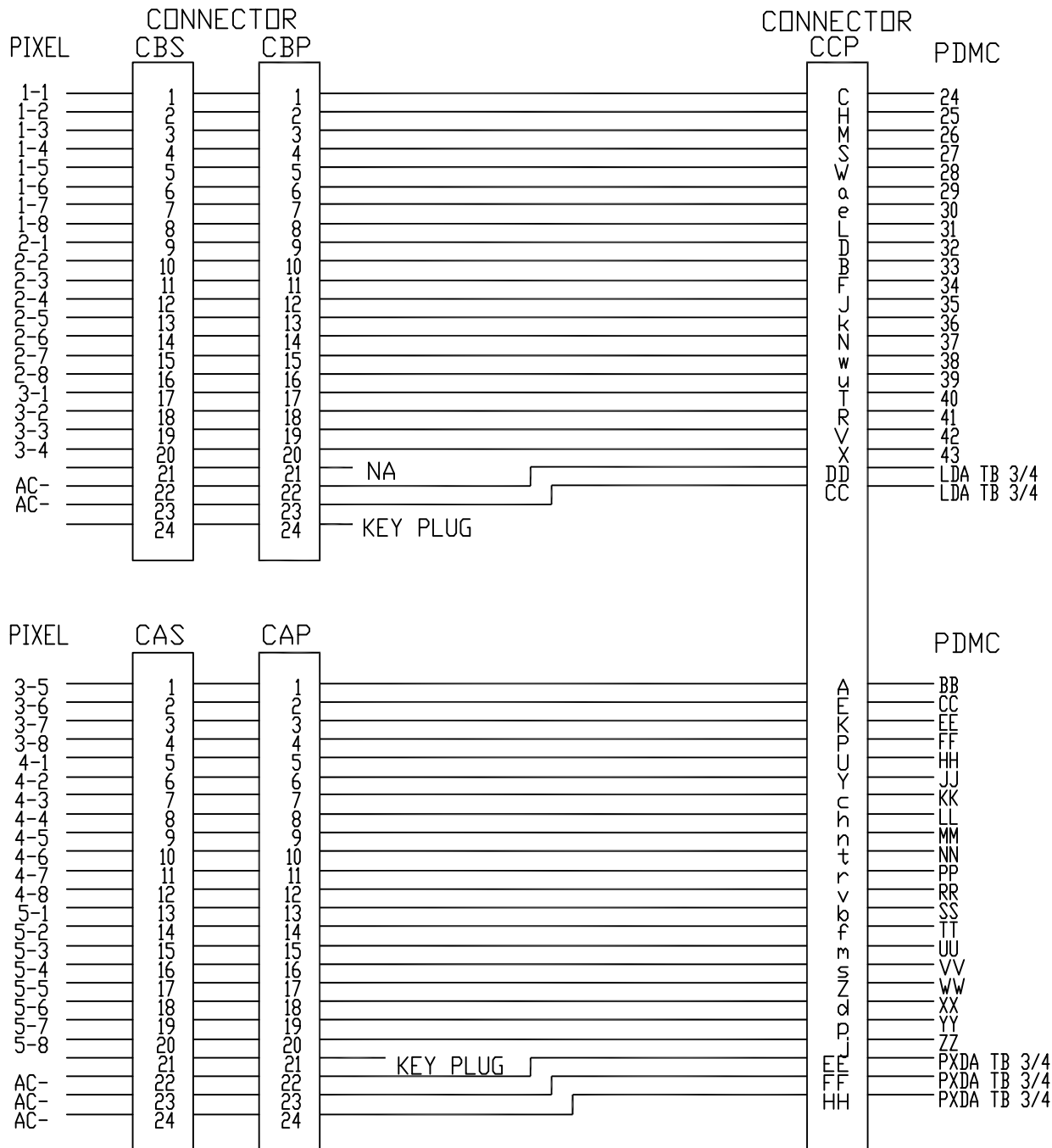
Title: MODEL 500/510 or 520 CMS SYSTEM
CONNECTOR DETAIL

No Scale

CMS 2020

A7-17

Harness #1



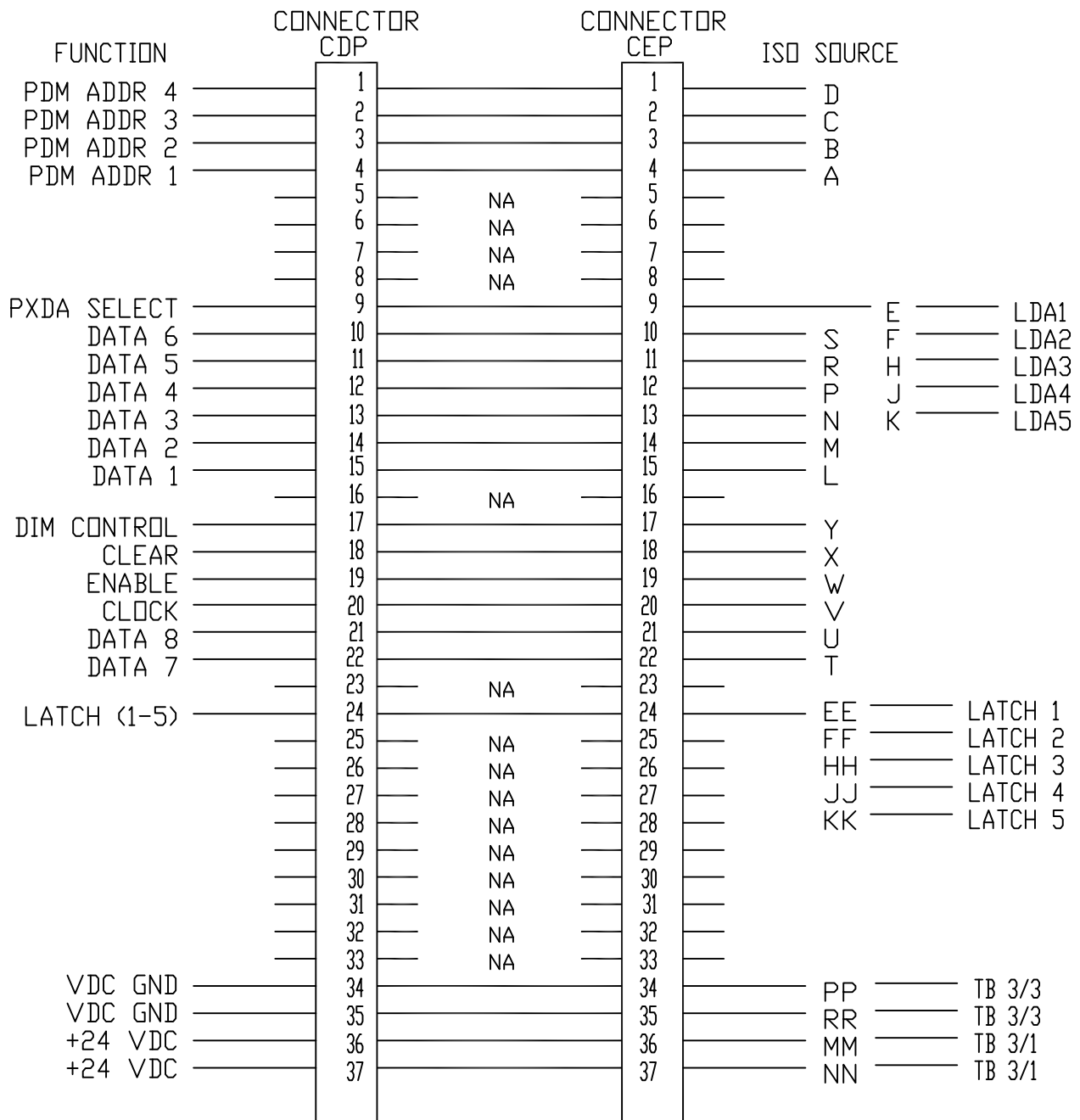
NOTES:

Diagram is for interconnection between Pixel Matrix Module and Pixel Driver Assembly.
 Pins x,y,z and AA are Not Assigned on CC connector.

- PDMC 24 - Pixel Driver Module Connector pin 24
- PXDA TB 3 - Pixel Driver Assembly Terminal Block position 3
- NA - Not Assigned

Title: HARNESS #1 WIRING DIAGRAM	
CAP/CBP TO CCP PIN ASSIGNMENTS	
No Scale	
CMS 2020	A7-18

Harness #2



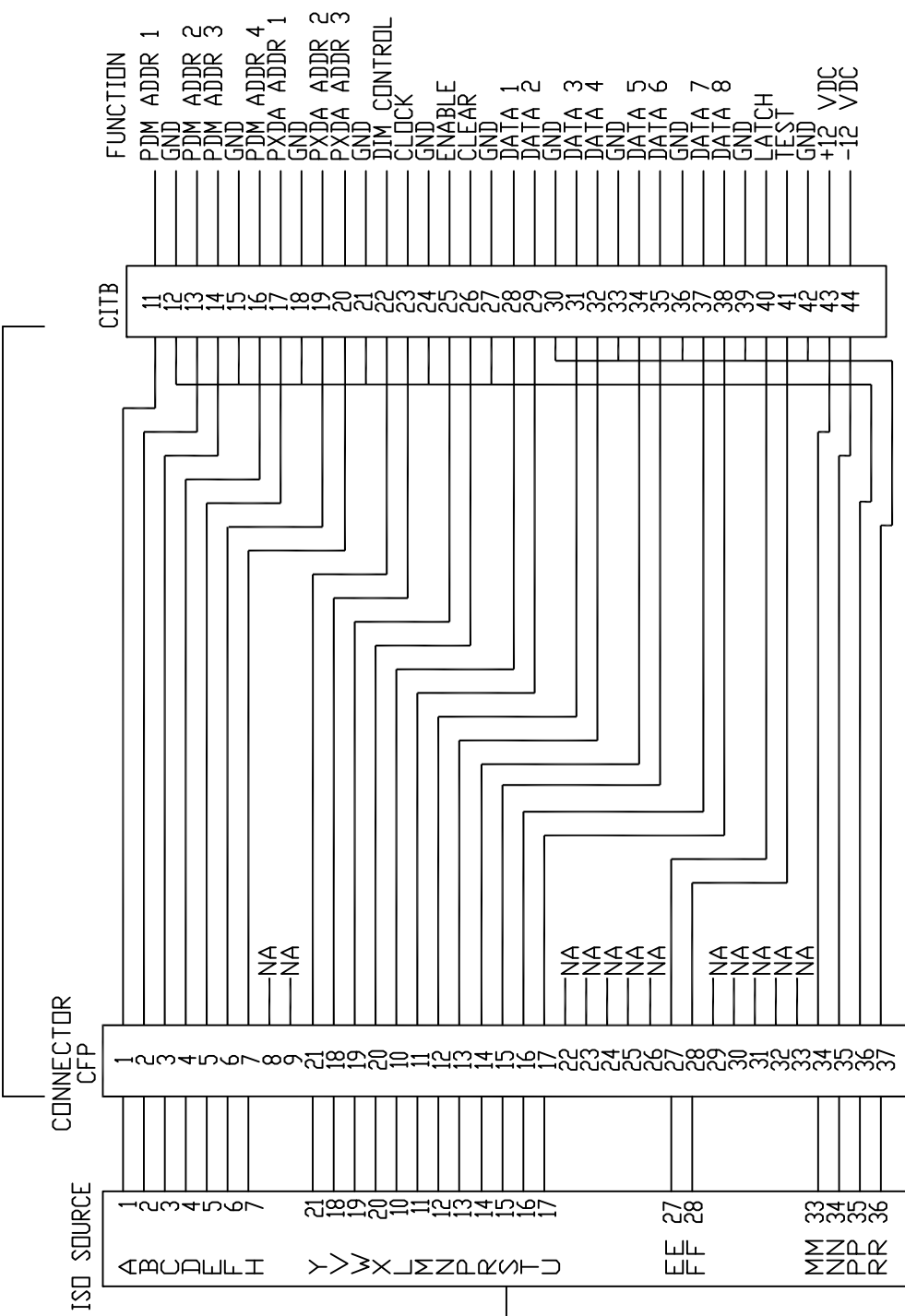
NOTES:

Diagram is for interconnection between Pixel Driver Assembly and PDA #3
 ISO-54, LATCH 1 pertains to PXDA 1; ISO-56, LATCH 2 pertains to PXDA 2, etc.

ISO SOURCE-60 - Isolation Module Connector pin 60
 PXDA TB 3 - Pixel Driver Assembly Terminal Block position 3
 NA - Not Assigned

Title:	
HARNESS #2 WIRING DIAGRAM CDP to CEP Pin Assignments	
No Scale	
CMS 2020	A7-19

Harness #3



See Harness #2 Wiring Diagram

NOTES:

Diagram is for interconnection between PDA #3 to secondary side of CITB on the CIP.
 Harness #3 connection ends on secondary side of CITB shall be stripped and connected to manufacturer specifications.

- ISD SOURCE-35 - Isolation Module Connector pin 35
- CITB - CMS Interface Terminal Block
- NA - Not Assigned

Title:	
HARNESS #3 WIRING DIAGRAM CFP to CITB Pin Assignments	
No Scale	
CMS-2009	A7-20

**CONTROLLER INTERFACE PANEL
 TERMINAL BLOCK (CITB)**

**CAB/CIA
 CONNECTORS**

HARNESS NO. 4

TERMINAL BLOCK	POSITION	FUNCTION	CONNECTOR	PIN
CITB.....	11	PDMAddr 1	C8.....	1
CITB.....	13	PDMAddr 2	C8.....	3
CITB.....	14	PDMAddr 3	C8.....	5
CITB.....	16	PDMAddr 4	C8.....	7
CITB.....	17	PXDA Addr 1	C8.....	9
CITB.....	19	PXDA Addr 2	C8.....	11
CITB.....	20	PXDA Addr 3	C8.....	13
CITB.....	22	DIM CONTROL	C9.....	7
CITB.....	23	CLOCK	C9.....	1
CITB.....	25	ENABLE	C9.....	3
CITB.....	26	CLEAR	C9.....	5
CITB.....	12,15,18,21,24,27	EXT VDC GND	C8.....	*
CITB.....	28	DATA 1	C8.....	19
CITB.....	29	DATA 2	C8.....	21
CITB.....	31	DATA 3	C8.....	23
CITB.....	32	DATA 4	C8.....	25
CITB.....	34	DATA 5	C8.....	27
CITB.....	35	DATA 6	C8.....	29
CITB.....	37	DATA 7	C8.....	31
CITB.....	38	DATA 8	C8.....	33
CITB.....	40	LATCH LINE	C9.....	13
CITB.....	41	TEST	C9.....	15
CITB.....	43	EXT +12 VDC	C9.....	34
CITB.....	44	EXT -12 VDC	C9.....	35
CITB.....	30,33,36,39,42	EXT VDC GND	C8 & 9.....	*

HARNESS NO. 5

TERMINAL BLOCK	POSITION	FUNCTION	CONNECTOR-PIN
CITB	1 & 10	EQUIP. GROUND	
CITB	2 & 3	CURRENT MONITOR 1	TB1A-12&13/C10-1&2
CITB	4 & 5	CURRENT MONITOR 2	TB1A-14&15/C10-3&4
CITB	6 & 7	CURRENT MONITOR 3	TB1A-16&17/C10-5&6
CITB	8 & 9	CURRENT MONITOR 4	TB1A-18&19/C10-7&8

* VDC LOGIC GND WIRES, (refer to page 8-7-28).

DEFINITIONS: PDM Addr 1 - Lamp Driver Module Address Line 1.
 PXDA Addr 1 - Lamp Driver Assembly Address Line 1.

TITLE:	
CMS HARNESS #4 & #5 WIRING LIST	
No Scale	
CMS 2020	A7-21

CMS HARNESS #4
COLOR CODED WIRING LIST

FUNCTION	CIP/CITB POSITION	COLOR PAIRS (gnd w/logic)	CONNECTOR-PINS (logic, gnd)
PDM Addr 1	11	BLACK W/RED	C8-1,2
PDM Addr 2	13	BLACK W/WHITE	C8-3,4
PDM Addr 3	14	BLACK W/GREEN	C8-5,6
PDM Addr 4	16	BLACK W/BLUE	C8-7,8
PXDA Addr 1	17	BLACK W/YELLOW	C8-9,10
PXDA Addr 2	19	BLACK W/BROWN	C8-11,12
PXDA Addr 3	20	BLACK W/ORANGE	C8-13,14
DIM CONTROL	22	RED W/WHITE	C9-7,8
CLOCK	23	RED W GREEN	C9-1,2
ENABLE	25	RED W/BLUE	C9-3,4
CLEAR	26	RED W/YELLOW	C9-5,6
DATA 1	28	RED W/BROWN	C8-19,20
DATA 2	29	RED W/ORANGE	C8-21,22
DATA 3	31	GREEN W/WHITE	C8-23,24
DATA 4	32	GREEN W/BLUE	C8-25,26
DATA 5	34	GREEN W/YELLOW	C8-27,28
DATA 6	35	GREEN W/BROWN	C8-29,30
DATA 7	37	GREEN W/ORANGE	C8-31,32
DATA 8	38	WHITE W/BLUE	C8-33,34
LATCH LINE	40	WHITE W/YELLOW	C9-13,14
TEST	41	WHITE W/BROWN	C9-15,16
EXT +12 VDC	43	WHITE W/ORANGE	C9-34,36
EXT -12 VDC	44	BLUE W/YELLOW	C9-35,37

*CIP/CITB VDC LOGIC GND POSITIONS: 12, 15, 18, 21, 24, 27, 30, 33, 36, 39, 42

**CMS HARNESS # 5
COLOR CODED WIRING LIST**

FUNCTION	CIP/CITB POSITION	COLOR PAIRS	CONNECTOR (TB1A-C10)
CURR. MONITOR 1	2 & 3	BLACK W/RED	12&13-1&2
CURR. MONITOR 2	4 & 5	BLACK W/WHITE	14&15-3&4
CURR. MONITOR 3	6 & 7	BLACK W/GREEN	16&17-5&6
CURR. MONITOR 4	8 & 9	BLACK W/BLUE	18&19-7&8

DEFINITIONS:

TB 1A-Terminal Block 1A in 334C cabinet.

TB 1A-C10: terminal block 1A position 1&2 connected to C10 connector pins 1&2.

Title: CMS HARNESS #4 & #5 COLOR CODED WIRING LIST	
No Scale	
CMS 2020	A7-22

MODEL 334LC CONTROLLER CABINET HARNESS NO. 5 AND TB1 WIRING LIST

CABINET TB1A TERMINAL BLOCK

POSITION	SIDE A	SIDE B	C10 CONNECTOR
1	+24 VDC (PDA 3)	I/O FILES	
2	+24 VDC (POS. 1)	CAB. HARNESS #5	PINS 13 & 14
3 - 7	DC GND (PDA 3)	C1 PINS 1 & 104, I/O FILES & CAB. HARNESS #5	
8 - 11	NA	NA	PINS 15 & 16
12 & 13	CURR. MONITOR 1*	CAB. HARNESS #5	PINS 1 & 2
14 & 15	CURR. MONITOR 2*	CAB. HARNESS #5	PINS 3 & 4
16 & 17	CURR. MONITOR 3*	CAB. HARNESS #5	PINS 5 & 6
18 & 19	CURR. MONITOR 4*	CAB. HARNESS #5	PINS 7 & 8
20 & 21	PHOTO SEN. MON.	CAB. HARNESS #5	PINS 9 & 10
22	C1 PIN 10	CIA CONTROL 4	PIN 11
23	C1 PIN 18	NA	
24	C1 PIN 63	NA	
25	C1 PIN 64	NA	
26	C1 PIN 65	POL. CONTROL SWITCH	
27	C1 PIN 66	POL. LIGHTS SWITCH	
28	C1 PIN 76	NA	
29	C1 PIN 77	NA	
30	NA	NA	

* Refers to CMS HARNESS #5.

NOTES: All C1 PINS refer to C1 HARNESS #2.

Title: CMS HARNESS #5 AND TB1 WIRING LIST	
No Scale	
CMS 2020	A7-23

MODEL 334LC CONTROLLER CABINET HARNESS #5 AND TB1 WIRING LIST

PIN	SOURCE	DESTINATION	FUNCTION	PIN	SOURCE	DESTINATION	FUNCTION
1	DC GND	TB1/3-7	DC GND BUS	53	I2-7	IFI-11F	RATE CODE 2
2	O1-1	C6-1	SWPK 1-RED	54	I2-8	IFI-11W	RATE CODE 1
3	O1-2	C6-2	SWPK 1-GRN	55	I3-1	IFI-4F	MAIN 9
4	O1-3	C6-3	SWPK 2-RED	56	I3-2	IFI-4W	MAIN 10
5	O1-4	C6-4	SWPK 2-YEL	57	I3-3	IFI-6F	MAIN 3
6	O1-5	C6-5	SWPK 2-GRN	58	I3-4	IFI-6W	MAIN 4
7	O1-6	C6-6	SWPK 3-RED	59	I3-5	IFI-7F	MAIN 5
8	O1-7	C6-7	SWPK 3-YEL	60	I3-6	IFI-7W	MAIN 6
9	O1-8	C6-8	SWPK 3-GRN	61	I3-7	IFI-8F	MAIN 11
10	O2-1	TB1/22	CIA CONTROL 4	62	I3-8	IFI-8W	MAIN 12
11	O2-2	C7-25	CMS CLOCK	63	I4-5	TB1/24	MAIN 17
12	O2-3	C7-26	CMS ENABLE	64	I4-6	TB1/25	MAIN 18
13	O2-4	C7-27	CMS CLEAR	65	I4-7	TB1/26	POL CONT'L SV
14	DC GND	IFI-15-4	INPUT DC GND	66	I4-8	TB1/27	POL LIGHTS SV
15	O2-5	C7-28	CMS DIM LEVEL 1	67	I5-1	C7-16	CIA SENSE 1
16	O2-6	C7-29	CMS DIM LEVEL 2	68	I5-2	C7-31	CIA SENSE 2
17	O2-7	C7-30	CMS DIM LEVEL 3	69	I5-3	C7-32	CIA SENSE 3
18	O2-8	TB1/23	--	70	I5-4	C7-33	CIA SENSE 4
19	O3-1	C7-9	CMS ADDRESS 1	71	I5-5	C7-34	CIA SENSE 5
20	O3-2	C7-10	CMS ADDRESS 2	72	I5-6	C7-35	CIA SENSE 6
21	O3-3	C7-11	CMS ADDRESS 3	73	I5-7	C7-36	CIA SENSE 7
22	O3-4	C7-12	CMS ADDRESS 4	74	I5-8	C7-37	CIA SENSE 8
23	O3-5	C7-13	CMS ADDRESS 5	75	I6-1	C7-5	CMS LATCH
24	O3-6	C7-14	CMS ADDRESS 6	76	I6-2	C7-6	PHASE FIRE
25	O3-7	C7-15	CMS ADDRESS 7	77	I6-3	TB1/29	MAIN 19
26	O3-8	C7-4	CIA CONTROL 5	78	I6-4	C7-8	CMS TEST REQ
27	O4-1	C7-17	CMS DATA 1	79	I6-5	IFI-10F	MAIN 15
28	O4-2	C7-18	CMS DATA 2	80	I6-6	IFI-9W	MAIN 14
29	O4-3	C7-19	CMS DATA 3	81	I6-7	IFI-9F	MAIN 13
30	O4-4	C7-20	CMS DATA 4	82	I6-8	IFI-10W	MAIN 16
31	O4-5	C7-21	CMS DATA 5	83	O6-1	C5-1	SWPK 14-RED
32	O4-6	C7-22	CMS DATA 6	84	O6-2	C5-2	SWPK 14-GRN
33	O4-7	C7-23	CMS DATA 7	85	O6-3	C5-3	SWPK 13-RED
34	O4-8	C7-24	CMS DATA 8	86	O6-4	C5-4	SWPK 13-YEL
35	O5-1	C7-1	CIA CONTROL 1	87	O6-5	C5-5	SWPK 13-GRN
36	O5-2	C7-2	CIA CONTROL 2	88	O6-6	C5-6	SWPK 12-RED
37	O5-3	C6-9	SWPK 1-YEL	89	O6-7	C5-7	SWPK 12-YEL
38	O5-4	C7-3	CIA CONTROL 3	90	O6-8	C5-8	SWPK 12-GRN
39	I1-1	IFI-1W	PASSAGE 1	91	O7-1	C5-9	SWPK 11-RED
40	I1-2	IFI-12W	PASSAGE 2	92	DC GND	TB1/3-7	--
41	I1-3	IFI-12F	DEMAND 2	93	O7-2	C5-10	SWPK 11-GRN
42	I1-4	IFI-13W	OFF RAMP 2	94	O7-3	C5-11	SWPK 10-RED
43	I1-5	IFI-13F	QUE 2	95	O7-4	C5-12	SWPK 10-YEL
44	I1-6	IFI-14W	PASSAGE 3	96	O7-5	C4-13	SWPK 10-GRN
45	I1-7	IFI-14F	DEMAND 3	97	O7-6	C5-14	SWPK 9-RED
46	I1-8	IFI-1F	DEMAND 1	98	O7-7	C5-15	SWPK 9-YEL
47	I2-1	IFI-2W	OFF RAMP 1	99	O7-8	C5-16	SWPK 9-GRN
48	I2-2	IFI-3W	MAIN 7	100	O5-5	C5-17	SWPK 14-YEL
49	I2-3	IFI-3F	MAIN 8	101	O5-6	C5-18	SWPK 11-YEL
50	I2-4	IFI-2F	QUE 1	102	O5-7	IFI-15-3	DET. RESET
51	I2-5	IFI-5F	MAIN 1	103	O5-8	C6-10	WDT
52	I2-6	IFI-5W	MAIN 2	104	DC GND	TB1/3-7	DC GND BUS

NOTES: C7S CONNECTOR PIN 7 is not assigned.
TB1/26 - TERMINAL BLOCK 1 POSITION 26.

Title: C1 HARNESS #2 WIRING LIST (Interconnection between CABINET and CONTROLLER)	
No Scale	
CMS 2020	A7-24

PDA NO.4L CMS ISO MOD & CFP CONNECTOR ASSIGNMENTS

CFP Connector

CMS Isolation Module

PIN	FUNCTION		PIN	PIN	FUNCTION	SOURCE	
1	PDM Addr 1	IN	1	2	PDM Addr 1	OUT CEX - 4	
2	PDM Addr 2	IN	3	4	PDM Addr 2	OUT CEX - 3	
3	PDM Addr 3	IN	5	6	PDM Addr 3	OUT CEX - 2	
4	PDM Addr 4	IN	7	8	PDM Addr 4	OUT CEX - 1	
5	PXDA Addr 1	IN	9	10	PXDA1 Select	OUT CEA - 9	
6	PXDA Addr 2	IN	11	12	PXDA2 Select	OUT CEB - 9	
7	PXDA Addr 3	IN	13	14	PXDA3 Select	OUT CEC - 9	
8	NA		15	16	PXDA4 Select	OUT CED - 9	
9	NA		17	18	PXDA5 Select	OUT CEE - 9	
10	Data 1	IN	19	20	Data 1	OUT CEX - 15	
11	Data 2	IN	21	22	Data 2	OUT CEX - 14	
12	Data 3	IN	23	24	Data 3	OUT CEX - 13	
13	Data 4	IN	25	26	Data 4	OUT CEX - 12	
14	Data 5	IN	27	28	Data 5	OUT CEX - 11	
15	Data 6	IN	29	30	Data 6	OUT CEX - 10	
16	Data 7	IN	31	32	Data 7	OUT CEX - 22	
17	Data 8	IN	33	34	Data 8	OUT CEX - 21	
18	CLOCK	IN	35	36	CLOCK	OUT CEX - 20	
19	ENABLE	IN	37	38	ENABLE	OUT CEX - 19	
20	CLEAR	IN	39	40	CLEAR	OUT CEX - 18	
21	Dim Control	IN	41	42	Dim Control	OUT CEX - 17	
22	NA			43		44 NA	
23	NA			45		46 NA	
24	NA			47		48 NA	
25	NA			49		50 NA	
26	NA			51		52 NA	
27	PXDA LATCH	OUT	53	54	PXDA 1 LATCH	IN CEA - 24	
28	TEST REQUEST			55	56	PXDA 2 LATCH	IN CEB -
29	NA		57	58	PXDA 3 LATCH	IN CEC - 24	
30	NA		59	60	PXDA 4 LATCH	IN CED - 24	
31	NA		61	62	PXDA 5 LATCH	IN CEE - 24	
32	NA		63	64	NA		
33	NA						
34	EXT +12 VDC		65	66	CMS +24 VDC	TB 3 / 1	
35	EXT -12 VDC		67	68	CMS +24 VDC	TB 3 / 1	
36	EXT VDC GND		69	70	CMS VDC GND	TB 3 / 3	
37	EXT VDC GND		71	72	CMS VDC GND	TB 3 / 3	

24

NOTES:

1. The CMS Isolation Module's PC socket connector pin location shall be positioned as viewed from the PDA No.4 front.
2. The CMS Isolation Module's card connector shall be keyed between pins 8 and 9.

DEFINITIONS:

- PDM Addr 1 - Pixel Driver Module Address Line 1.
- PXDA Addr 1 - Pixel Driver Assembly Address Line 1.
- CEX - 6 - Assigned to all 5 CE Connectors Pin 6.
- TB 3 / 1 - Terminal Block 3 Position No.1.
- Dim Control - Dimmer Control.
- PXDA 1 Select - PXDA No.1 Select Line.
- IN - Into Module and/or Connector.

Title: PDA #4L CMS ISO MOD & CFP CONNECTOR ASSIGNMENTS	
No Scale	
CMS 2020	A7-25

PDA #4L CMS CE(A & E)
 TERMINAL BLOCK
 CONNECTOR ASSIGNMENTS

CEP CONNECTORS

PIN	FUNCTION	SOURCE	PIN	FUNCTION
4	PDM Addr 1	ISO - 2	19	ENABLE
3	PDM Addr 2	ISO - 4	18	CLEAR
2	PDM Addr 3	ISO - 6	17	DIM CONTROL
1	PDM Addr 4	ISO - 8	22	NA
9	PXDA SELECT	ISO - 10 to 18	23	NA
6	NA		24	NA
7	NA		25	NA
8	NA		26	NA
9	NA		24	*PXDA 1 LATCH
15	DATA 1	ISO - 20	24	*PXDA 2 LATCH
14	DATA 2	ISO - 22	24	*PXDA 3 LATCH
13	DATA 3	ISO - 24	24	*PXDA 4 LATCH
12	DATA 4	ISO - 26	24	*PXDA 5
62			24	
11	DATA 5	ISO - 28	32	NA
10	DATA 6	ISO - 30	33	NA
22	DATA 7	ISO - 32	34	VDC GND
21	DATA 8	ISO - 34	35	VDC GND
20	CLOCK	ISO - 36	36	+ 24 VDC
			37	+ 24 VDC

TERMINAL BLOCKS

TB NO.	POSITION	SOURCE
T2	1	NA
T2	2	NA
T2	3	NA
T2	4	NA
T2	5	AC-
T2	6	FAN
T2	7	CB EQUIP.
T2	8	EQ. GND BUS
T2	9	MAIN
T2	10	AC-
T1 & T4	1 to 10	NA
T3	1 to 2	+ 24 VDC P.S.
T3	3 to 4	VDC GND P.S.

NOTE:

*Each Latch Line is a decoded line from the CMS ISO MOD and each line shall be connected to the appropriate CE Connector Pin per PXDA Assignment.

DEFINITIONS:

- ISO - A - CMS Isolation Module Connector Pin A.
- PXDA SELECT - PXDA Select Line.
- PDM Addr 1 - Lamp Driver Module Address Line 1.
- P.S. - Model 206 Power Supply.
- TB 3 / 1 - Terminal Block 3 Position 1.
- CB EQUIP - Equipment Circuit Breaker

Title: PDA #4L CMS CE (A to E) and TERMINAL BLOCK CONNECTOR ASSIGNMENTS	
No Scale	
CMS 2020	A7-26

PIXEL DRIVER MODULE
CONNECTOR ASSIGNMENTS

PIN	FUNCTION	SOURCE	PIN	FUNCTION	SOURCE
1	PDM Addr 1	CDX - 4	A	DATA 1	CDX -15
2	PDM Addr 2	CDX - 3	B	DATA 2	CDX -14
3	PDM Addr 3	CDX - 2	C	DATA 3	CDX -13
4	PDM Addr 4	CDX - 1	D	DATA 4	CDX -12
5	PXDA SELECT	CDX - 9	E	DATA 5	CDX -11
6	I.D. SLOT 1	PXDAM	F	DATA 6	CDX -10
7	I.D. SLOT 2	PXDAM	H	DATA 7	CDX -22
8	I.D. SLOT 3	PXDAM	J	DATA 8	CDX -21
9	I.D. SLOT 4	PXDAM	K	CLOCK	CDX -20
10	DC GND	CDX -34 to 35	L	ENABLE	CDX -19
11	NA		M	PXDA LATCH	CDX -24
12	NA		N	CLEAR	CDX -18
13	NA		P	+24 VDC	CDX -36 1
14	NA		R	DC GND	CDX -34 1
15	NA		S	DIM CONTROL	CDX -17
16	NA		T	NA	
17	NA		U	NA	
18	AC + 1	PXDA TB 1-1	V	AC + 1	PXDA TB
19	AC + 1	PXDA TB 1-1	W	AC + 1	PXDA TB
20	AC + 2	PXDA TB 1-2	X	AC + 2	PXDA TB
21	AC + 2	PXDA TB 1-2	Y	AC + 2	PXDA TB
22	AC + 3	PXDA TB 1-3	Z	AC + 3	PXDA TB
23	AC + 3	PXDA TB 1-3	AA	AC + 3	PXDA TB
24	CCS 1	P1-1	BB	CCS21	P3-5
25	CCS 2	P1-2	CC	CCS22	P3-6
26	CCS 3	P1-3	EE	CCS23	P3-7
27	CCS 4	P1-4	FF	CCS24	P3-8
28	CCS 5	P1-5	HH	CCS25	P4-1
29	CCS 6	P1-6	JJ	CCS26	P4-2
30	CCS 7	P1-7	KK	CCS27	P4-3
31	CCS 8	P1-8	LL	CCS28	P4-4
32	CCS 9	P2-1	MM	CCS29	P4-5
33	CCS 10	P2-2	NN	CCS30	P4-6
34	CCS 11	P2-3	PP	CCS31	P4-7
35	CCS 12	P2-4	RR	CCS32	P4-8
36	CCS 13	P2-5	SS	CCS33	P5-1
37	CCS 14	P2-6	TT	CCS34	P5-2
38	CCS 15	P2-7	UU	CCS35	P5-3
39	CCS 16	P2-8	VV	CCS36	P5-4
40	CCS 17	P3-1	WW	CCS37	P5-5
41	CCS 18	P3-2	XX	CCS38	P5-6
42	CCS 19	P3-3	YY	CCS39	P5-7
43	CCS 20	P3-4	ZZ	CCS40	P5-8

- NOTES:**
- The Pixel Driver Module Connector shall be a 43/86 Edge Connector.
 - AC+ 1, AC+ 2 and AC+ 3 and associated AC- Bus of T.B. A1 & 2 shall be routed to associated PDM connectors, T.B. A1 to PDM connectors 7 to 12 and T.B. A2 to PDM connectors 1 to 6.

- DEFINITIONS:**
- PDM Addr 1 - Pixel Driver Module Address Line 1.
 - PXDA SELECT - PXDA Address Enable Line.
 - PXDAM - PXDA Motherboard Network.
 - CDX - 1 - Assigned to all 5 CD Connectors (A to E) Pin 1.
 - CCS 1 - CC Socket Connector Pin 1.
 - P1-1 - Pixel 1-1 (As designated from Detail 8-7-14).
 - PXDA TB 1-2 - PXDA Terminal Block 1 Position 2.

Title: PIXEL DRIVER MODULE CONNECTOR ASSIGNMENTS	
No Scale	
CMS 2020	A7-27

CONTROLLER ISOLATION ASSEMBLY
CONNECTOR PIN ASSIGNMENTS FOR C8 AND C9 CONNECTORS

CONNECTOR	PIN	FUNCTION	CONNECTOR	PIN	FUNCTION
C8	1	PDM Addr 1	C9	1	CLOCK
C8	2	Ground	C9	2	Ground
C8	3	PDM Addr 2	C9	3	ENABLE
C8	4	Ground	C9	4	Ground
C8	5	PDM Addr 3	C9	5	CLEAR
C8	6	Ground	C9	6	Ground
C8	7	PDM Addr 4	C9	7	Dim Control Line
C8	8	Ground	C9	8	Ground
C8	9	PXDA Addr 1	C9	9	NA
C8	10	Ground	C9	10	NA
C8	11	PXDA Addr 2	C9	11	NA
C8	12	Ground	C9	12	NA
C8	13	PXDA Addr 3	C9	13	LATCH
C8	14	Ground	C9	14	Ground
C8	15	NA	C9	15	TEST
C8	16	NA	C9	16	Ground
C8	17	NA	C9	17	NA
C8	18	NA	C9	18	NA
C8	19	Data 1	C9	19	NA
C8	20	Ground	C9	20	NA
C8	21	Data 2	C9	21	NA
C8	22	Ground	C9	22	NA
C8	23	Data 3	C9	23	NA
C8	24	Ground	C9	24	NA
C8	25	Data 4	C9	25	NA
C8	26	Ground	C9	26	NA
C8	27	Data 5	C9	27	NA
C8	28	Ground	C9	28	NA
C8	29	Data 6	C9	29	NA
C8	30	Ground	C9	30	NA
C8	31	Data 7	C9	31	NA
C8	32	Ground	C9	32	NA
C8	33	Data 8	C9	33	NA
C8	34	Ground	C9	34	EXT +12 VDC
C8	35	NA	C9	35	EXT - 12 VDC
C8	36	NA	C9	36	Ground
C8	37	NA	C9	37	Ground

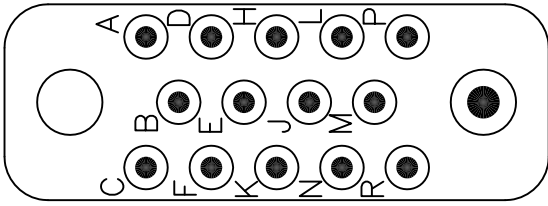
DEFINITIONS: Ground - DC Ground.

PDM Addr 1 - Pixel Driver Module Address Line 1.

PXDA Addr 1 - Pixel Driver Assembly Address Line 1.

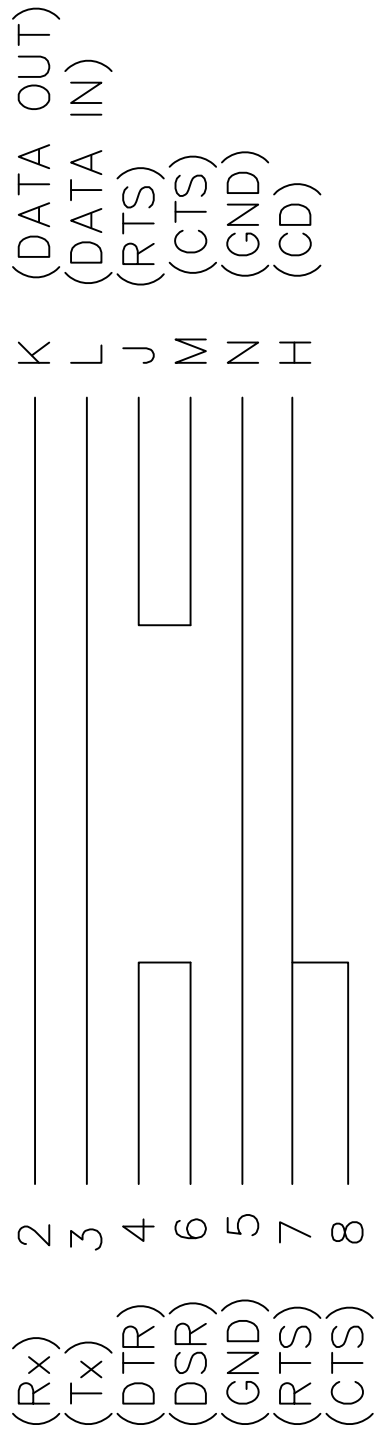
NOTE: C8 keyed at pin 17, and C9 keyed at pin 12.

Title: CONTROLLER ISOLATION ASSEMBLY CONNECTOR PIN ASSIGNMENT FOR C8 & C9 CONNECTORS	
No Scale	
CMS 2020	A7-28



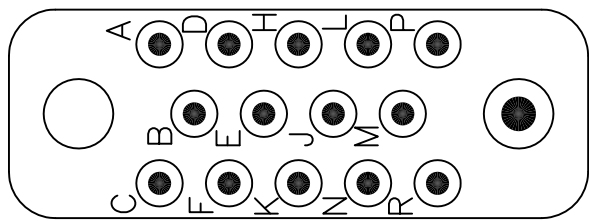
DB-9
CONNECTOR

C2
CONNECTOR



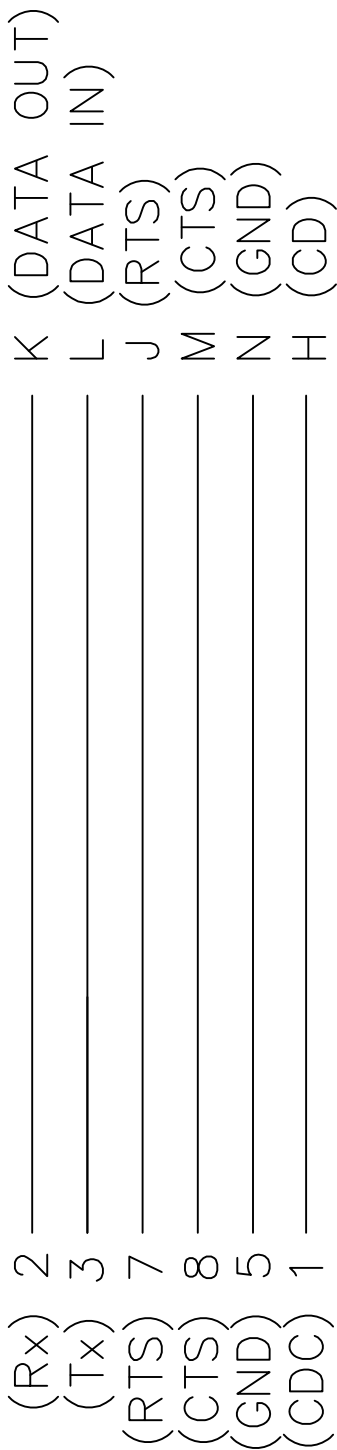
NOTE:
Pins Not Shown Are Not Connected.

TITLE: DIRECT MODE DB9 COMMUNICATIONS CABLE Between Laptop and 170 Controller	
No Scale	
CMS 2020	A7-29



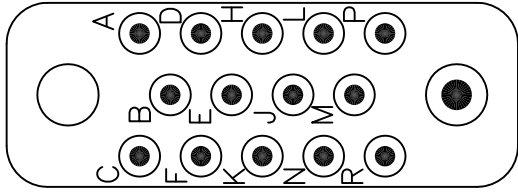
DB-9
CONNECTOR

C2
CONNECTOR



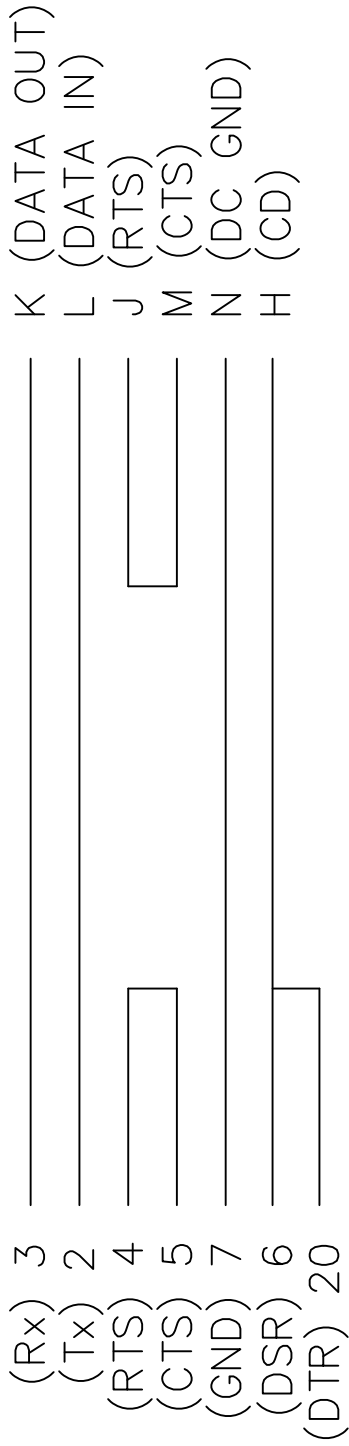
NOTE:
Pins Not Shown Are Not Connected.

TITLE: MODEM DB9 COMMUNICATIONS CABLE (Between Modem and 170 Controller)	
No Scale	
CMS 2020	A7-30



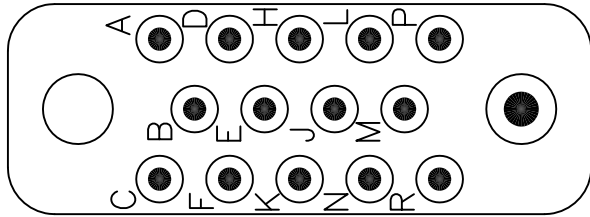
DB-25
CONNECTOR

C2
CONNECTOR



NOTE:
Pins Not Shown Are Not Connected.

Title: DIRECT MODE DB-25 COMMUNICATIONS CABLE Between Computer and 170 Controller	
No Scale	
CMS 2020	A7-31



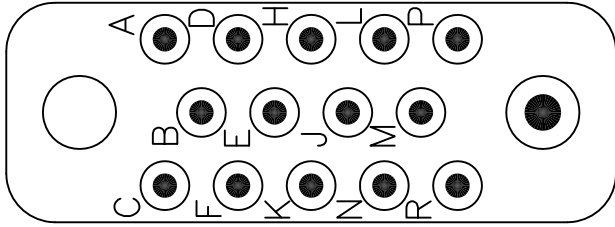
DB-25
CONNECTOR

C2
CONNECTOR

(Rx)	3	_____	K	(DATA OUT)
(Tx)	2	_____	L	(DATA IN)
(RTS)	4	_____	J	(RTS)
(CTS)	5	_____	M	(CTS)
(GND)	7	_____	N	(DC GND)
(CDC)	8	_____	H	(CD)

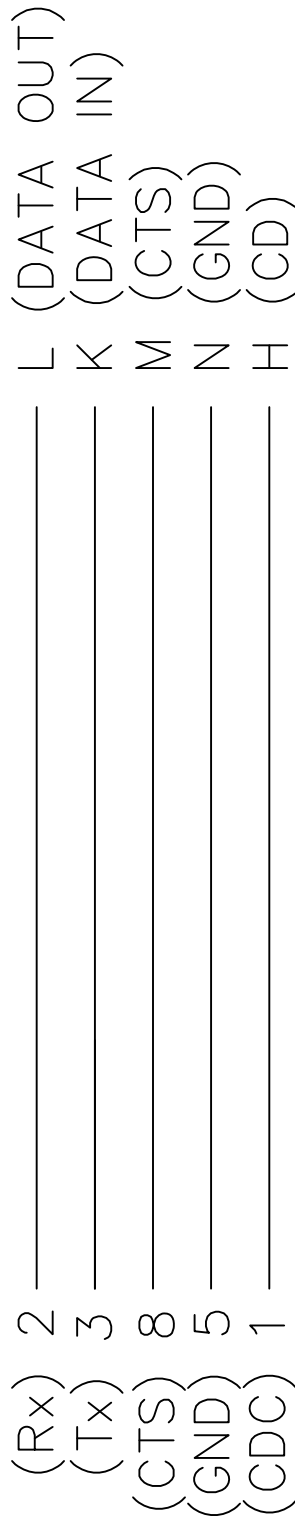
NOTE:
Pins Not Shown Are Not Connected.

Title: MODEM DB25 COMMUNICATIONS CABLE (Between Modem and 170 Controller)	
No Scale	
CMS 2020	A7-32



DB-9
CONNECTOR

C20 or C2
CONNECTOR

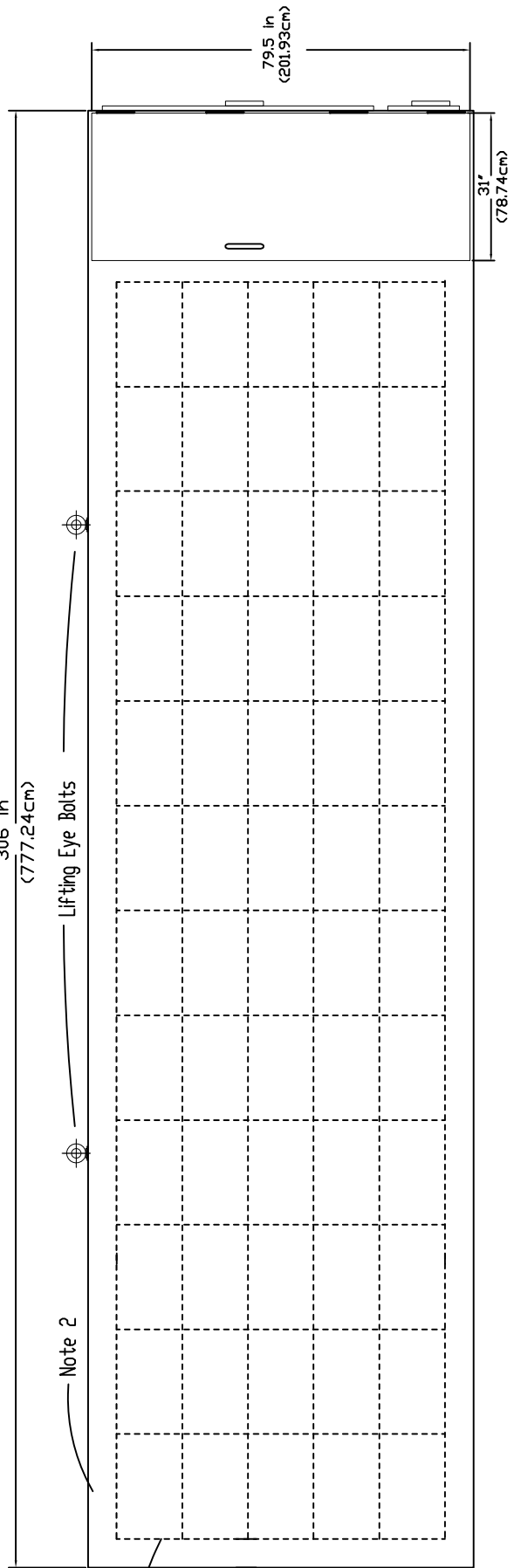


NOTE:
Pins Not Shown Are Not Connected.

Title: GDI MODEM DB9 COMMUNICATIONS CABLE Between GDI Modem and 170 Controller	
No Scale	
CMS 2020	A7-33

APPENDIX A8
MODEL 500 CMS DETAILS

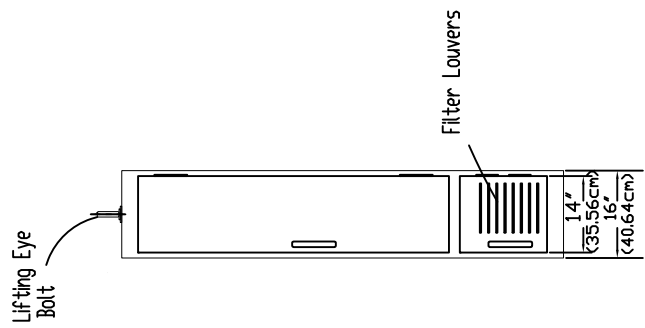
Sign Housing Details, Elevation, Side Doors and End Cap	A8-1
Sign Housing Details, Elevation, Rear and Z-Bar	A8-2
Model 500/510 CMS System TxFrm to CIP Wiring Detail, Option 1	A8-3A
Model 500/510 CMS System TxFrm to CIP Wiring Detail, Option 2	A8-3B
CMS System, LED Wiring Diagram	A8-4
Pixel Matrix Module, Front View	A8-5
Pixel Matrix Module, Rear View	A8-6
Pixel Matrix Module, Type 1, End View	A8-7
Pixel Matrix Module, Type 2, End View	A8-8
CMS Control Compartment Mounting Details	A8-9
CMS Testing, Elevation View	A8-10
CMS Testing, Plan View	A8-11
CMS Lifting Bracket	A8-12
Shipping Pallet Dimensions	A8-13
Palletized CMS Shipping Method	A8-14



ELEVATION VIEW

NOTES:

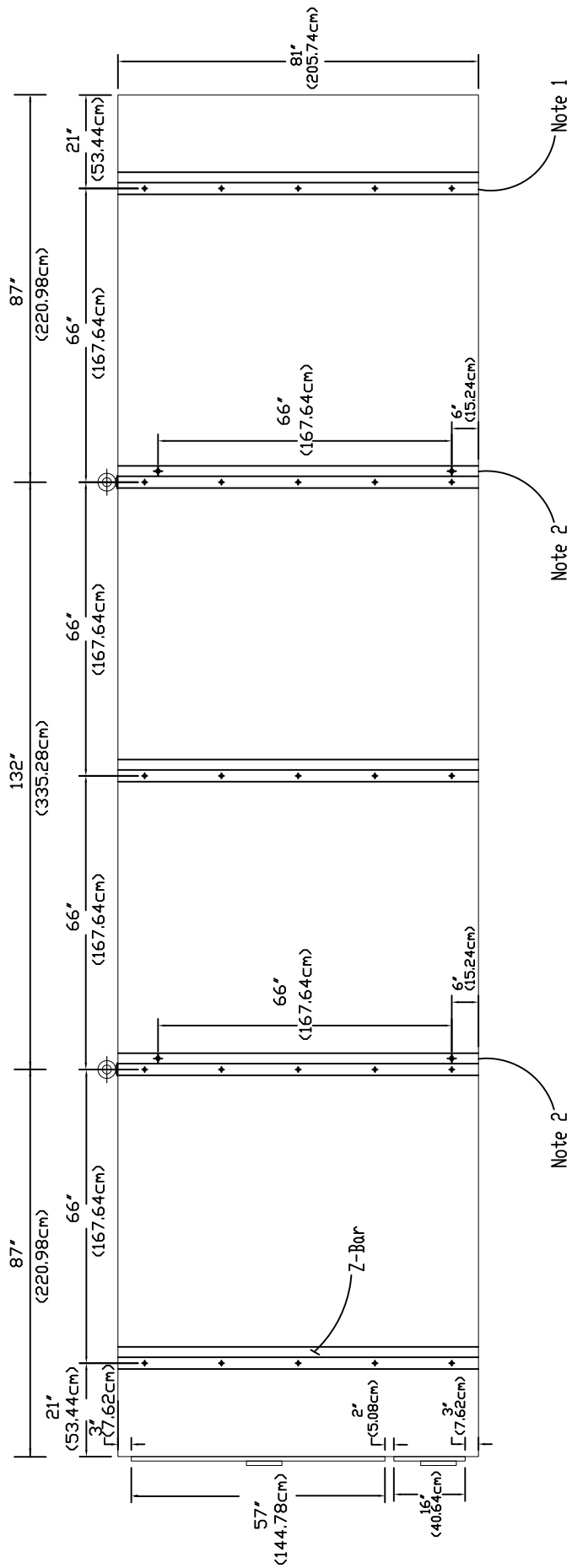
1. Dimension between display area and top and bottom edge is 6" (15.24cm).



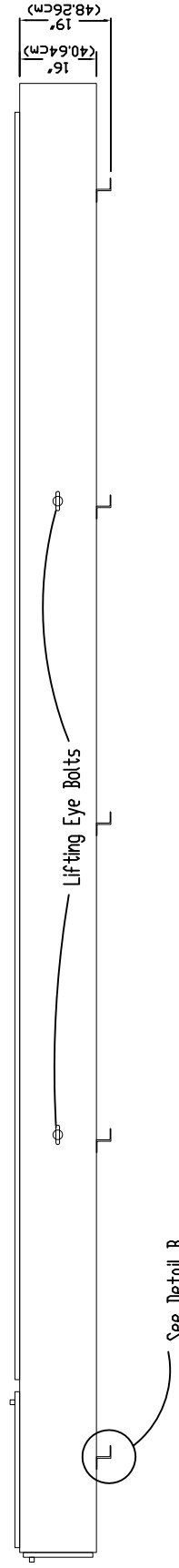
SIDE VIEW

Display Area
(Note 1)

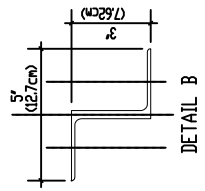
TITLE: MODEL 500 CMS SYSTEM SIGN HOUSING DETAIL ELEVATION, SIDE DOORS AND END CAP	
No Scale	
CMS 2020	A8-1



ELEVATION VIEW - REAR



PLAN VIEW

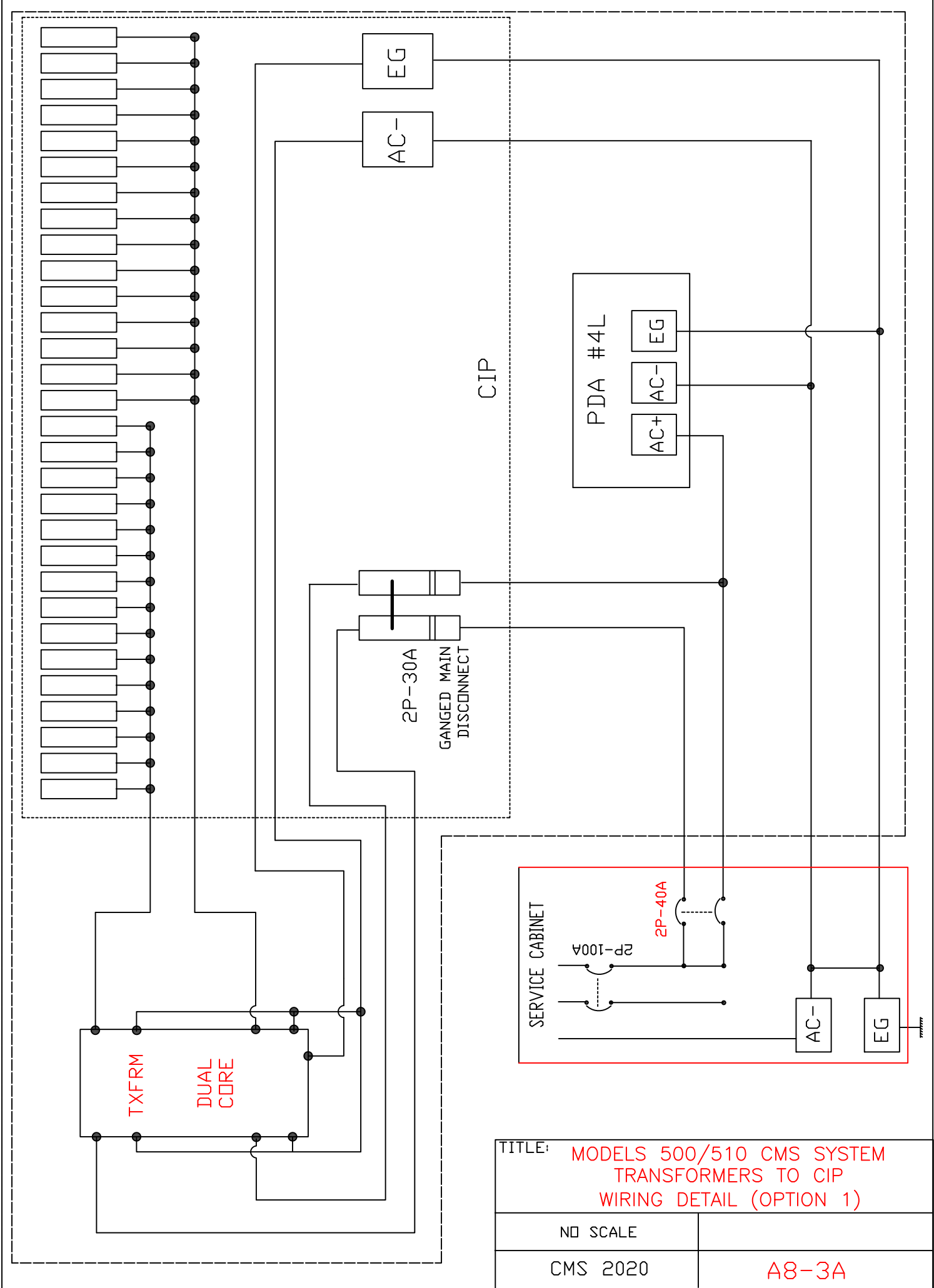


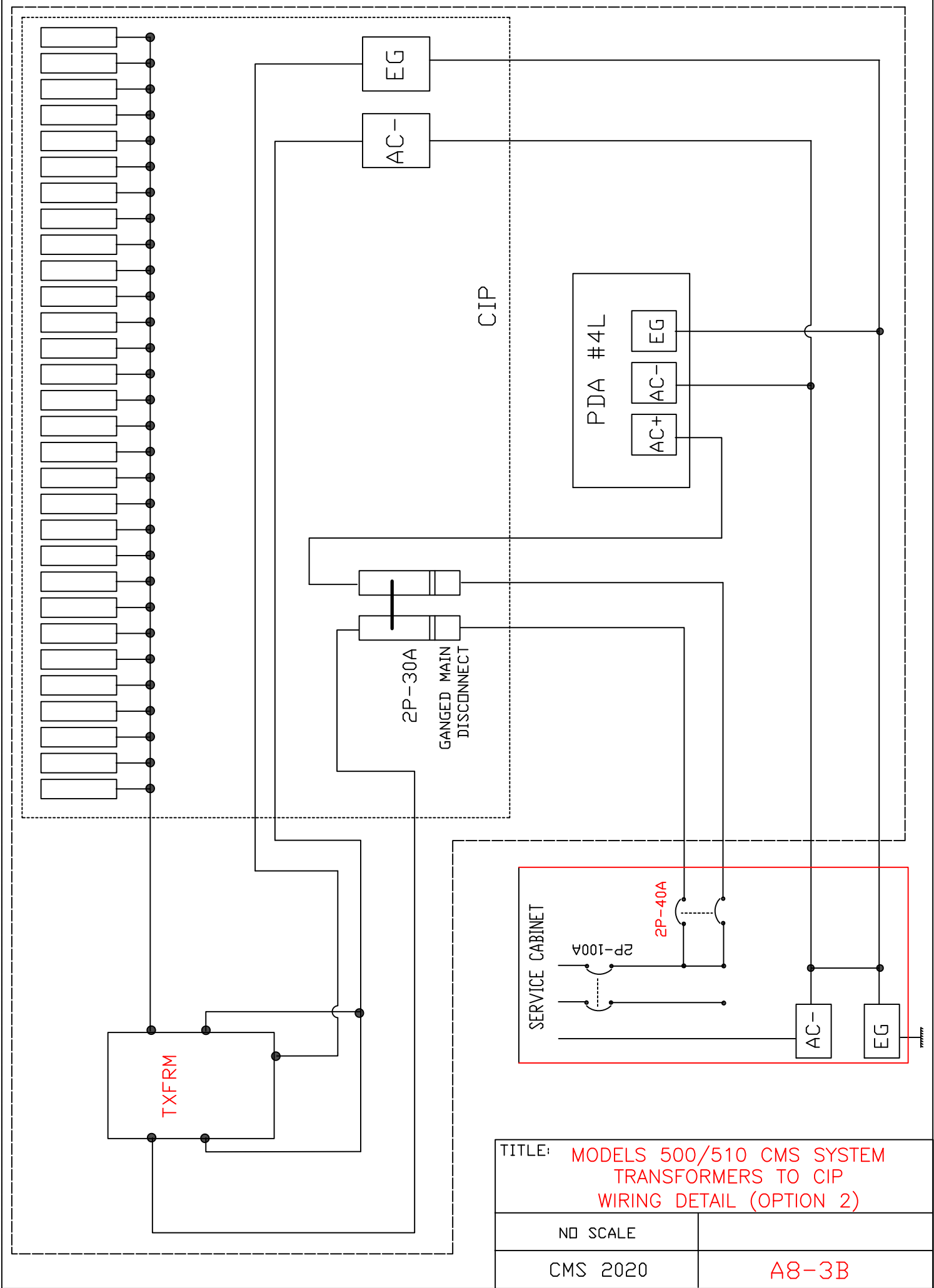
DETAIL B

NOTES/KEY:

1. Bolt supports to CMS housing, minimum 5 bolts per Z-Bar.
2. 3/4" (1.905cm) DIA holes for Mounting Bolts to CMS Test Stand
3. Z-Bar shall be made of 0.25" (0.635cm) aluminum.

Title		MODEL 500 CMS SYSTEM SIGN HOUSING DETAIL ELEVATION-REAR, PLAN AND Z-BAR
No Scale		
CMS 2020		A8-2



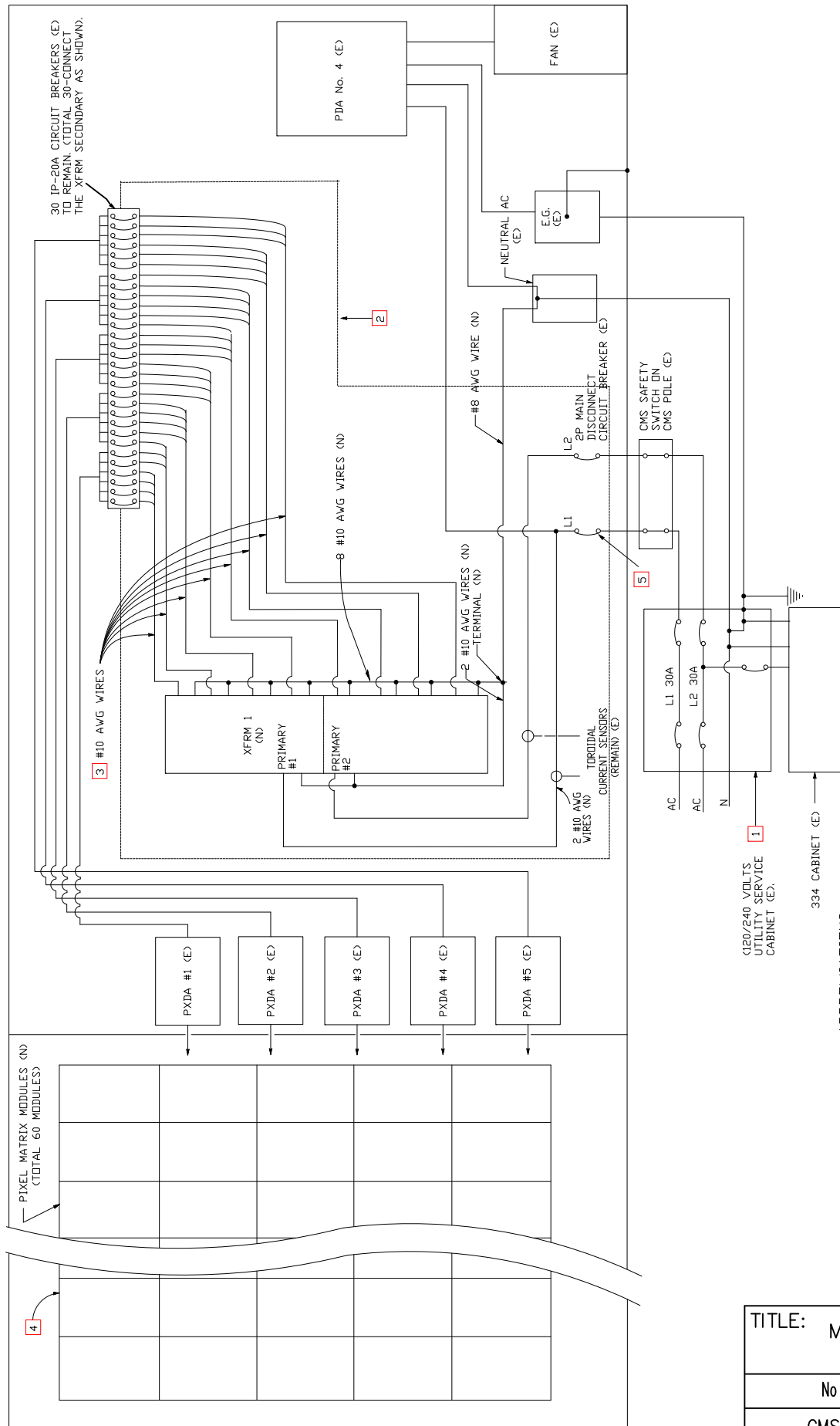


TITLE: MODELS 500/510 CMS SYSTEM
TRANSFORMERS TO CIP
WIRING DETAIL (OPTION 2)

NO SCALE

CMS 2020

A8-3B

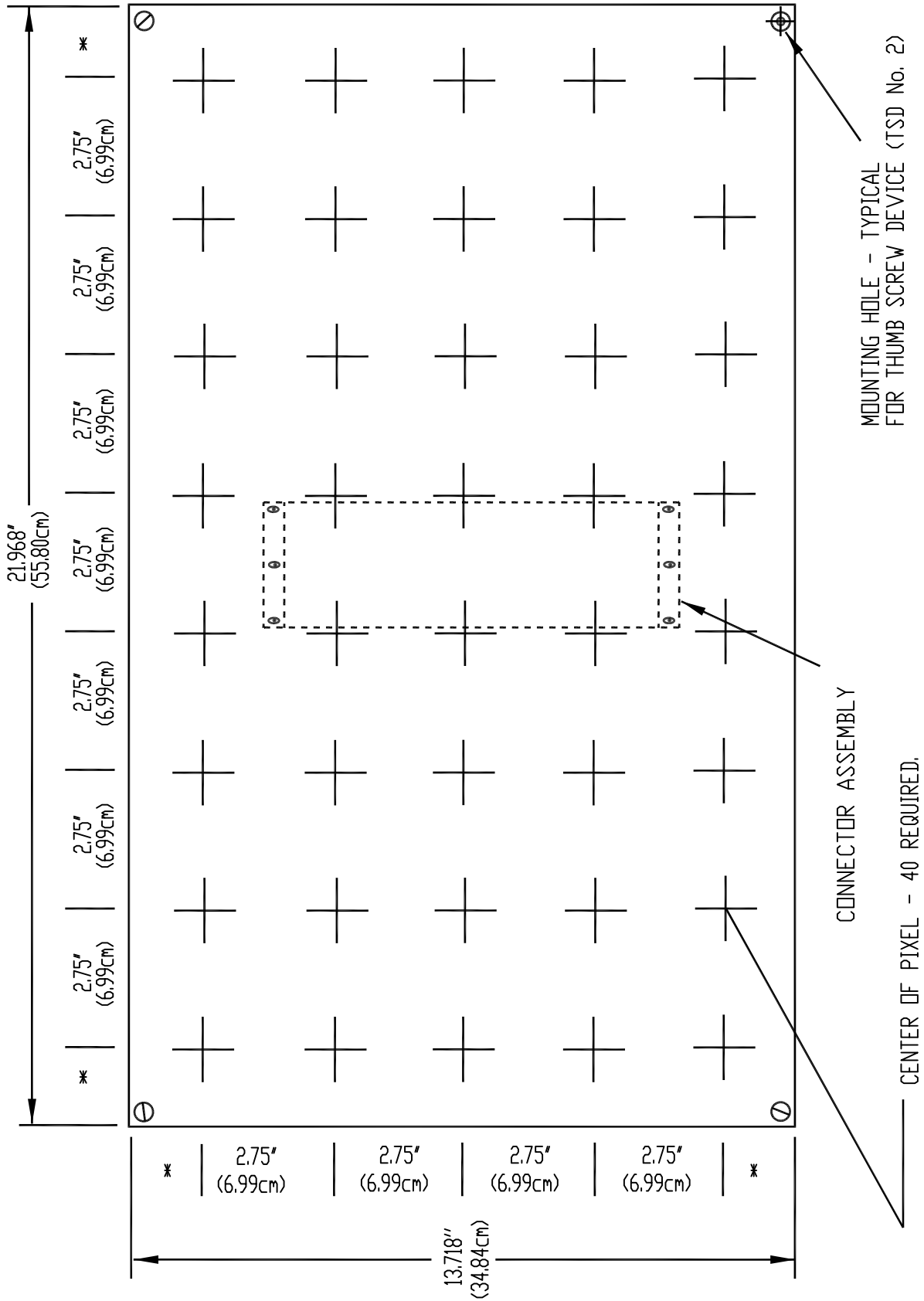


ABBREVIATIONS
 (E) EXISTING
 MOV METAL-OXIDE VARISTOR
 (N) NEW
 XFRM TRANSFORMER

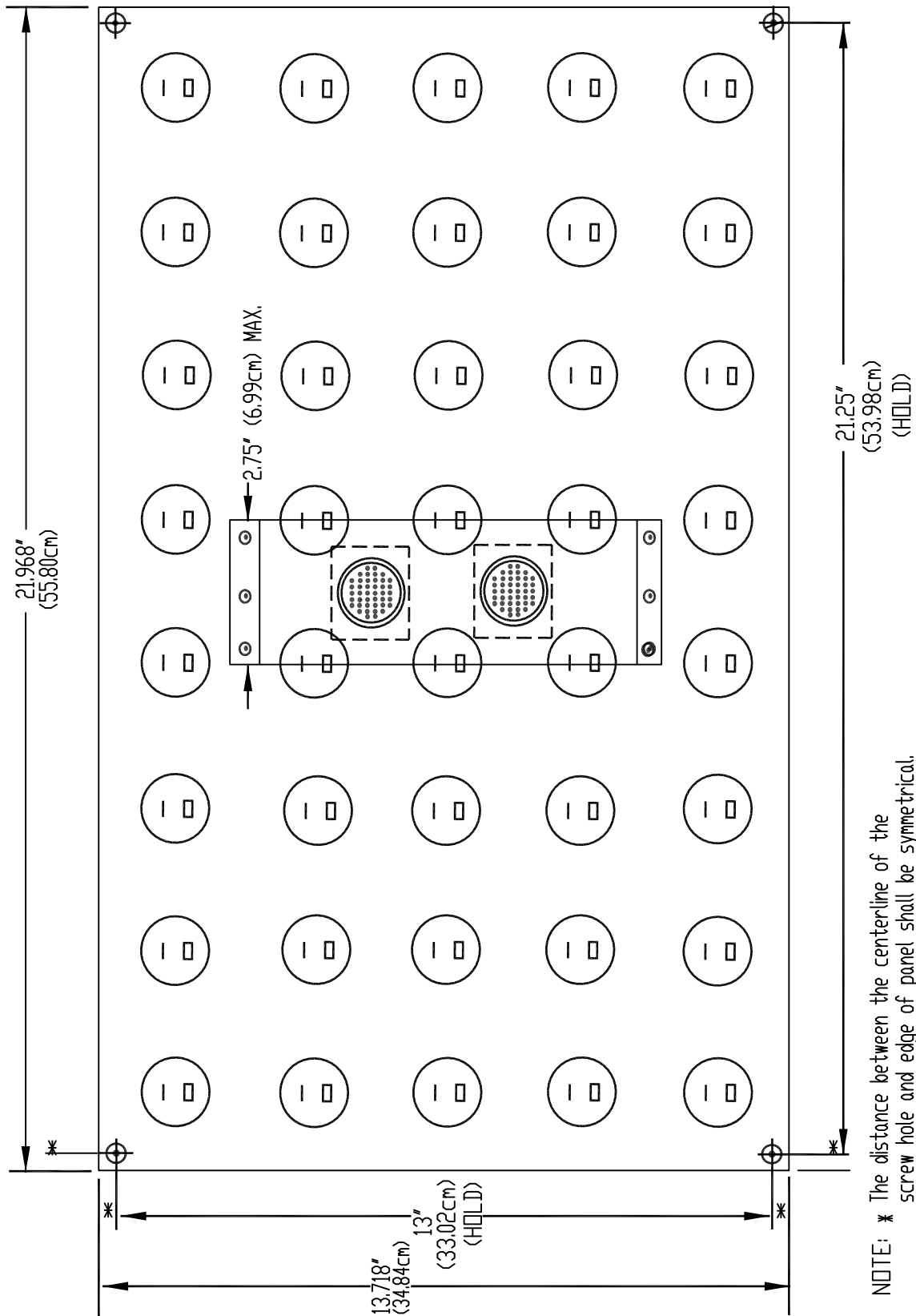
NOTES

1. SERVICE CABINET IS SHOWN FOR CONTRACTORS INFORMATION ONLY. NO MODIFICATION IS NECESSARY TO THIS CABINET.
2. REMOVE EXISTING FOUR WIRES FROM THE 4P MAIN DISCONNECT AND THIRTY IP-200A CIRCUIT BREAKERS. MOUNT ONE CONTRACTOR FURNISHED TRANSFORMER. CONTRACTOR IS TO PROVIDE MOUNTING HARDWARE. INSTALL TRANSFORMER PRIMARY WIRES (TWO #10 AWG) TO MAIN DISCONNECT THROUGH CURRENT SENSORS. REMOVE MOV's.
3. INDIVIDUAL SECONDARY OUTPUT LEAD.
4. REMOVE (E) INCANDESCENT MODULES AND INSTALL 60 LED LAMP MODULES. (CONTRACTOR FURNISHED). CONNECT EXISTING CONNECTORS TO MODULE BACK. (FOUR SCREWS HOLD THE MODULES TO THE RACK).
5. L1 & L2 WITH 30A CB. GANG L1 & L2 TOGETHER.

TITLE: MODEL 500 CMS SYSTEM LED WIRING DIAGRAMS	
No Scale	
CMS 2020	A8-4



TITLE: MODEL 500 CMS SYSTEM PIXEL MATRIX MODULE FRONT VIEW	
No Scale	
CMS 2020	A8-5



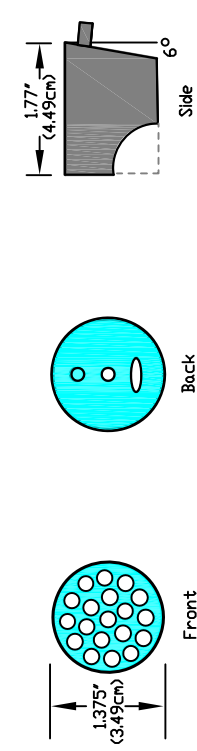
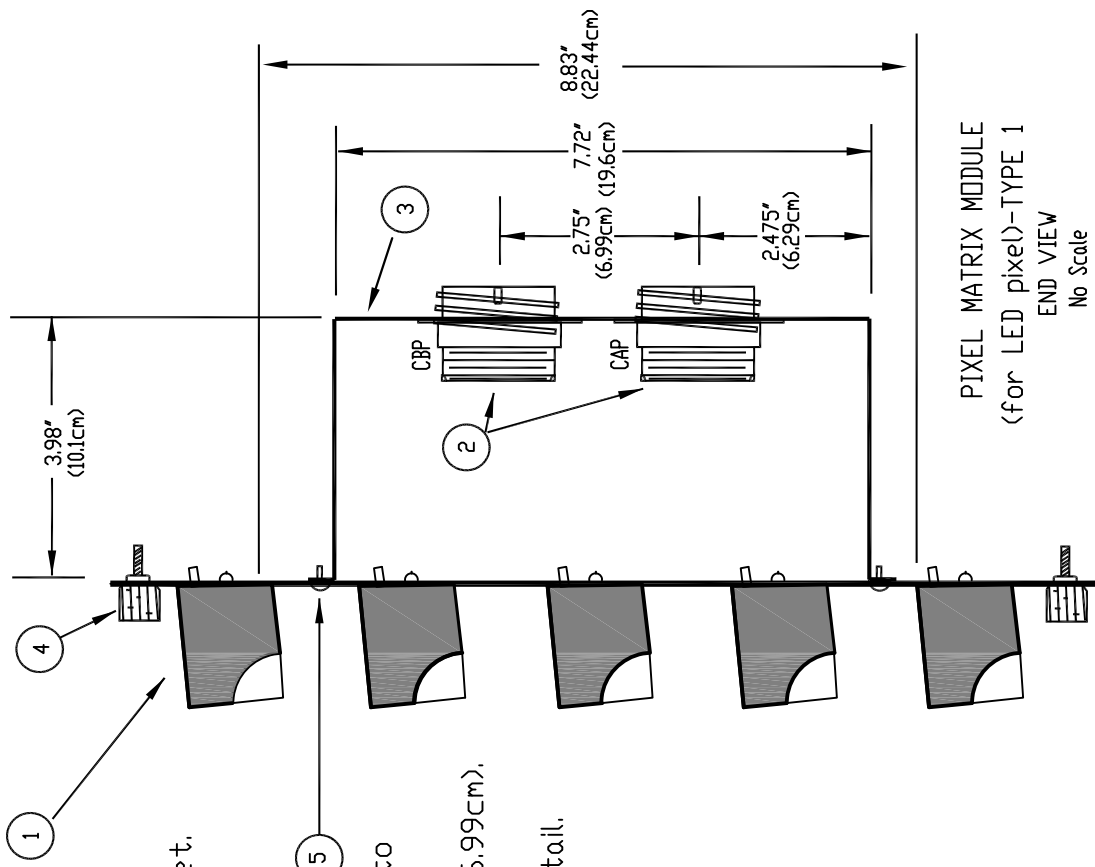
NOTE: * The distance between the centerline of the screw hole and edge of panel shall be symmetrical.
 ** or less

TITLE: MODEL 500 CMS SYSTEM PIXEL MATRIX MODULE REAR VIEW	
No Scale	
CMS 2020	A8-6

NOTES:

1. LED "Pixel" Assembly.
2. Plastic connector plug.
3. 0.0625-inch (0.159 cm) min. aluminum U-shaped bracket.
4. Thumb screw device (TSD No. 2)-typical. (Southco No. 47-62-301-60 or equal).
5. Universal head aluminum drive rivet-typical. (Southco No. 38-104-04-13 or equal).
6. Each Pixel shall have two 30.5 cm (12.02 in) leads to connect to the CAP or CBP as per section 8-8.

Nominal center to center spacing of pixel: 2.75" (6.99cm).
 See CMS Model 500 Specifications, Section 8, Figures 8-8-5 & 8-8-6 for addition dimensional Detail.



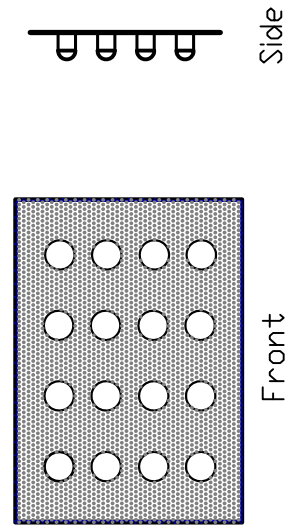
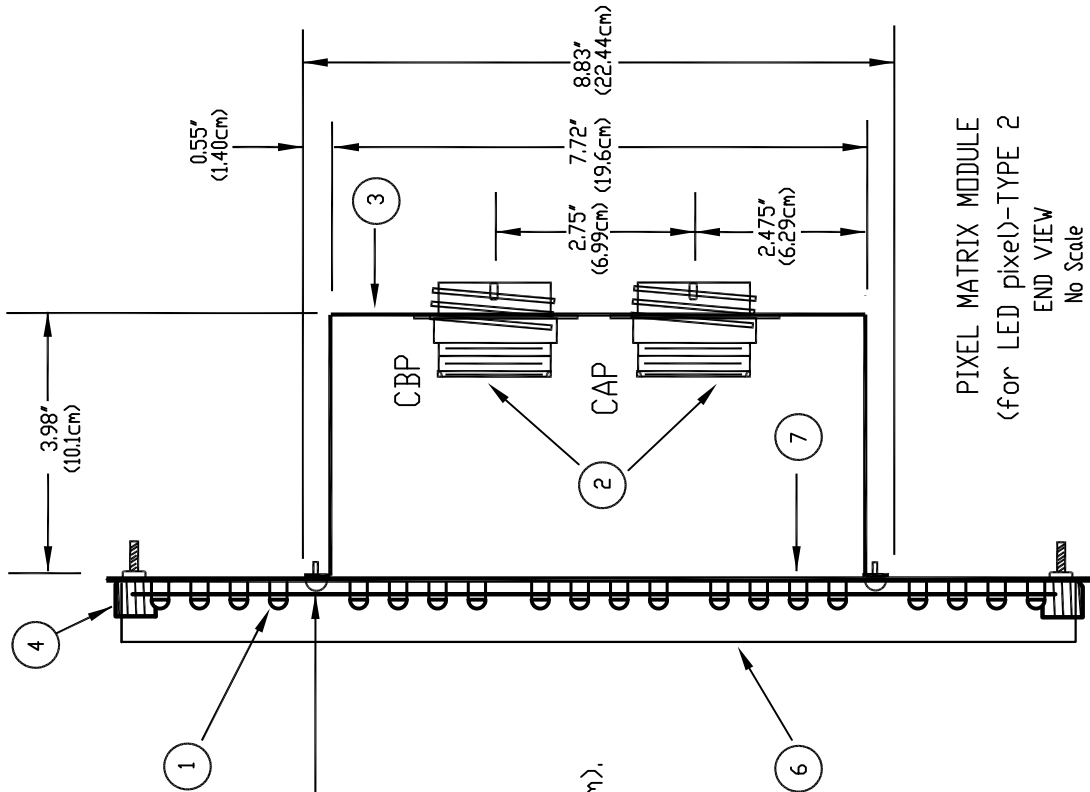
LED pixel (example)

PIXEL MATRIX MODULE
 (for LED pixel)-TYPE 1
 END VIEW
 No Scale

Title: PIXEL MATRIX MODULE TYPE 1 END VIEW	
No Scale	
CMS 2020	A8-7

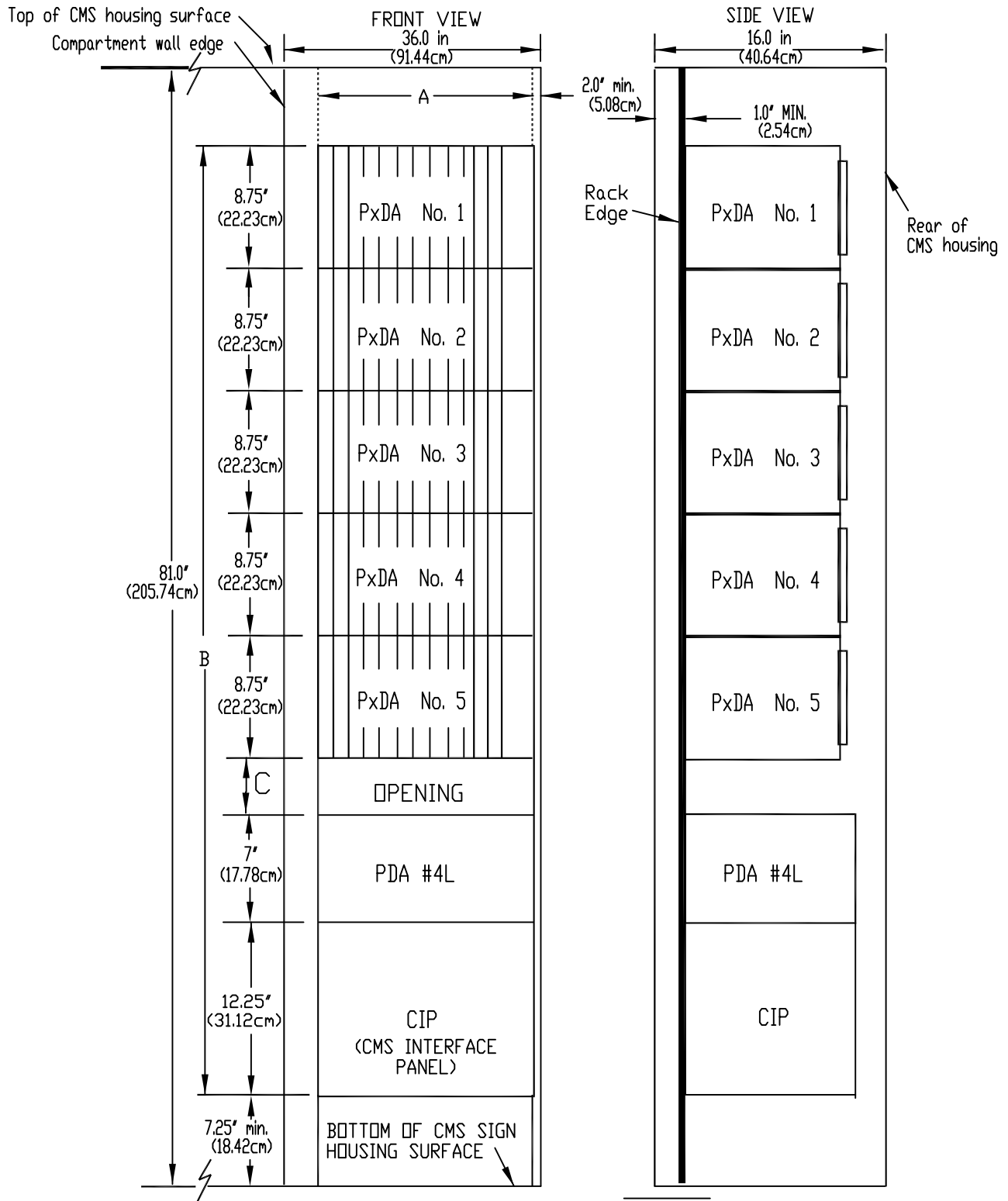
NOTES:

1. LED "Pixel" Assembly.
 2. Plastic connector plug.
 3. 0.0625-inch (0.16cm) min. aluminum U-shaped bracket.
 4. Thumb screw device (TSD No. 2)-typical. (Southco No. 47-62-301-60 or equal).
 5. Universal head aluminum drive rivet-typical. (Southco No. 38-104-04-13 or equal).
 6. Formed plastic cover similar to cover on Xenon PMM's. See Section 8-8-8 for more details. The cover shall be coated or treated for glare & shall not diminish light output by more than 15%.
 7. All pixels shall be mounted to the same PC board.
- * Nominal center to center spacing of pixel: 2.75" (6.99cm).
 * See CMS Model 500 Specifications, Section 8, Figures 8-8-5 & 8-8-6 for addition dimensional Detail.



LED Pixel Dimensions and Shape (example)

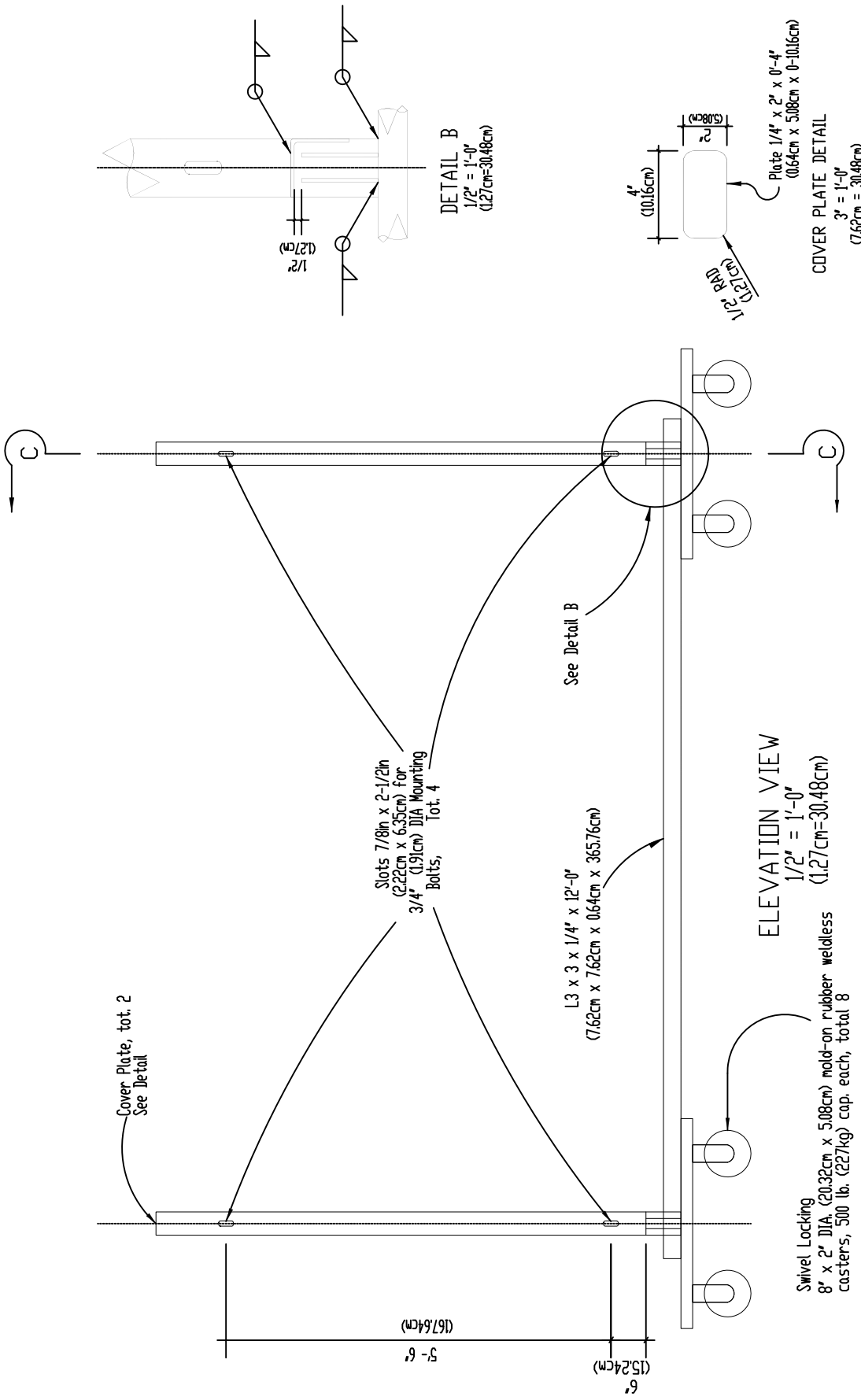
Title: PIXEL MATRIX MODULE TYPE 2 END VIEW	
No Scale	
CMS 2020	A8-8



NOTES:

- A - 21.0' (53.34cm) min. door opening.
- B - 66.5' (168.9cm) min. rack mounting area and door opening.
- C - A minimum of 1.75' (4.45cm) space shall be kept between PDA #4 and PxDA 5. These possible, spacing between PxDA's is desired.

Title: MODEL 500 CMS SYSTEM CMS CONTROL COMPARTMENT MOUNTING DETAIL	
No Scale	
CMS 2020	A8-9



Slots 7/8in x 2-1/2in
(2.22cm x 6.35cm) For
3/4" (1.91cm) DIA Mounting
Bolts, Tot. 4

L3 x 3 x 1/4" x 12'-0"
(7.62cm x 7.62cm x 0.64cm x 365.76cm)

ELEVATION VIEW
1/2" = 1'-0"
(1.27cm=30.48cm)

Swivel Locking
8' x 2" DJA (20.32cm x 5.08cm) mold-on rubber weldless
casters, 500 lb (227kg) cap, each, total 8

Cover Plate, tot. 2
See Detail

See Detail B

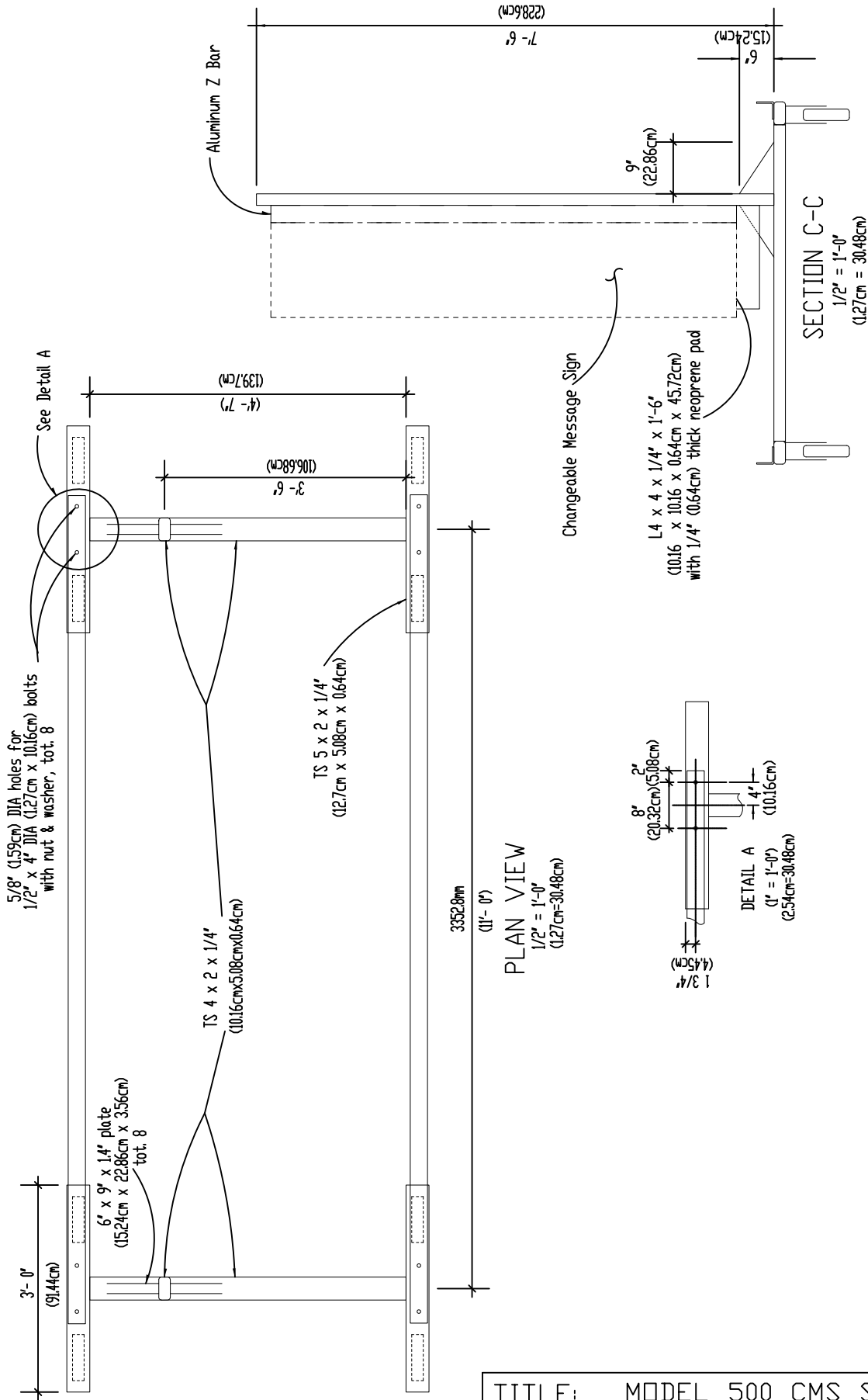
DETAIL B
1/2" = 1'-0"
(1.27cm=30.48cm)

COVER PLATE DETAIL
Plate 1/4" x 2' x 0'-4"
(0.64cm x 5.08cm x 0-10.16cm)
3" = 1'-0"
(7.62cm = 30.48cm)

NOTES:

1. Drill L3"x3"x1/4" (7.62cmx7.62cmx0.64cm) & vertical posts as necessary to accommodate different sized signs.
2. All steel is A36.
3. All steel to be galvanized after fabrication.

TITLE: MODEL 500 CMS SYSTEM TEST STAND ELEVATION VIEW	
No Scale	
CMS 2020	A8-10

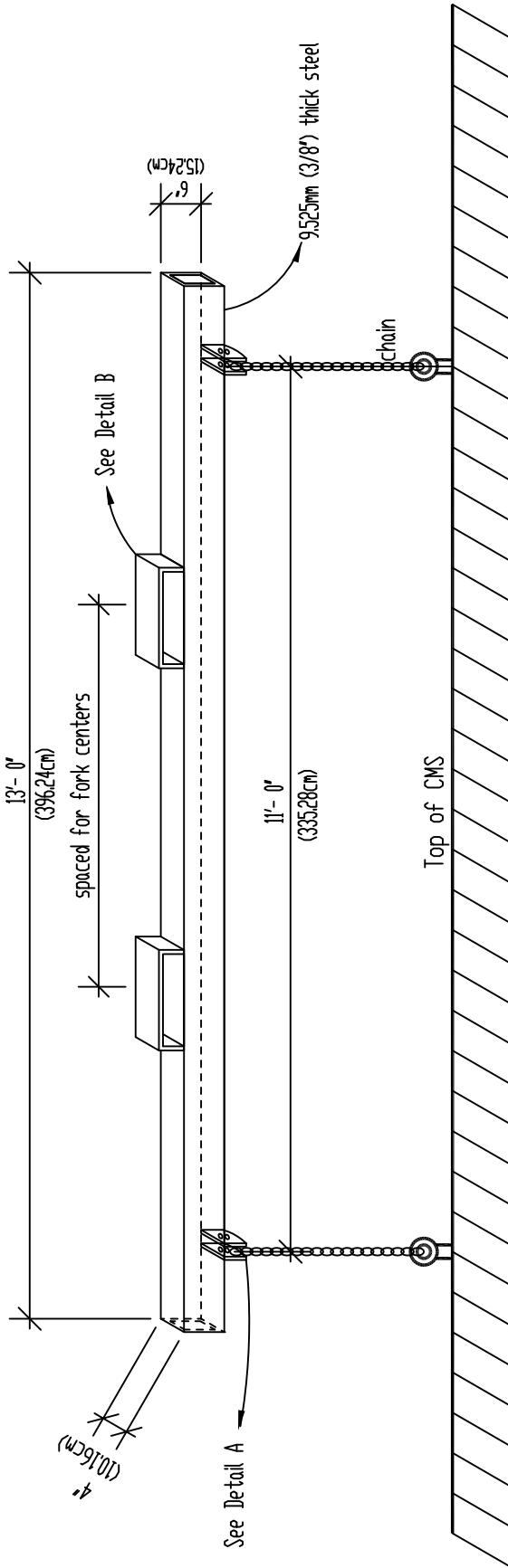


PLAN VIEW
1/2" = 1'-0"
(1.27cm=30.48cm)

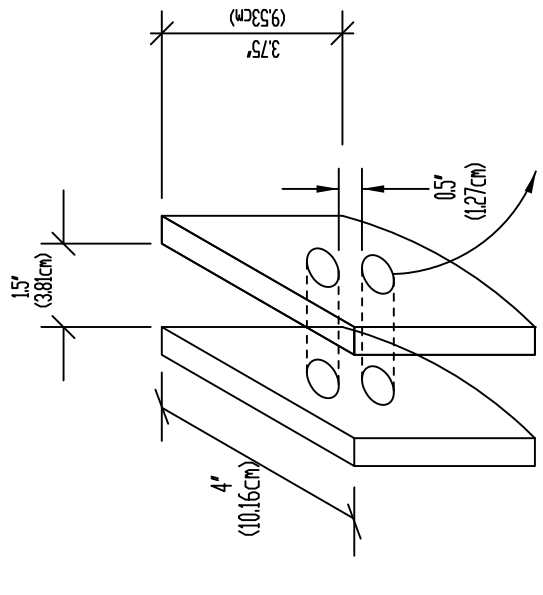
SECTION C-C
1/2" = 1'-0"
(1.27cm = 30.48cm)

- Note:**
1. Drill L3 x 3 x 1/4(L7.62cm x 7.62cm x 0.64cm) & vertical posts as necessary to accommodate different sized signs.
 2. All steel is A36.
 3. All steel to be galvanized after fabrication.

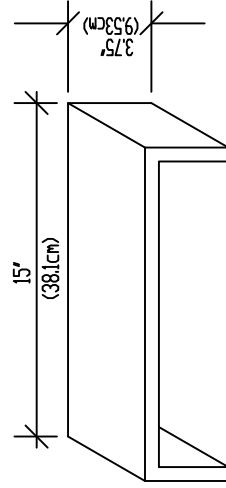
TITLE: MODEL 500 CMS SYSTEM TEST STAND PLAN VIEW		
No Scale		
CMS 2020		A8-11



THIS BRACKET IS USED BY THE CALTRANS WAREHOUSE FOR LOADING AND UNLOADING OF MODEL 500 CMS USING A FORKLIFT. VARIATIONS MAY BE USED DEPENDING ON REQUIREMENTS OR CONSTRAINTS.



DETAIL A



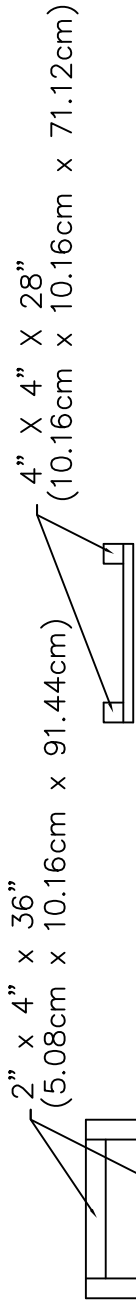
DETAIL B

TITLE: MODEL 500 CMS SYSTEM
CMS LIFTING BRACKET

No Scale

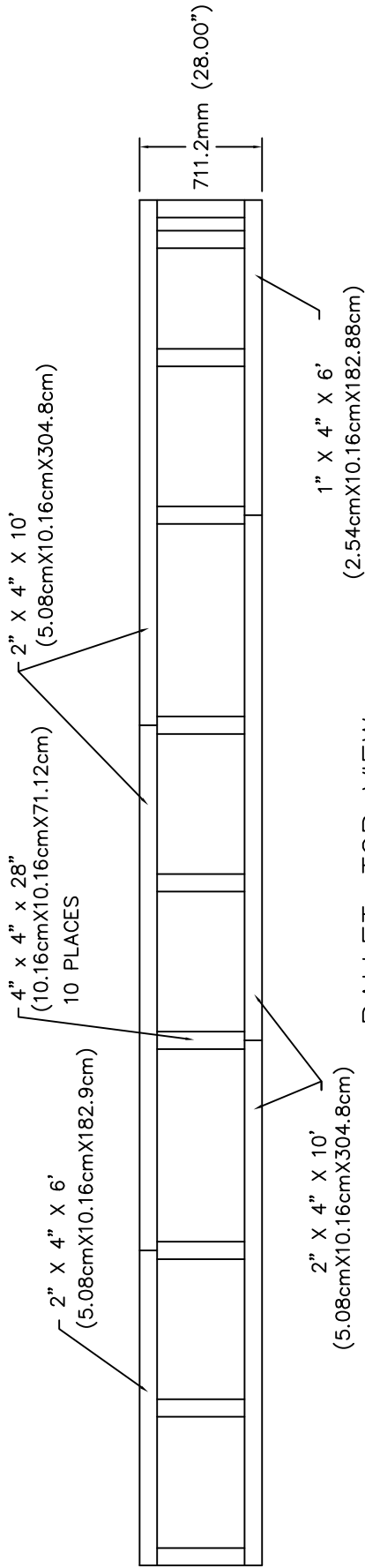
CMS 2020

A8-12

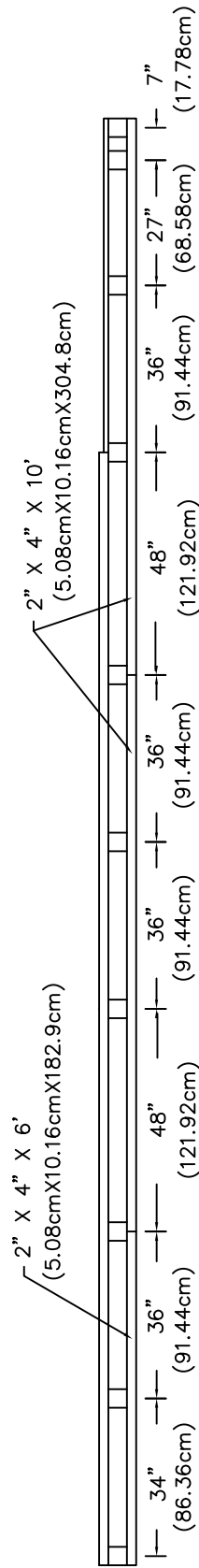


CRADLE, FRONT VIEW

CRADLE, TOP VIEW



PALLET, TOP VIEW

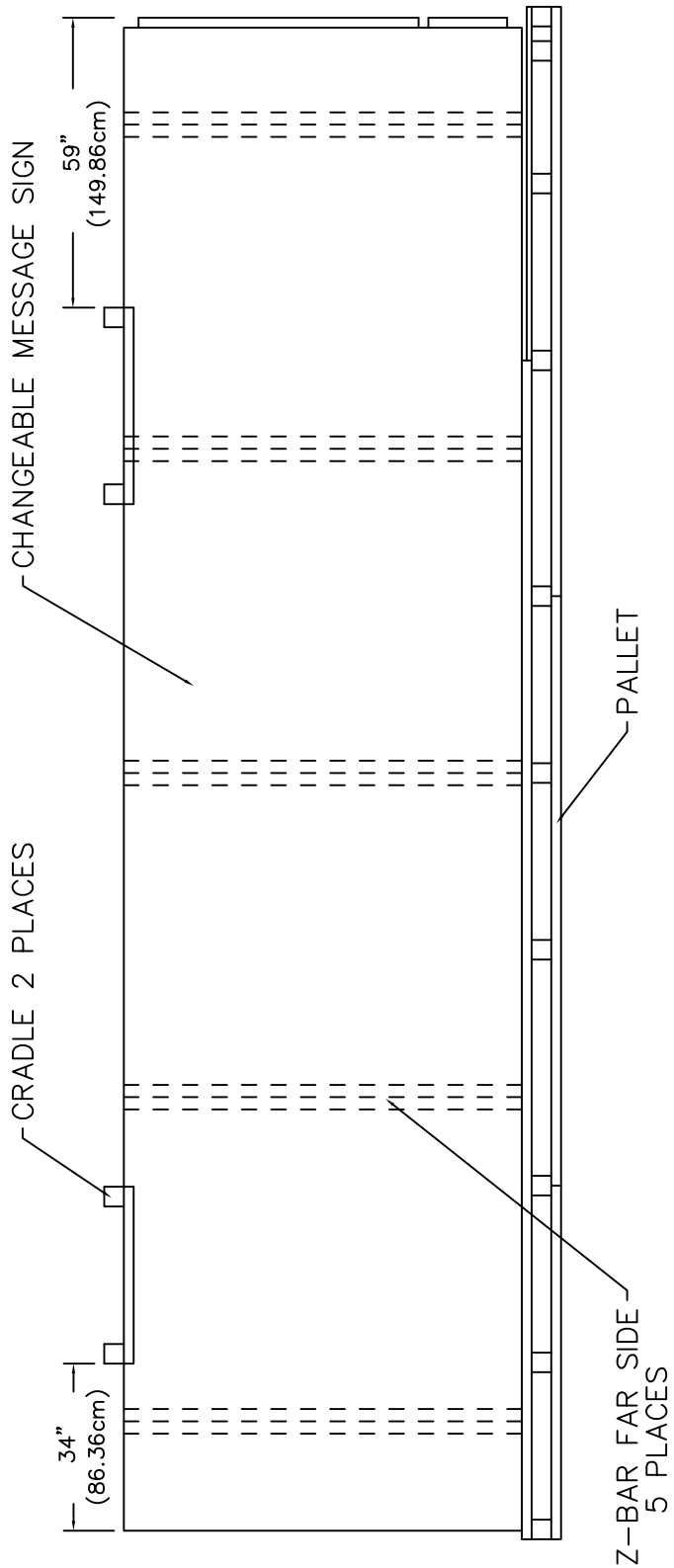


PALLET, FRONT VIEW

NOTES:

APPLY 1/2" (12.7mm) THICK RUBBER GASKET TO ALL SURFACES WHICH CONTACT THE SIGN.

TITLE: MODEL 500 CMS SYSTEM SHIPPING PALLET DIMENSIONS	
No Scale	
CMS 2020	A8-13

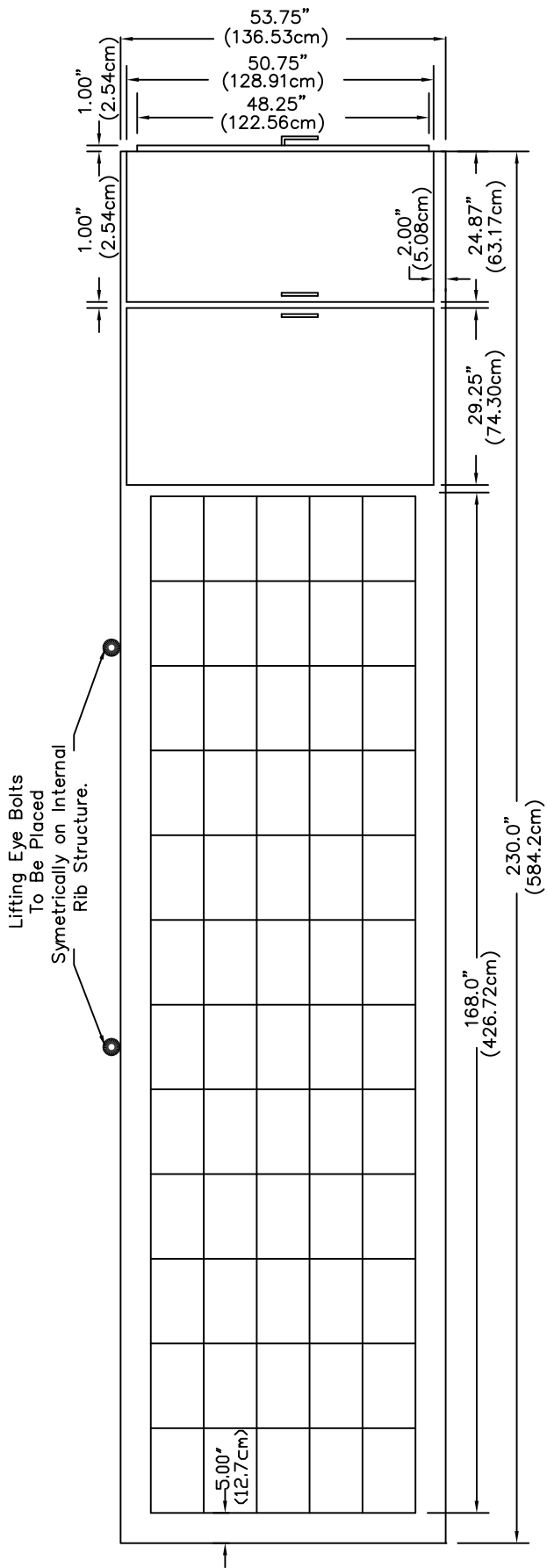


PALLETIZED CMS
FRONT VIEW

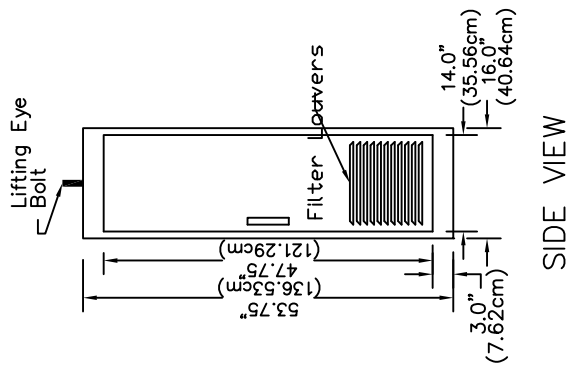
TITLE: MODEL 500 CMS SYSTEM PALLETIZED CMS SHIPPING METHOD	
No Scale	
CMS 2020	A8-14

APPENDIX A9
MODEL 510 CMS DETAILS

Sign Housing Details, Outside Dimensions	A9-1
Sign Housing Details, Elevations, Side Door, End Cap and Screens	A9-2
Pixel Matrix Module, LED and Thumbscrew Spacing	A9-3
CMS Control Compartment Mounting Details	A9-4
CMS Lifting Bracket	A9-5
Shipping Pallet Dimensions	A9-6



ELEVATION VIEW



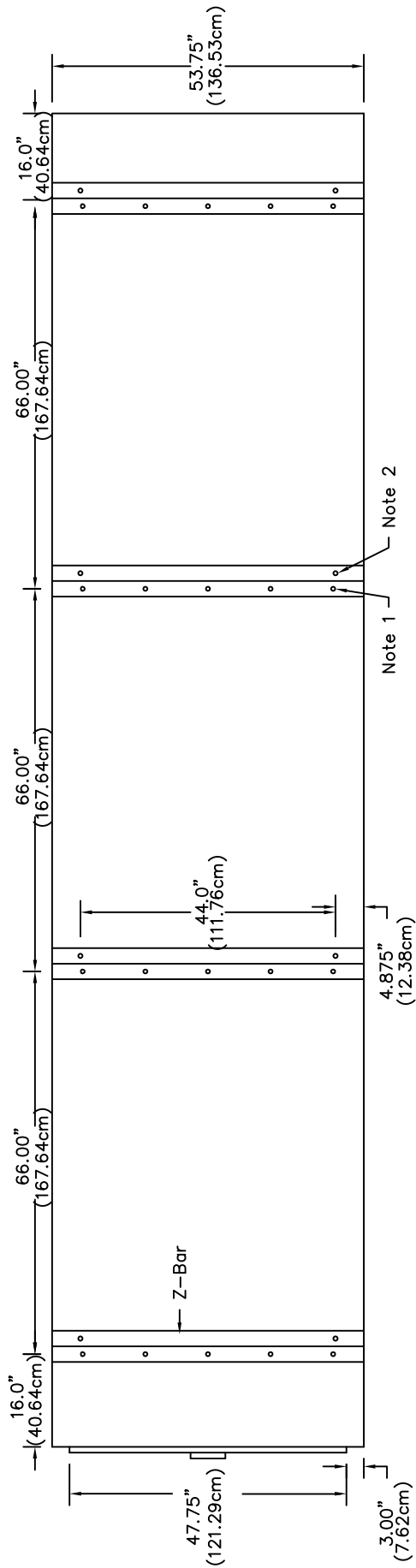
SIDE VIEW

TITLE: MODEL 510 CMS SYSTEM
SIGN HOUSING DETAIL
OUTSIDE DIMENSION

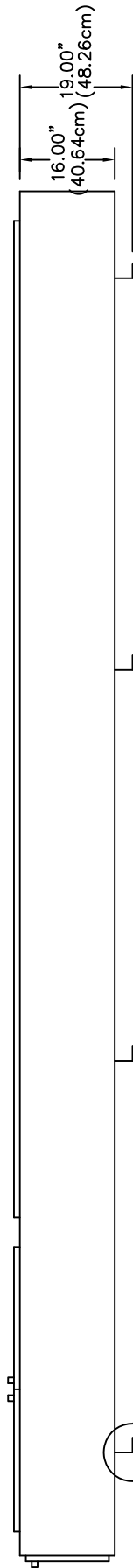
No Scale

CMS 2020

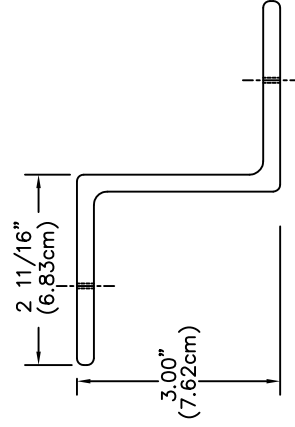
A9-1



ELEVATION VIEW—REAR



PLAN VIEW

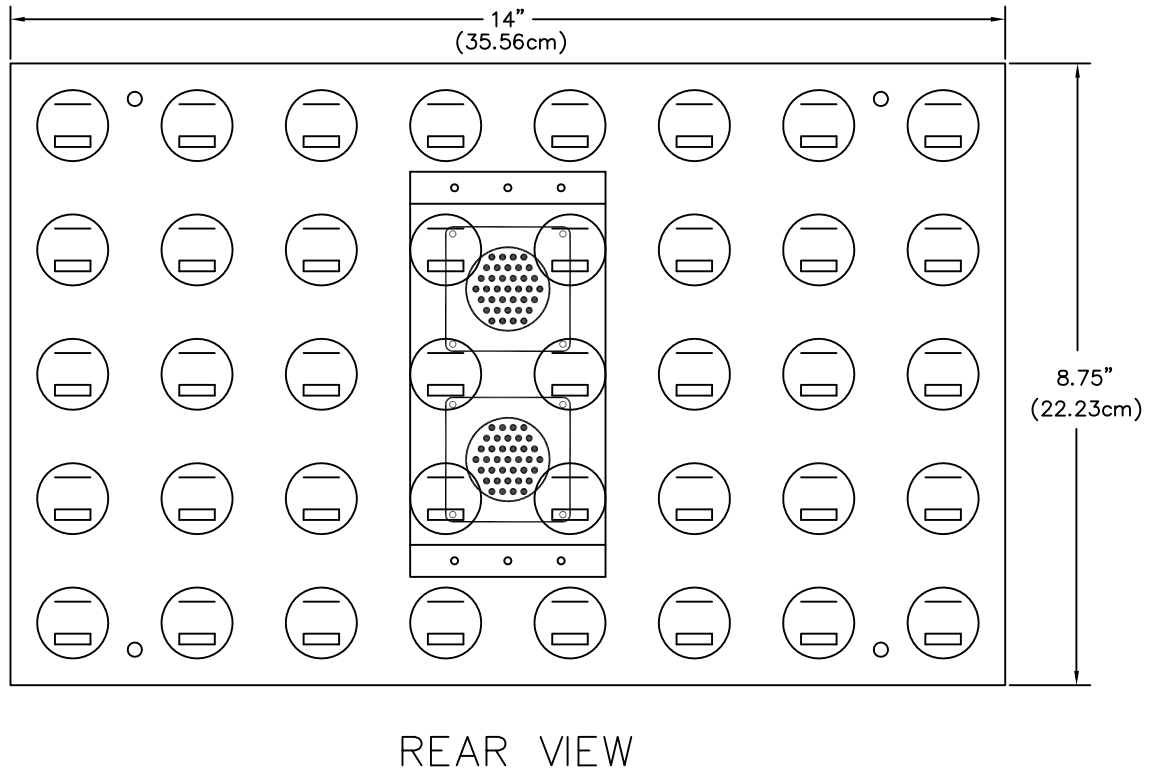
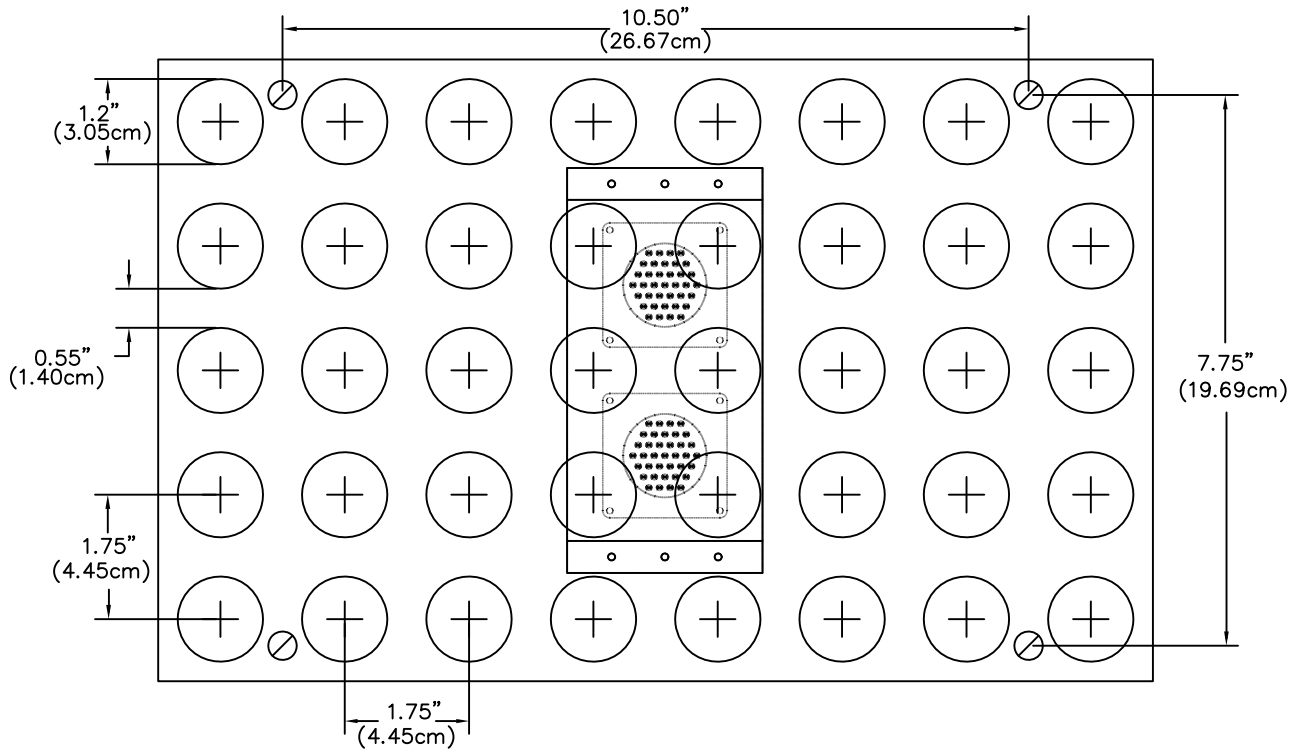


DETAIL B

NOTES/KEY:

1. Bolt supports to CMS housing, minimum 5 bolts per Z-Bar.
2. 3/4" (1.91cm) DIA holes for Mounting Bolts to CMS Test Stand.
3. Z-Bar shall be made of 0.25" (0.64cm) aluminum.

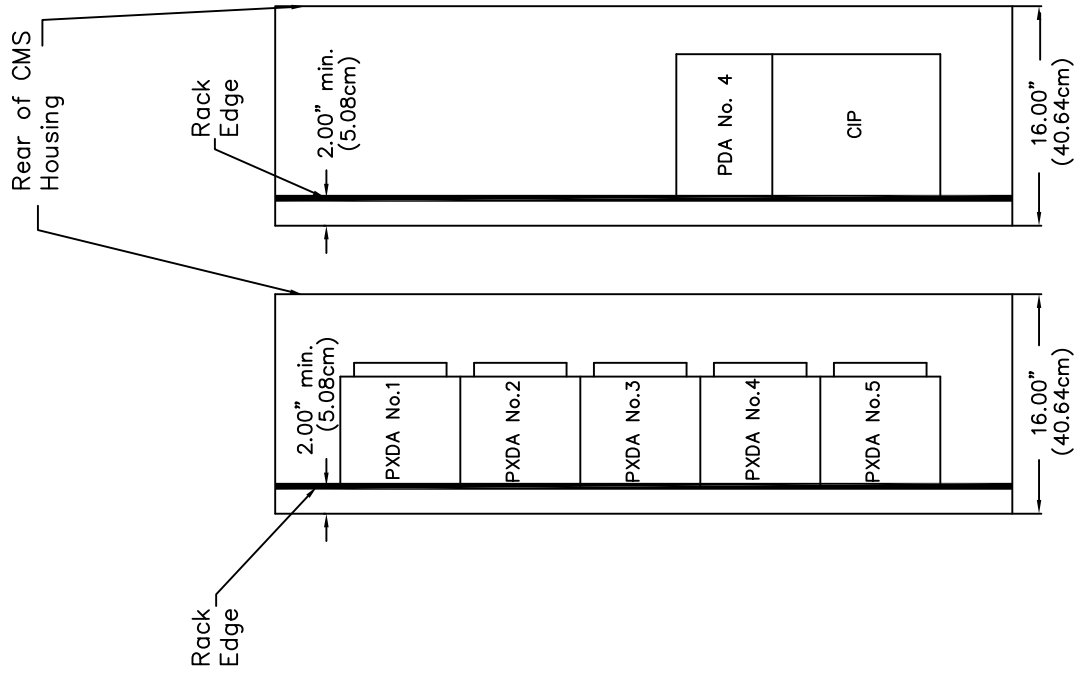
TITLE: MODEL 510 CMS SYSTEM SIGN HOUSING DETAIL ELEVATION, SIDE DOORS, END CAP, AND SCREEN	
No Scale	
CMS 2020	A9-2



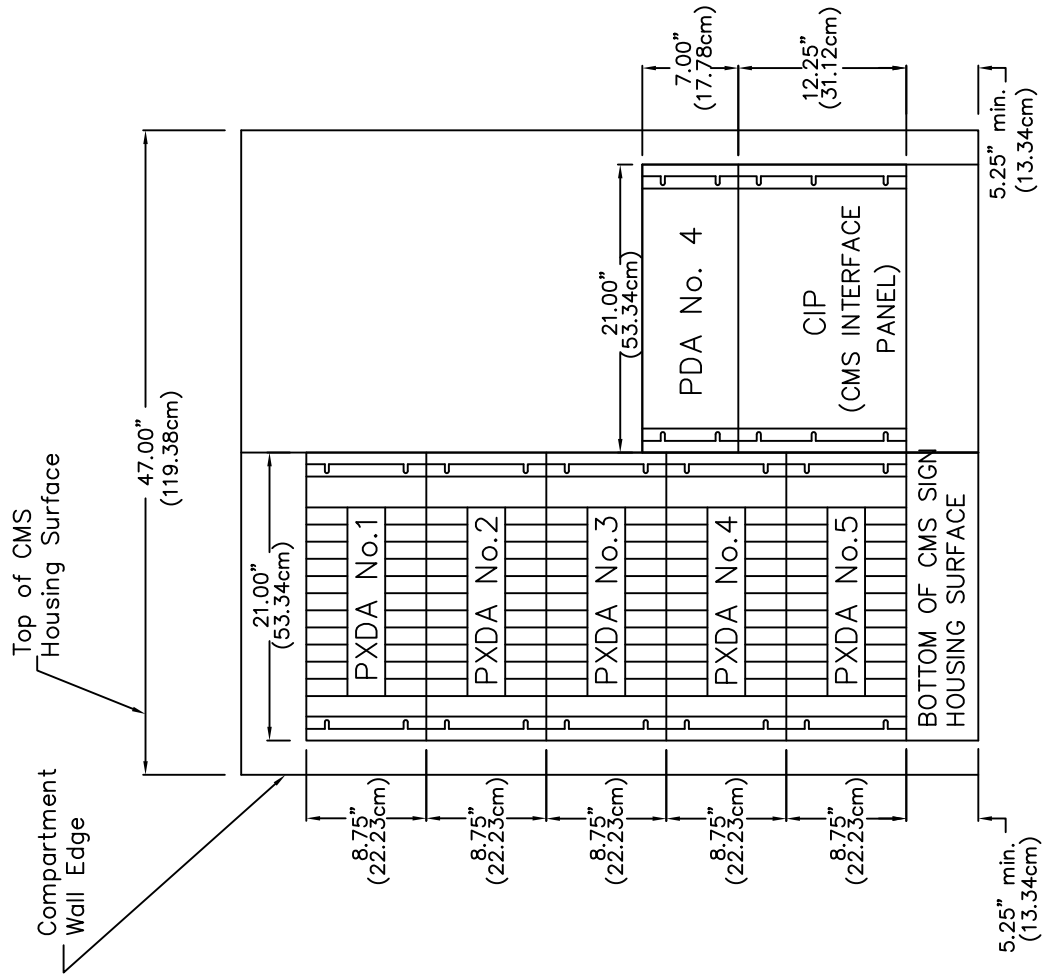
NOTES/KEY:

1. Outer dimensions include tolerance.
2. Center of pixel sockets – 40 total.
3. Captive thumbscrew device.
4. Spacing of thumbscrews within panel shall be symmetrical.
5. Connector support shall be symmetrical within the panel.
6. Pixel array shall be symmetrical within the panel.

TITLE: MODEL 510 CMS SYSTEM PIXEL MATRIX MODULE LED AND THUMBSCREW SPACING	
No Scale	
CMS 2020	A9-3

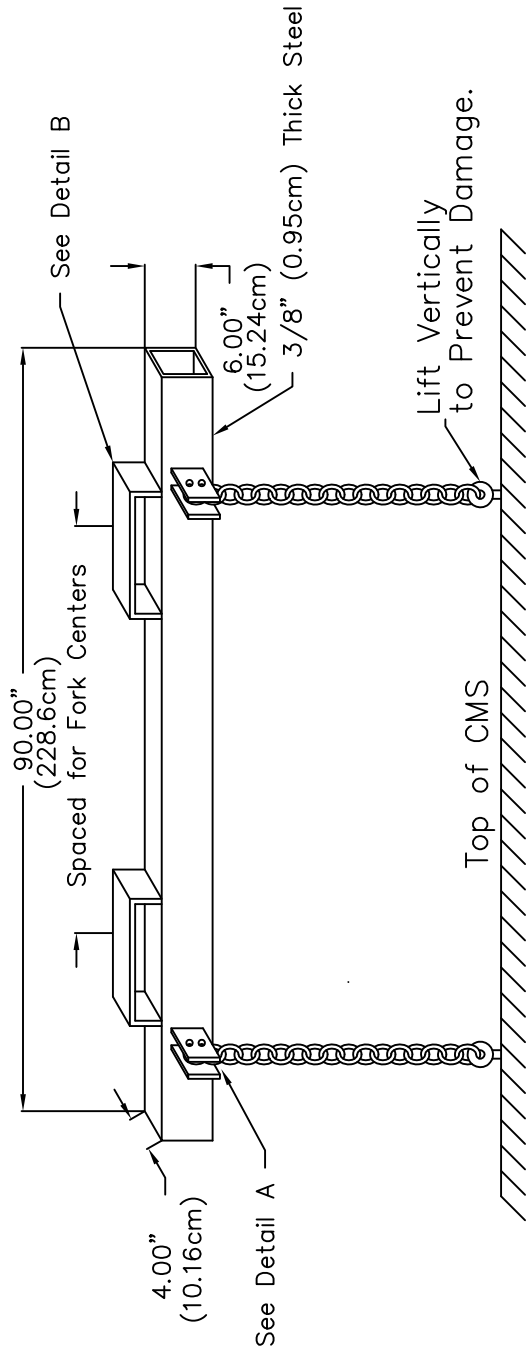


SIDE VIEW
(BOTH RACKS)

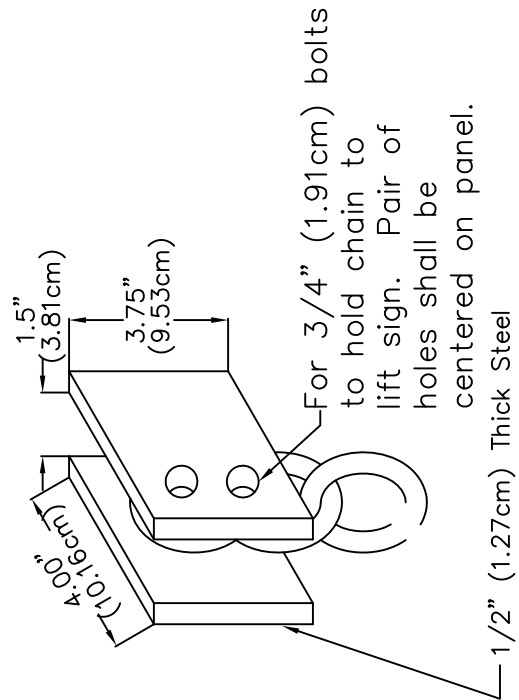


FRONT VIEW

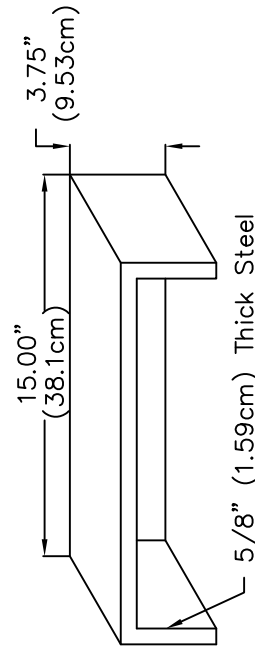
TITLE: MODEL 510 CMS SYSTEM CMS CONTROL COMPARTMENT MOUNTING DETAIL	
No Scale	
CMS 2020	A9-4



THIS BRACKET IS USED BY FOR LOADING AND UNLOADING OF MODEL 510 CMS USING A FORKLIFT. VARIATIONS MAY BE USED DEPENDING ON REQUIREMENTS OR CONSTRAINTS.



DETAIL A



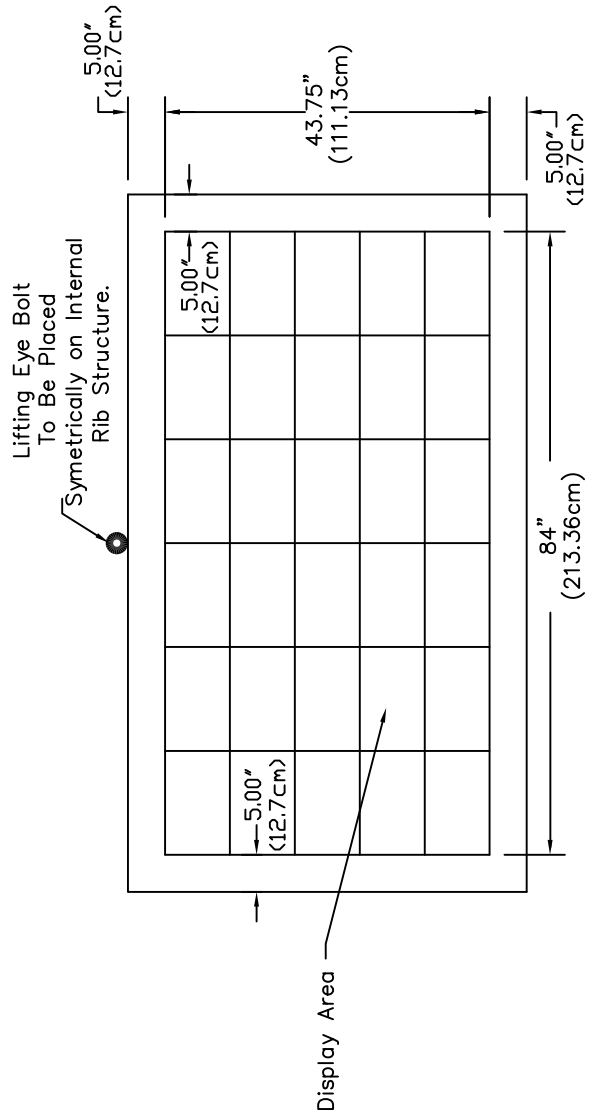
Bracket for Forklift Forks

DETAIL B

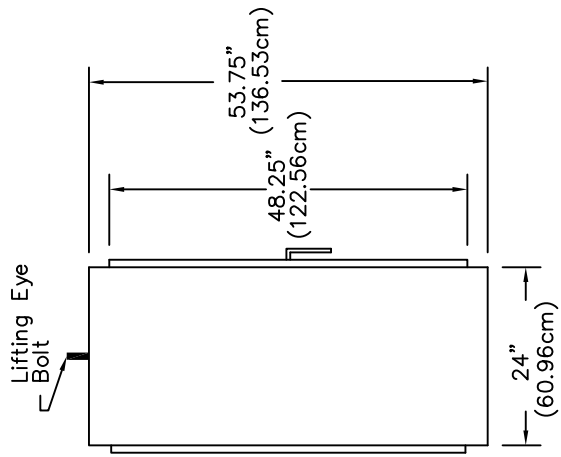
TITLE:	MODEL 510 CMS SYSTEM CMS LIFTING BRACKET	
	No Scale	
	CMS 2020	A9-5

APPENDIX A10
MODEL 520 CMS DETAILS

Sign Housing Details, Front and Side Views	A10-1
Sign Housing Details, Rear and Top Views	A10-2
Transformers to CIP Wiring Details	A10-3
Pixel Matrix Module, Front View	A10-4
CMS Control Compartment Mounting Details	A10-5
Pixel Matrix Module, Rear View	A10-6
CMS Shipping Pallet	A10-7

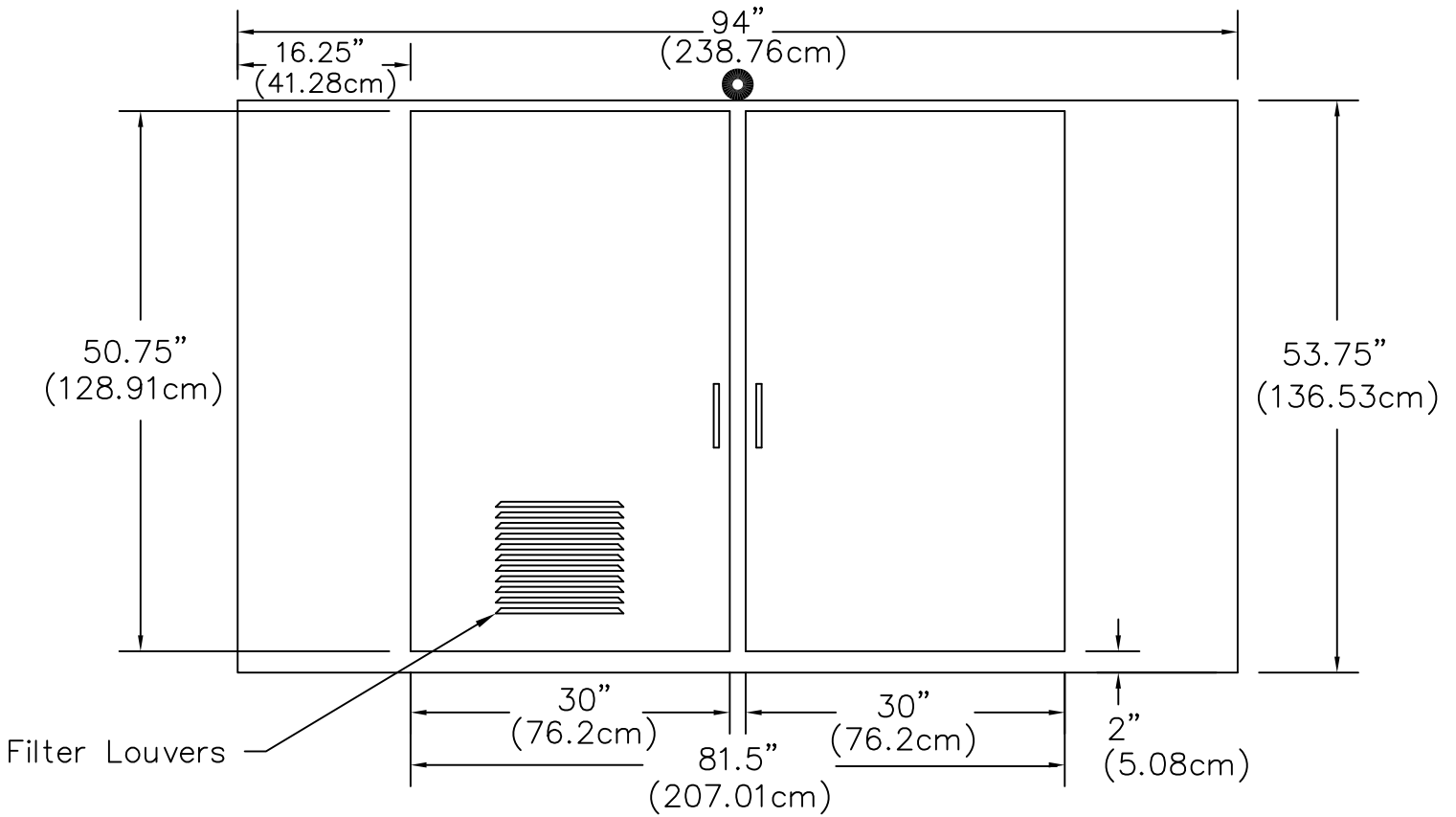


ELEVATION VIEW

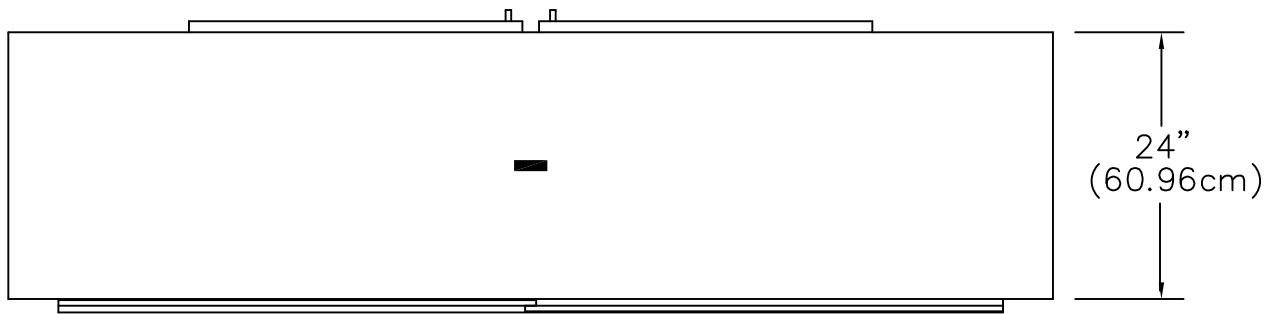


SIDE VIEW

Title: MODEL 520 CMS SYSTEM SYSTEM HOUSING DETAIL FRONT AND SIDE VIEWS	
No Scale	
CMS 2020	A10-1

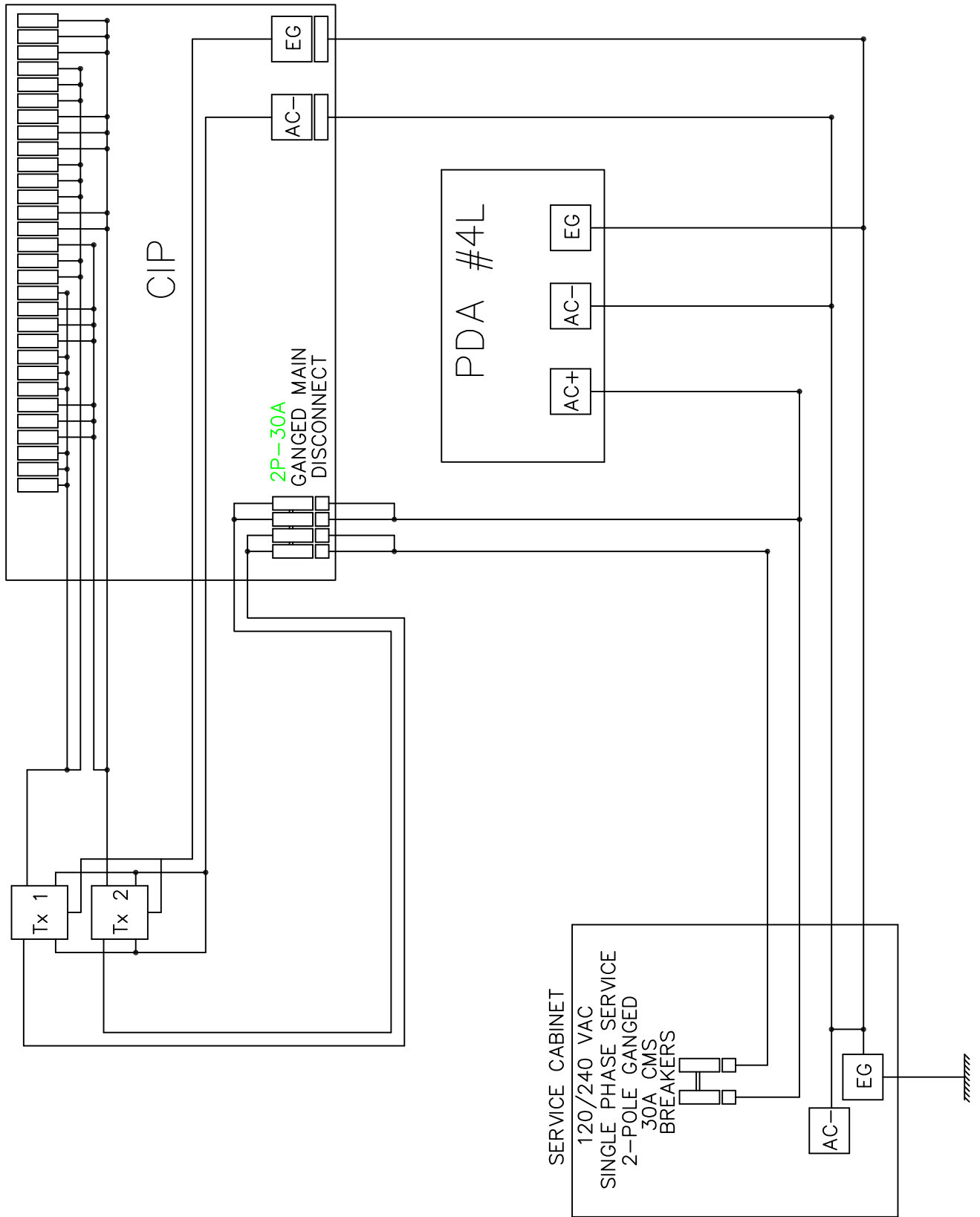


REAR VIEW

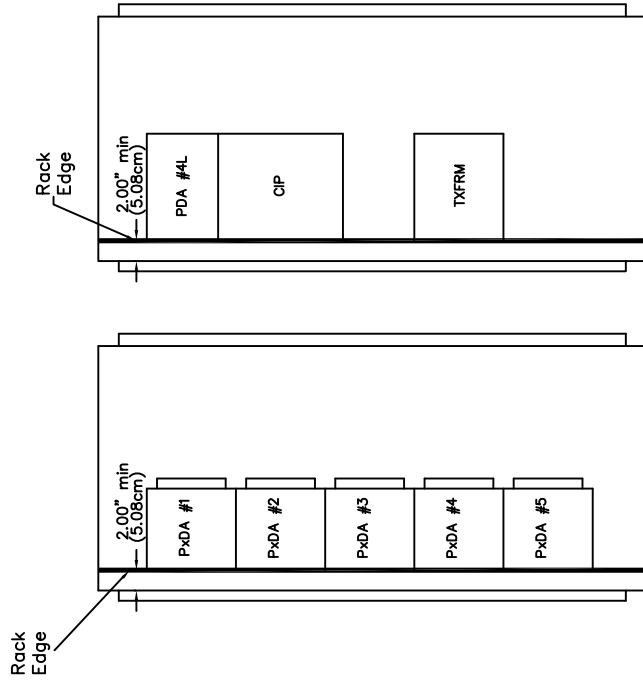


TOP VIEW

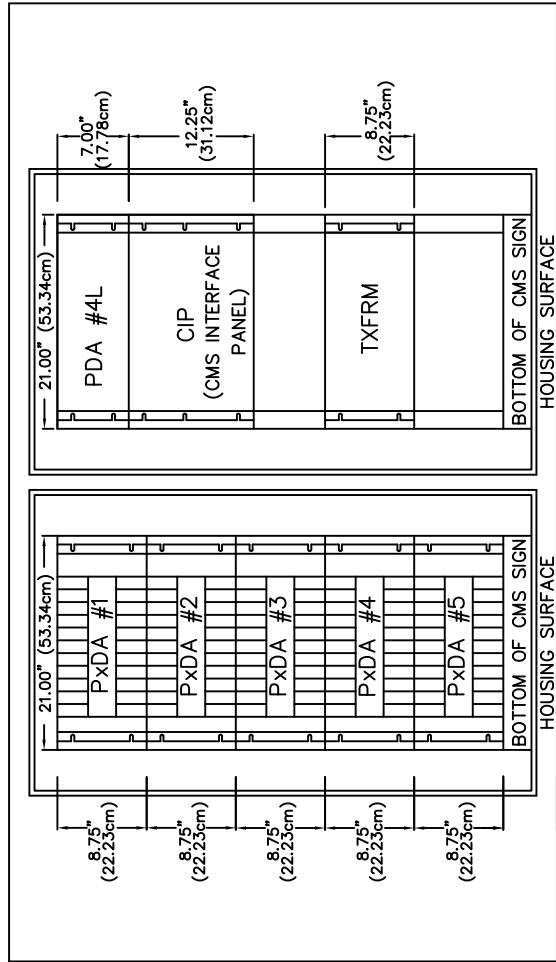
Title: MODEL 520 CMS SYSTEM SIGN HOUSING DETAIL REAR AND TOP VIEWS	
No Scale	
CMS 2020	A10-2



Title:	MODEL 520 CMS SYSTEM TRANSFORMERS TO CIP WIRING DETAIL	
No Scale		
CMS 2020		A10-3

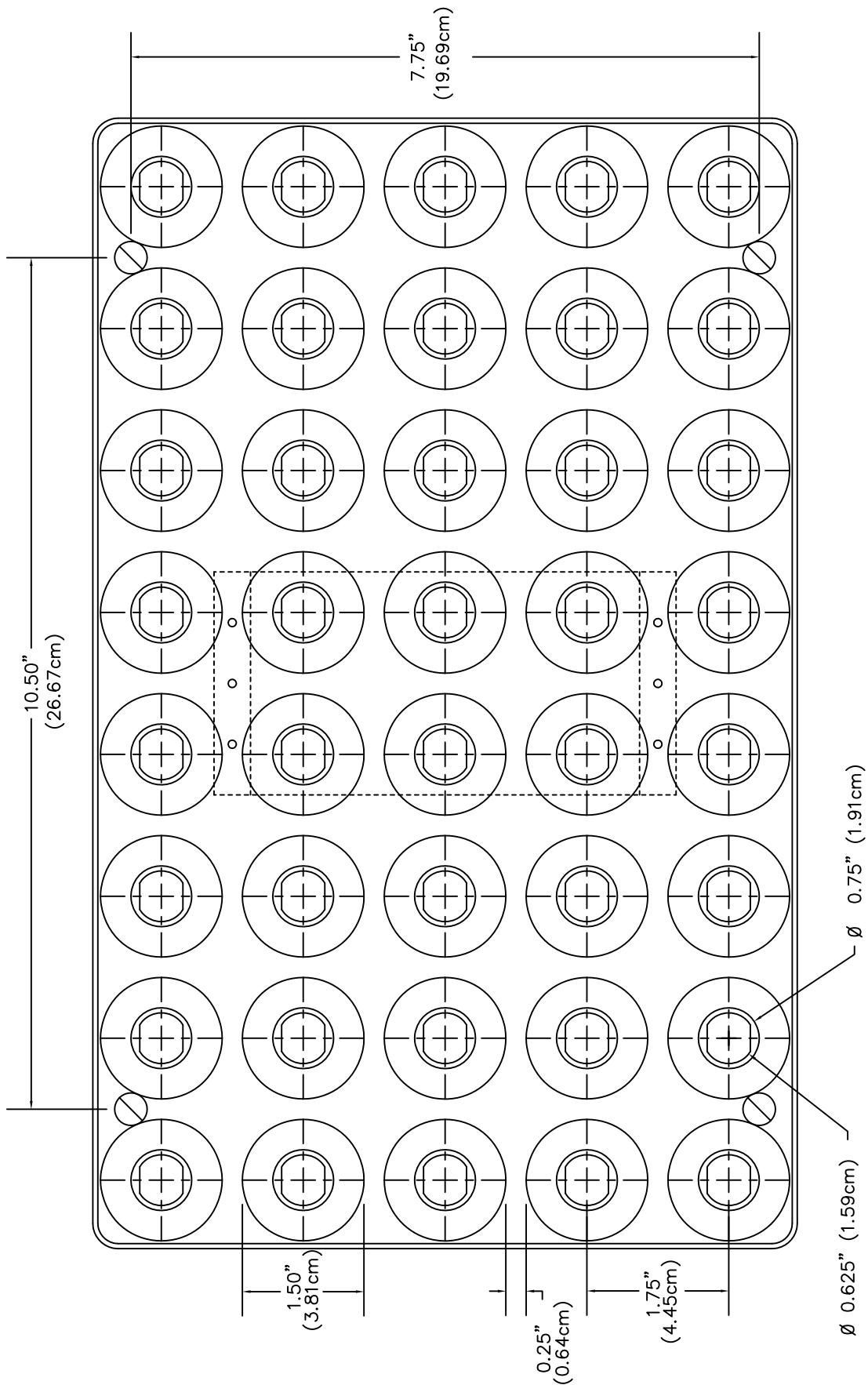


SIDE VIEW
(BOTH RACKS)



FRONT VIEW

Title: MODEL 520 CMS SYSTEM CMS CONTROL COMPARTMENT MOUNTING DETAIL	
No Scale	
CMS 2020	A10-4

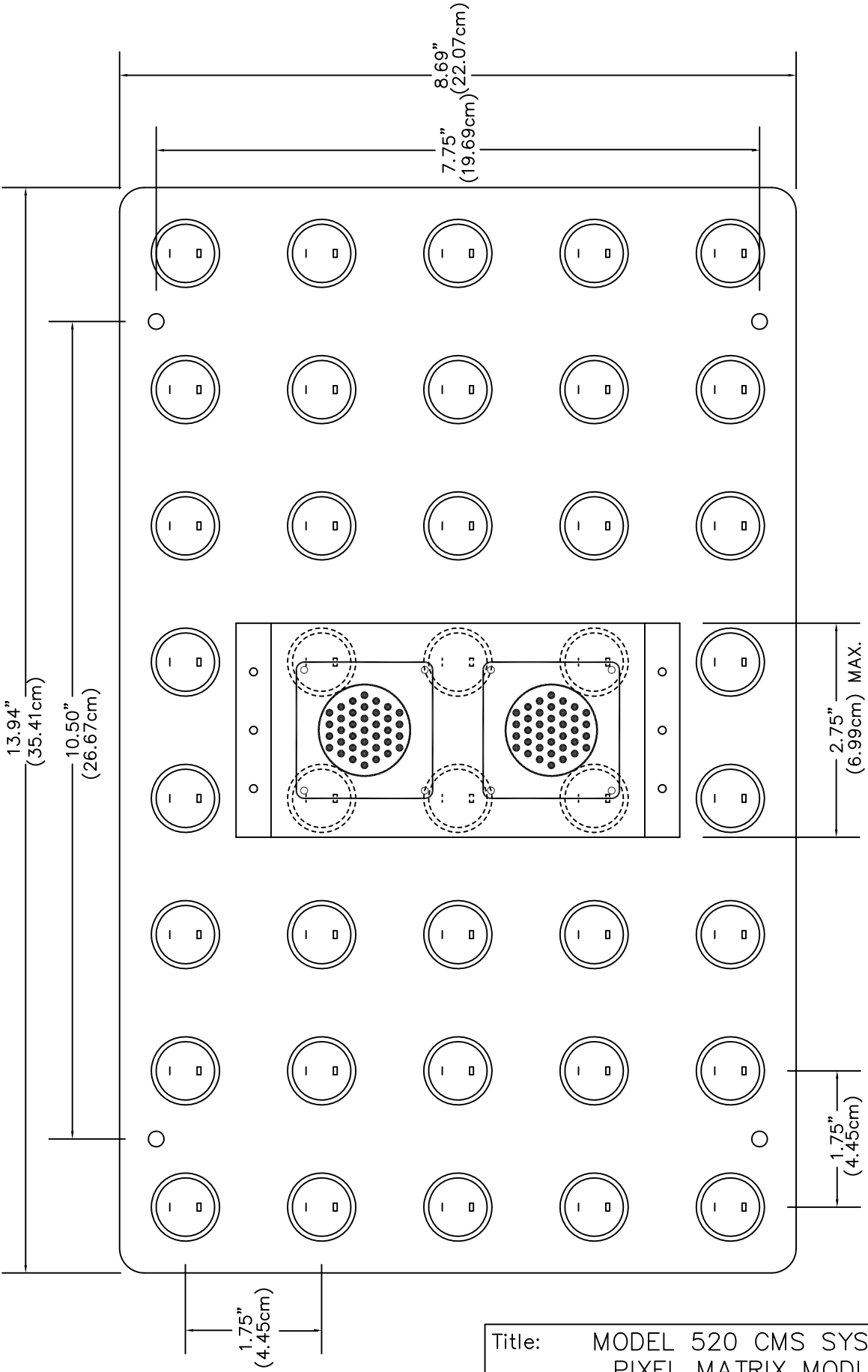


Title: MODEL 520 CMS SYSTEM
PIXEL MATRIX MODULE
FRONT VIEW

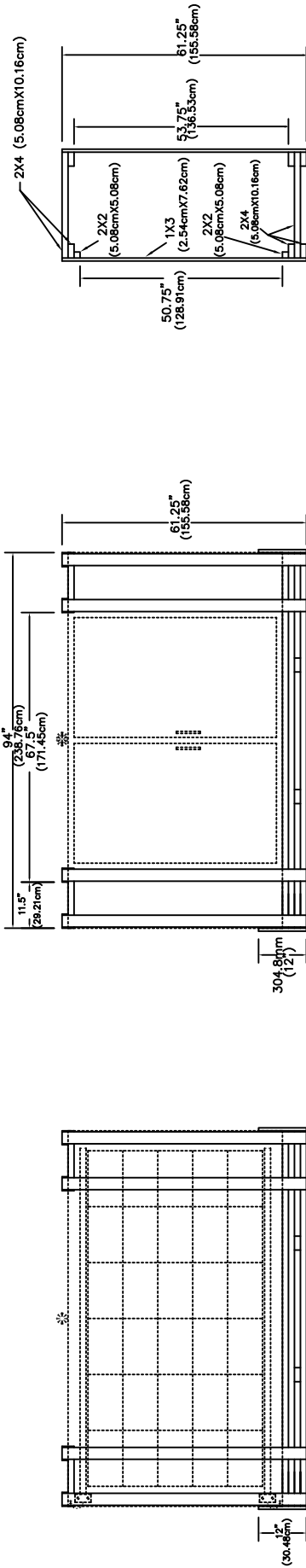
No Scale

CMS 2020

A10-5

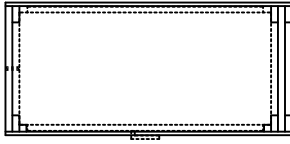


Title: MODEL 520 CMS SYSTEM PIXEL MATRIX MODULE REAR VIEW	
No Scale	
CMS 2020	A10-6

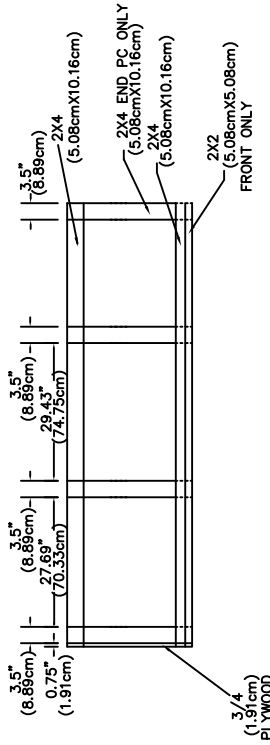


PALLET/SIGN, FRONT & REAR VIEW

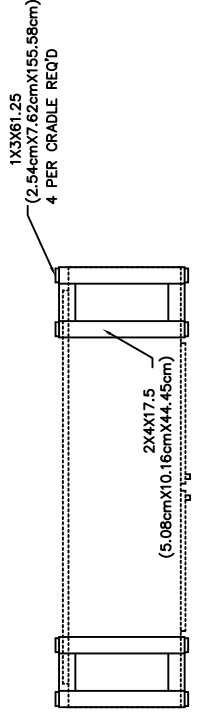
PALLET, SIDE VIEW



PALLET/SIGN, SIDE VIEW



PALLET, TOP VIEW



CRADLE/SIGN, TOP VIEW

NOTES:
 APPLY 0.125" (0.32cm) THICK WHITE MICRO FOAM GASKET TO ALL SURFACES WHICH CONTACT THE SIGN.

Title: MODEL 520 CMS SYSTEM SHIPPING PALLET DIMENSIONS	
No Scale	
CMS 2020	A10-7