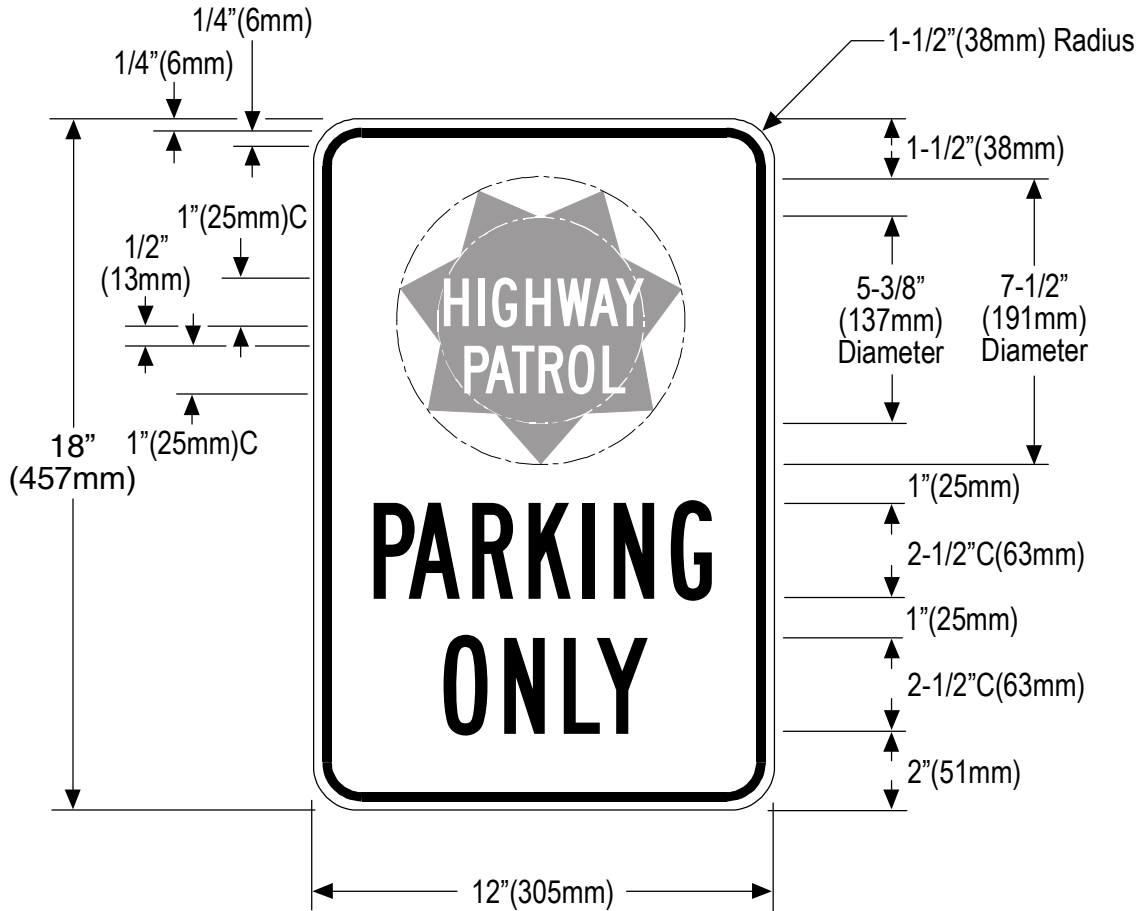
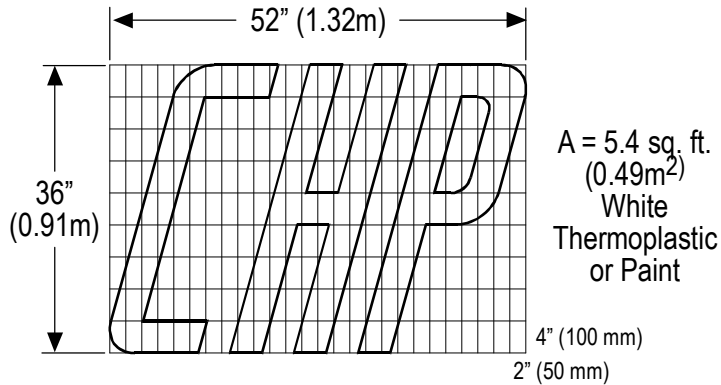


MUTCD NUMBER None

CODE S34



**Optional  
'CHP' Pavement Marking**



- COLORS**
- BORDER & LEGEND - GREEN (Reflective)**
  - BACKGROUND - WHITE (Reflective)**
  - STAR (Symbol) - BLUE (Reflective)**
  - LEGEND (Within Star) - WHITE (Reflective)**

- THE POLICY FOR INTENDED USAGE OF THIS SIGN IS SHOWN ON REVERSE SIDE -

*Gerry Kreis*  
CHIEF, OFFICE OF SIGNS AND DELINEATION

3/21/03

DATE

REVISION

REVISION