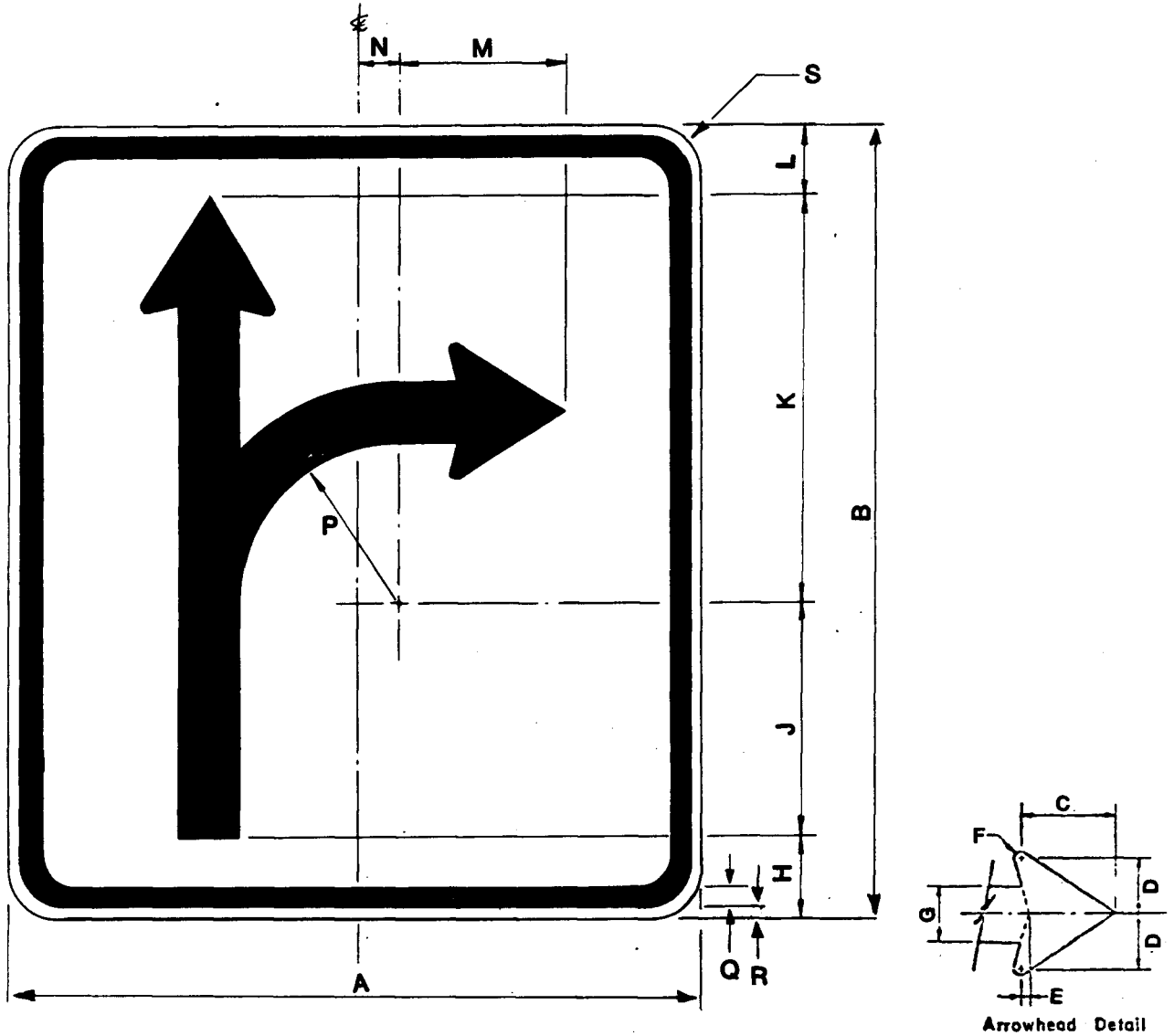


MUTCD NUMBER **R3-6**

CODE **R60A**
(Rt. or Lt.)



SIGN	DIMENSIONS (INCHES)																
	A	B	C	D	E	F	G	H	J	K	L	M	N	P	Q	R	S
STANDARD	42	48	6 1/2	3 3/4	1/2	3/4	3 1/2	4	14	25	5	10	3	9 1/2	1 1/4	3/4	3

COLOR
BORDER & LEGEND-BLACK
BACKGROUND - WHITE (REFL)

- THE POLICY FOR INTENDED USAGE OF THIS SIGN IS SHOWN ON THE REVERSE SIDE -

CRBanta

6/17/87

CHIEF, DIVISION OF TRAFFIC ENGINEERING

DATE

REVISION

REVISION